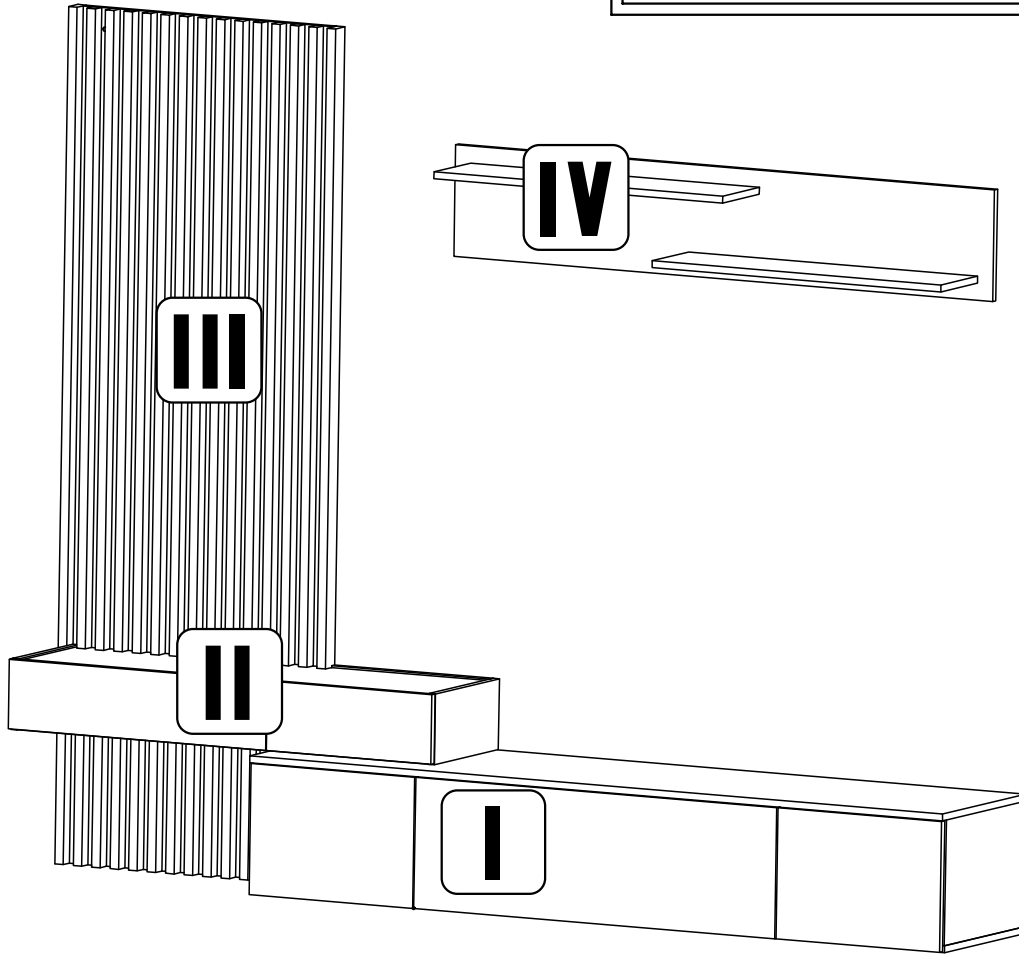
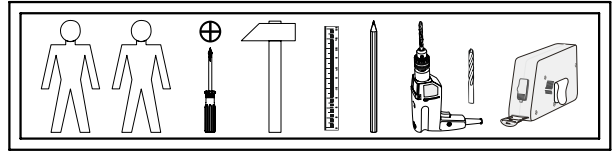
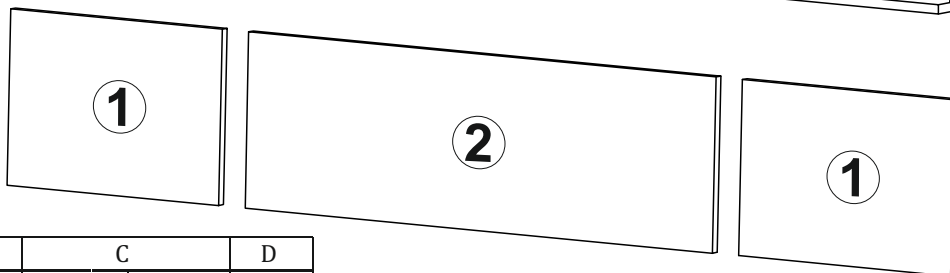
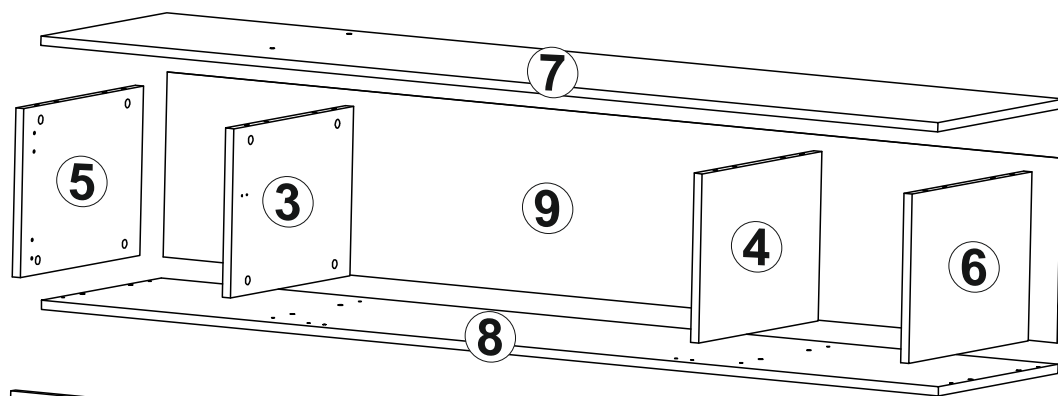


# Ребека плюс / Rebeка Plus



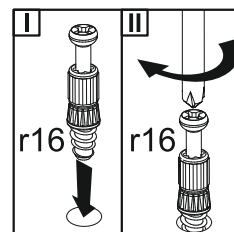
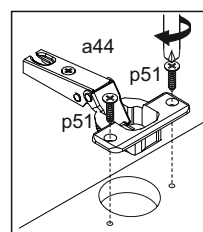
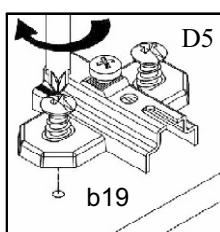
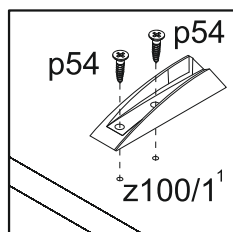
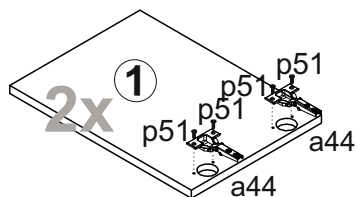
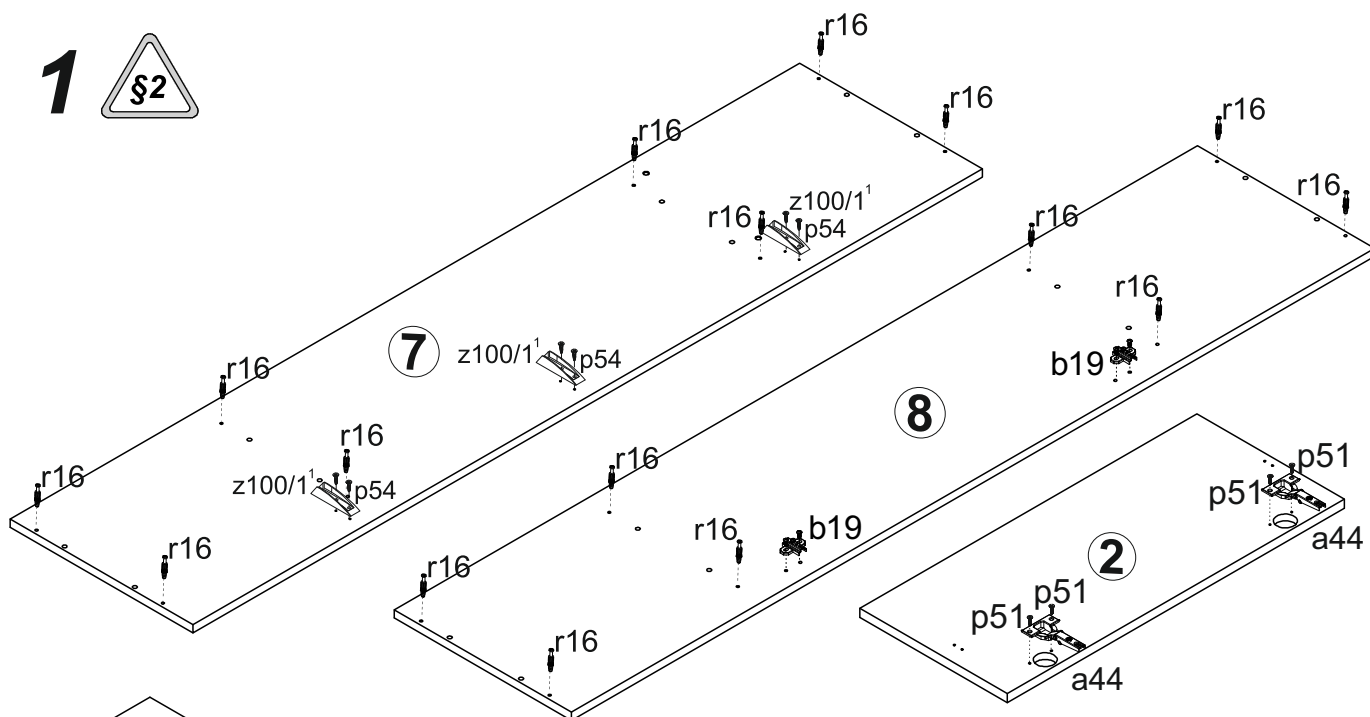
|  |  |   |   |  |  |
|--|--|---|---|--|--|
| 6x<br><br>k0<br><b>a44</b>                     | 6x<br><br>D5<br><b>b19</b>                         | 18x<br><br>$\phi 7 \times 50$ mm<br><b>e1</b> | 2x<br><br><b>k1</b>                               | 12x<br><br>$\phi 3,5 \times 15$ mm<br><b>p51</b> | 24x<br><br>$\phi 16$<br><b>s2</b>              |
| 30x<br><br>$\phi 8 \times 30$ mm<br><b>f1</b>  | 35x<br><br>$\phi 15 \times 12$ mm #16<br><b>r1</b> | 35x<br><br>20/9<br><b>r16</b>                 | 12x<br><br>$\phi 3,5 \times 12$ mm<br><b>p140</b> | 50x<br><br><b>l1</b>                             | 10x<br><br>$\phi 5 \times 50$ mm<br><b>e32</b> |
| 2x<br><br>L-230<br><b>m48</b>                  | 8x<br><br>$\phi 3,5 \times 13$ mm<br><b>p1</b>     | 12x<br><br>$\phi 6 \times 13$ mm<br><b>e3</b> | 4x<br><br>$\phi 5 \times 11$ mm<br><b>e4</b>      | 1x<br><br><b>z1</b>                              | 2x<br><br>$\phi 7 \times 35$ mm<br><b>e26</b>  |
| 6x<br><br>60x60x25 mm<br><b>k55</b>            | 4x<br><br>300mm<br><b>w206<sup>1</sup></b>         | 4x<br><br>300mm<br><b>w206<sup>2</sup></b>    | 9x<br><br>$\phi 3 \times 12$ mm<br><b>p54</b>     | 3x<br><br><b>z100/1<sup>1</sup></b>              | 3x<br><br><b>z100/1<sup>2</sup></b>            |
| 12x<br><br>$\phi 4 \times 35$ mm<br><b>p6</b>  | 2x<br><br>$\phi 20$<br>самоклейка<br><b>s100</b>   | 2x<br><br><b>g2</b>                           | 3x<br><br><b>z100/1<sup>3</sup></b>               | 3x<br><br><b>z100/1<sup>4</sup></b>              |  |
| 2x<br><br>$\phi 6,3 \times 13$ mm<br><b>e2</b> |  |   |   |  |  |

# I



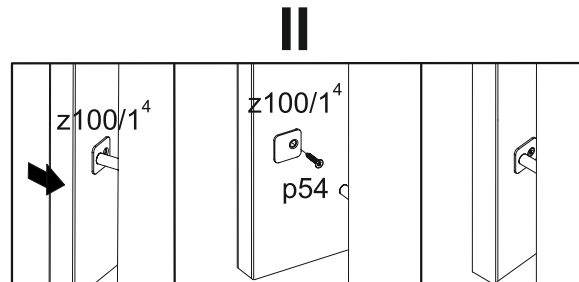
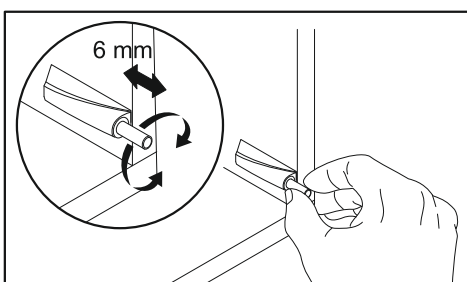
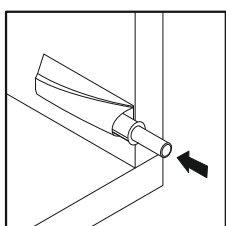
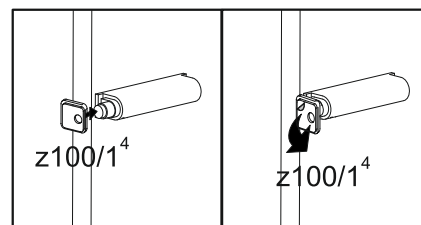
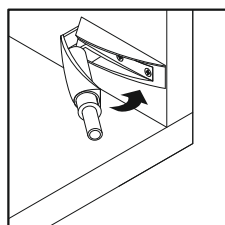
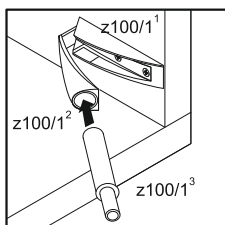
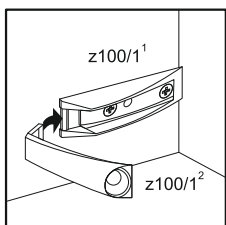
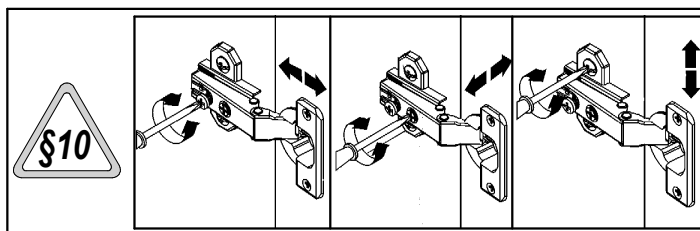
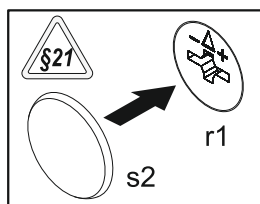
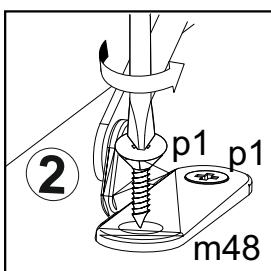
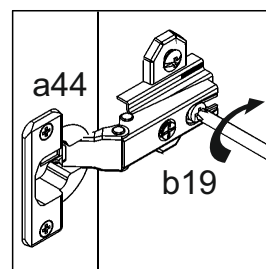
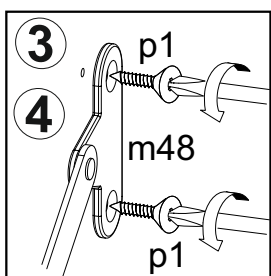
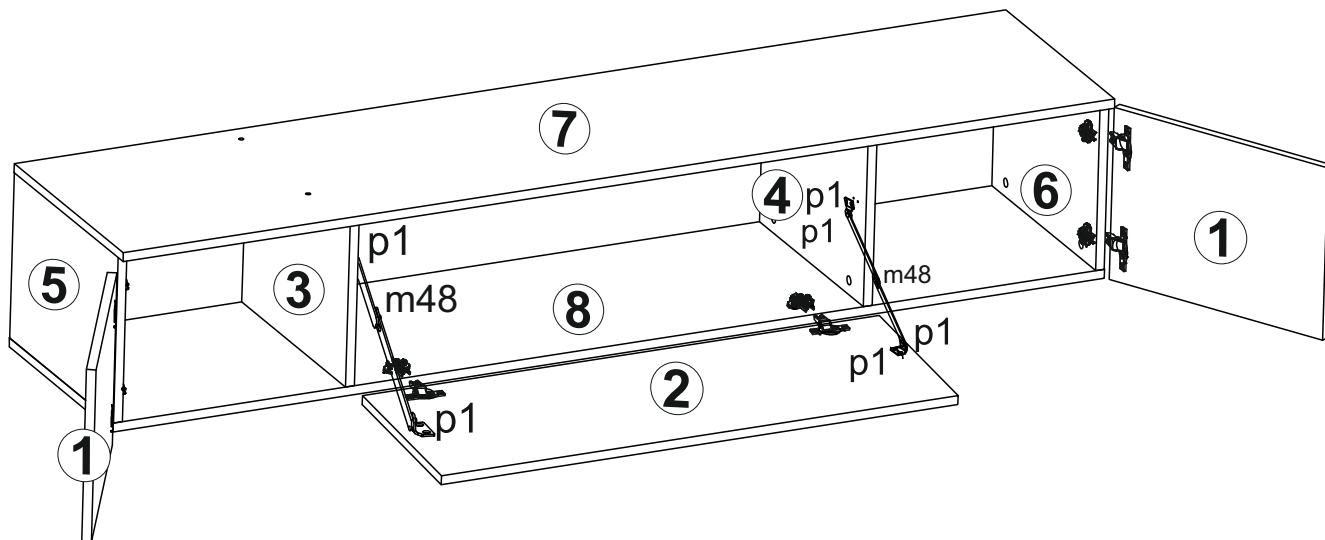
| A | B       | C    | D   |     |
|---|---------|------|-----|-----|
| 1 | RB2-007 | 425  | 299 | 2/3 |
| 2 | RB2-008 | 938  | 299 | 2/3 |
| 3 | RB2-111 | 287  | 397 | 2/3 |
| 4 | RB2-112 | 287  | 397 | 2/3 |
| 5 | RB2-109 | 287  | 397 | 2/3 |
| 6 | RB2-110 | 287  | 397 | 2/3 |
| 7 | RB2-205 | 1800 | 422 | 2/3 |
| 8 | RB2-204 | 1800 | 397 | 2/3 |
| 9 | RB2-904 | 1794 | 320 | 2/3 |

# 1



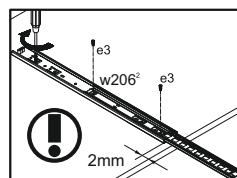
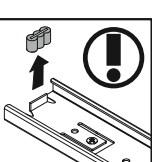
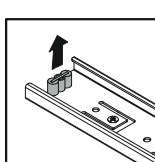
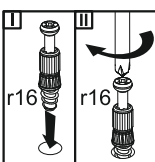
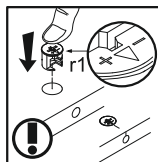
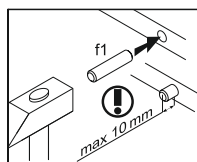
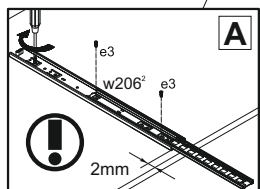
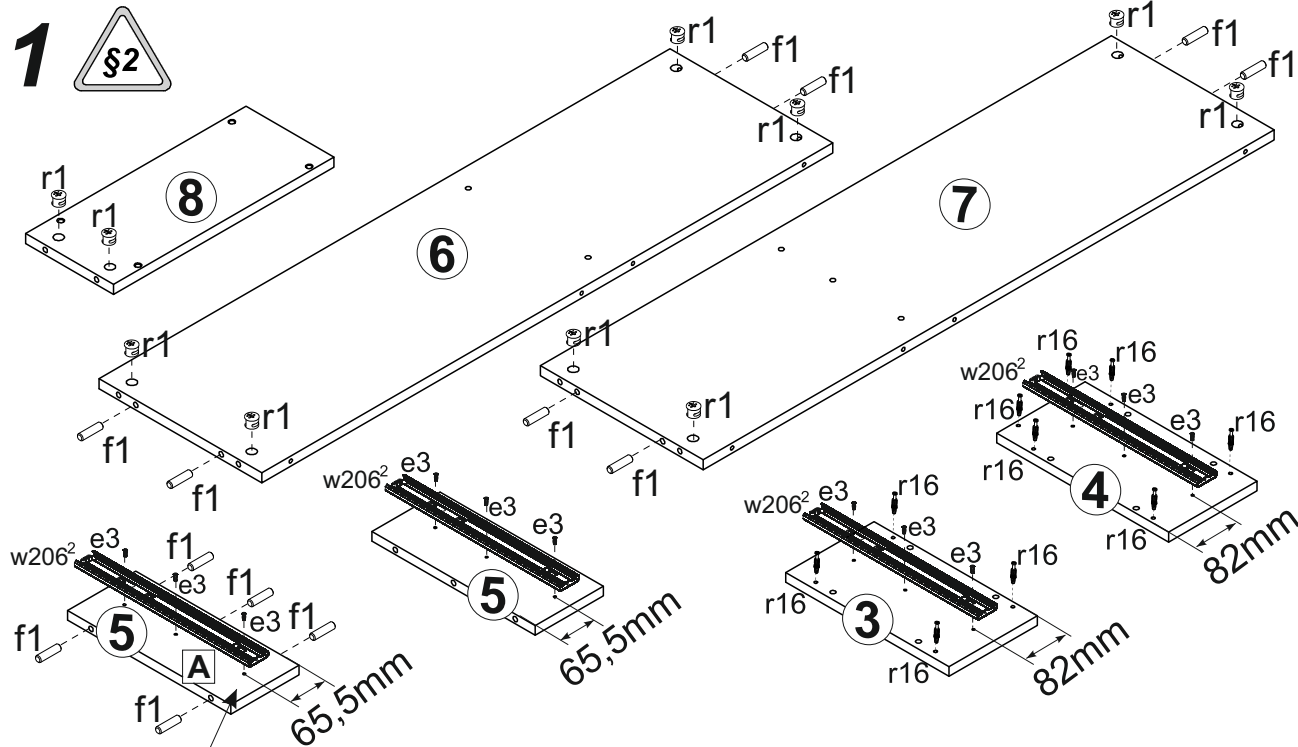
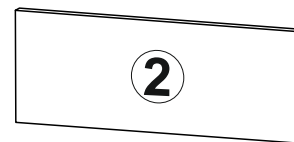
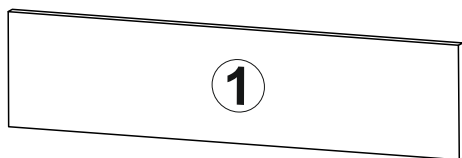
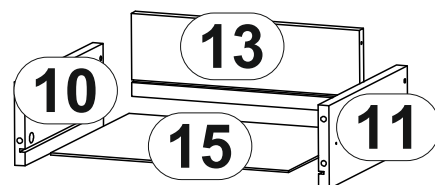
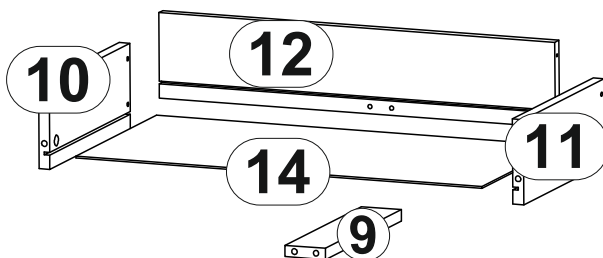
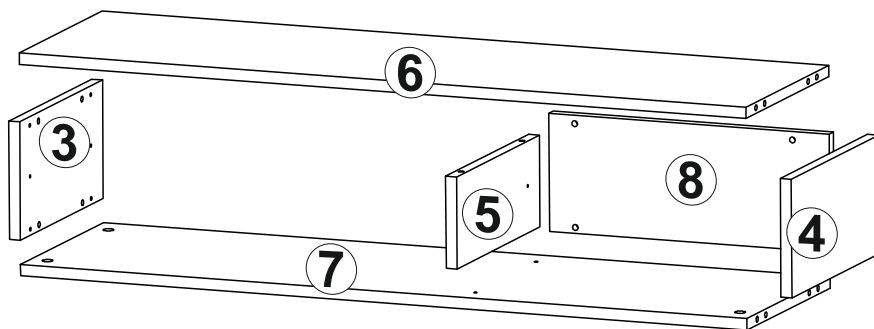


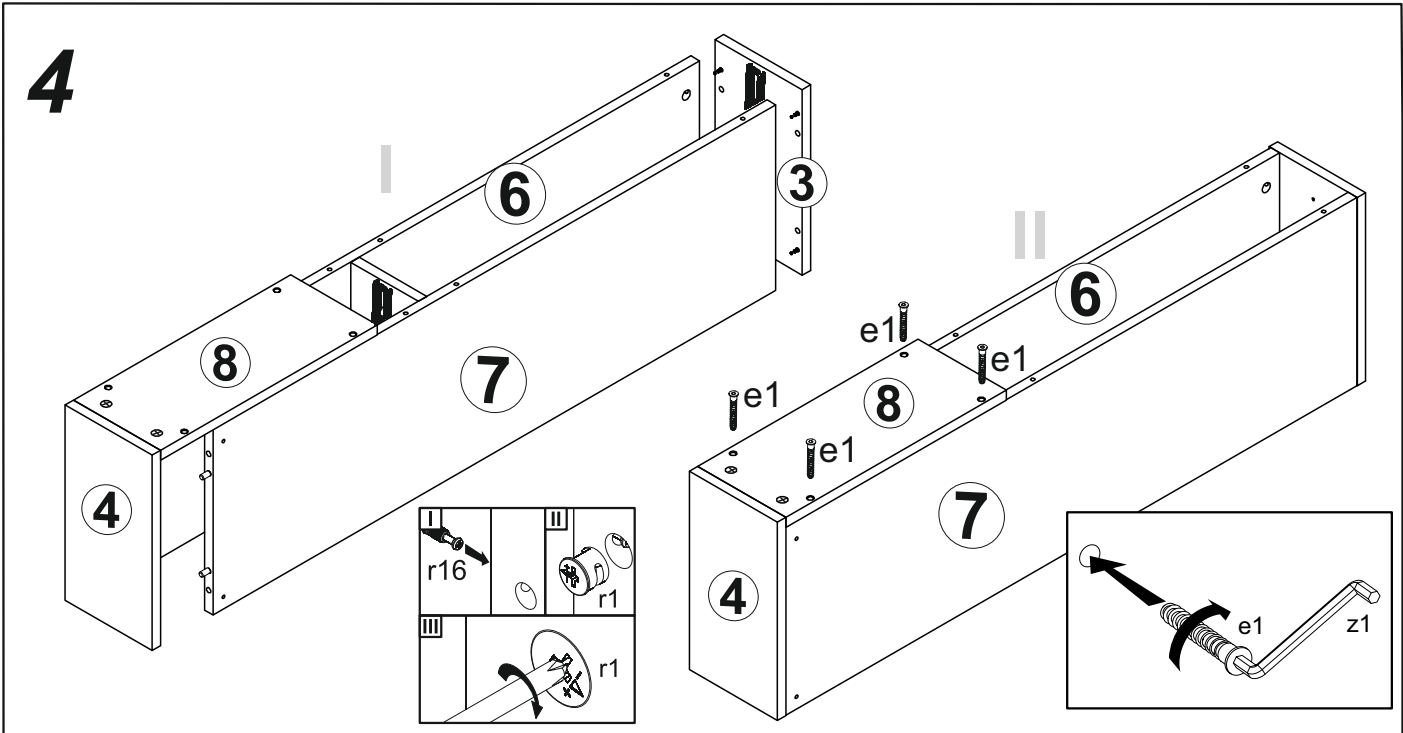
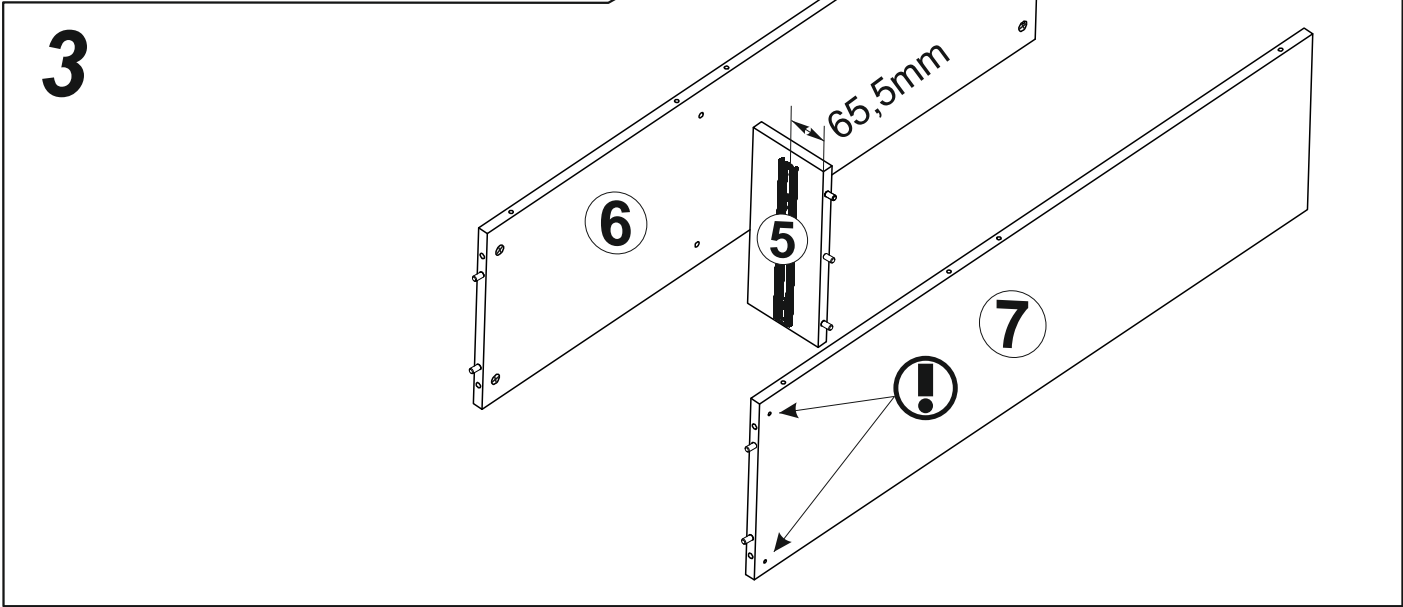
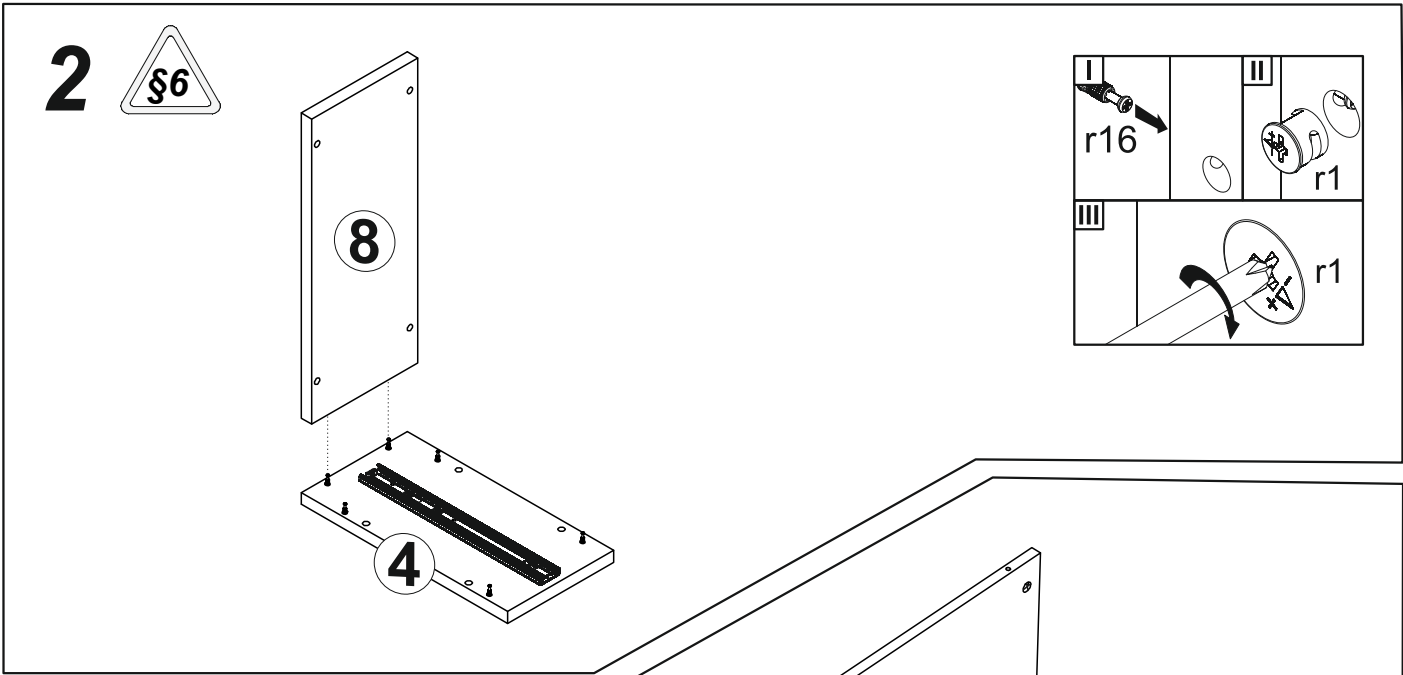
# 5



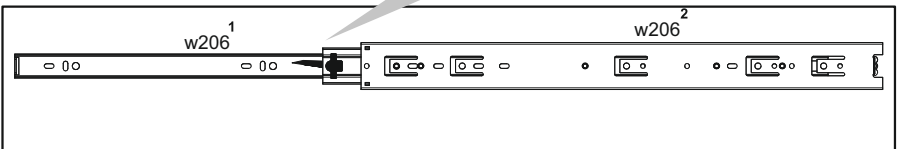
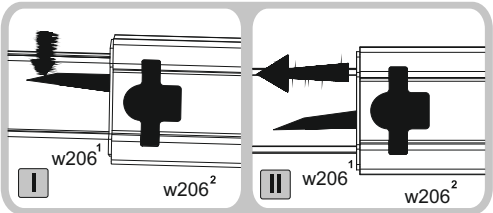
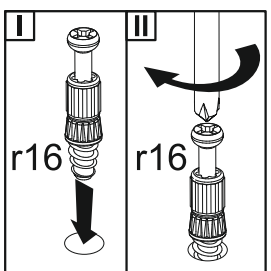
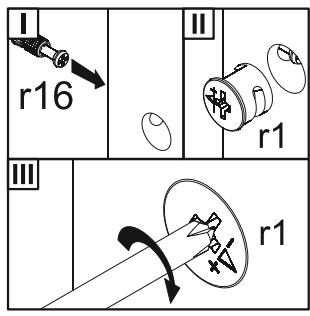
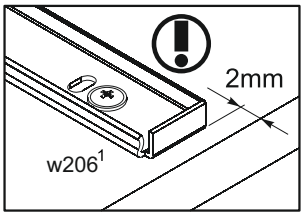
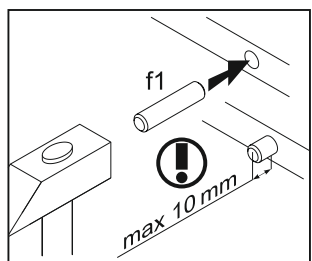
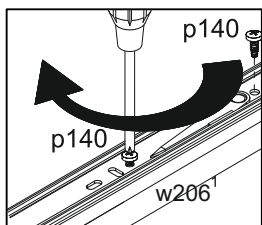
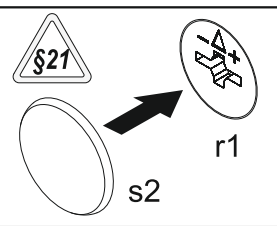
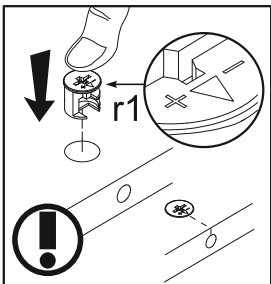
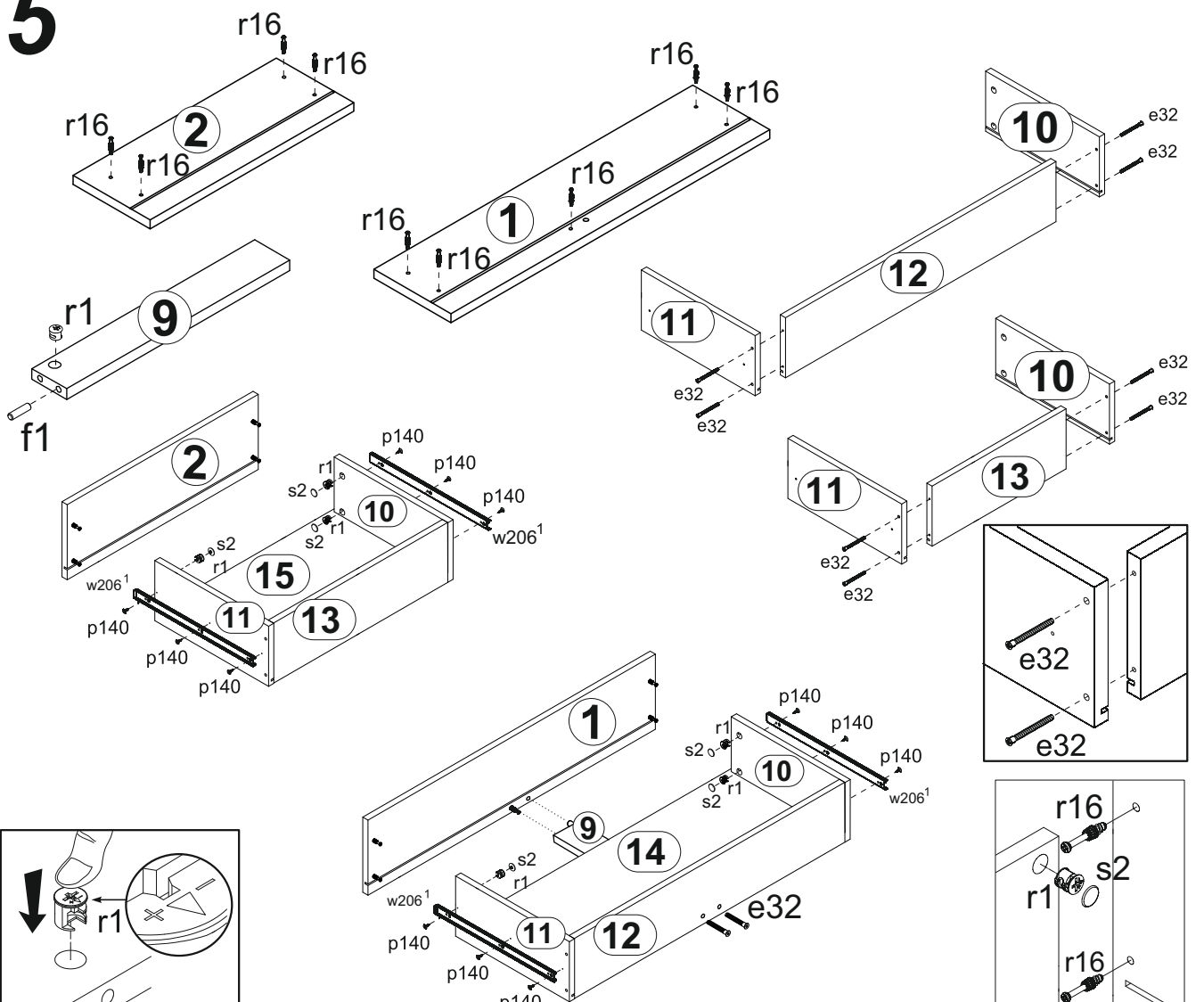
# II

| A  | B       | C    | D   |     |
|----|---------|------|-----|-----|
| 1  | RB2-001 | 669  | 161 | 3/3 |
| 2  | RB2-002 | 427  | 161 | 3/3 |
| 3  | RB2-101 | 305  | 165 | 3/3 |
| 4  | RB2-102 | 321  | 165 | 3/3 |
| 5  | RB2-103 | 305  | 128 | 3/3 |
| 6  | RB2-301 | 1068 | 305 | 3/3 |
| 7  | RB2-302 | 1068 | 305 | 3/3 |
| 8  | RB2-401 | 412  | 165 | 3/3 |
| 9  | RB2-402 | 283  | 60  | 3/3 |
| 10 | RB2-551 | 300  | 120 | 3/3 |
| 11 | RB2-552 | 300  | 120 | 3/3 |
| 12 | RB2-553 | 588  | 120 | 3/3 |
| 13 | RB2-554 | 348  | 120 | 3/3 |
| 14 | RB2-901 | 299  | 603 | 3/3 |
| 15 | RB2-902 | 299  | 363 | 3/3 |





# 5

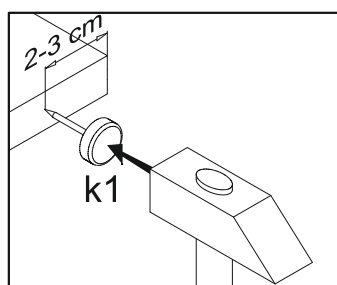
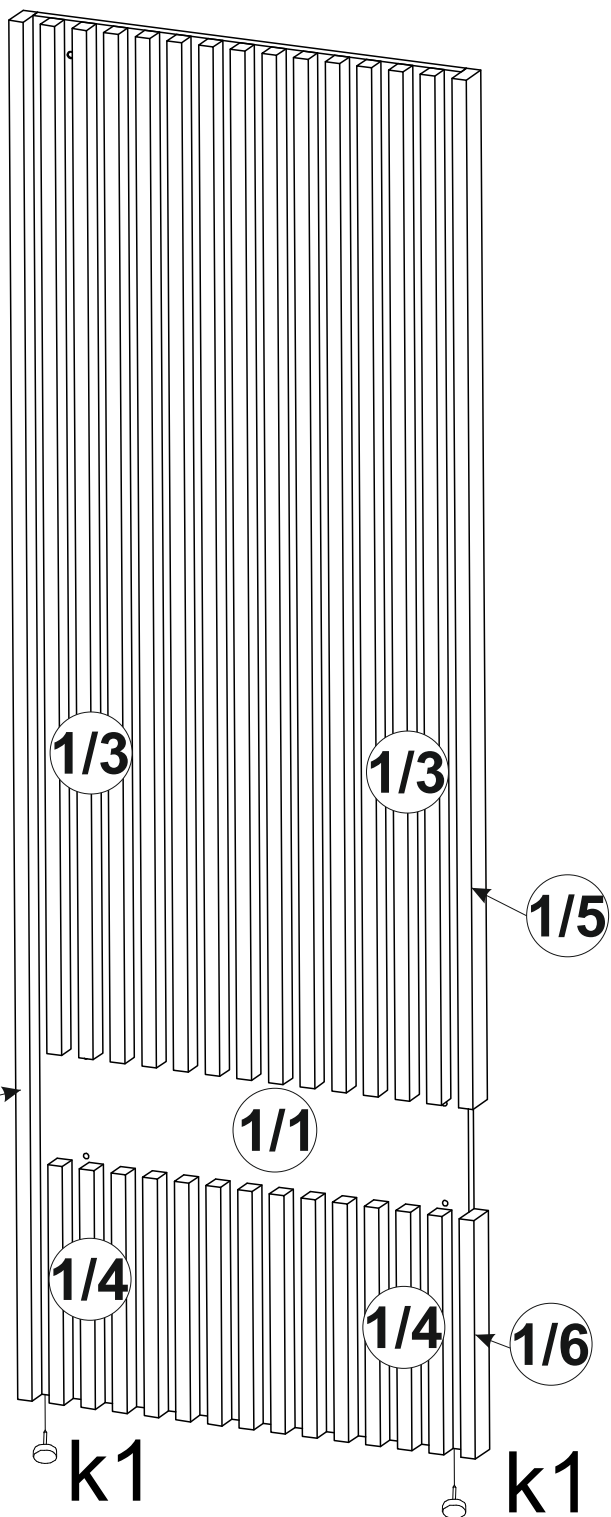




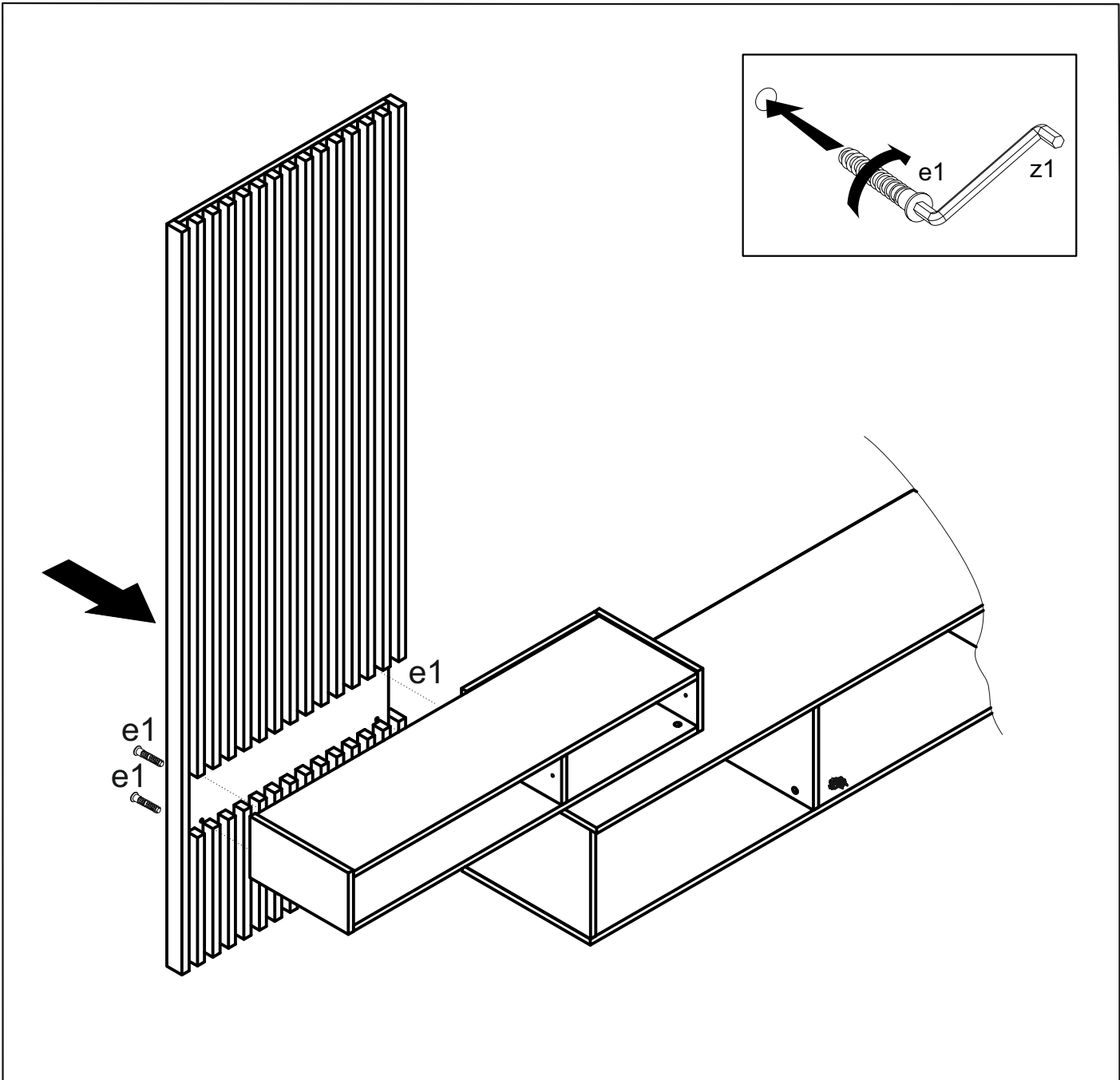
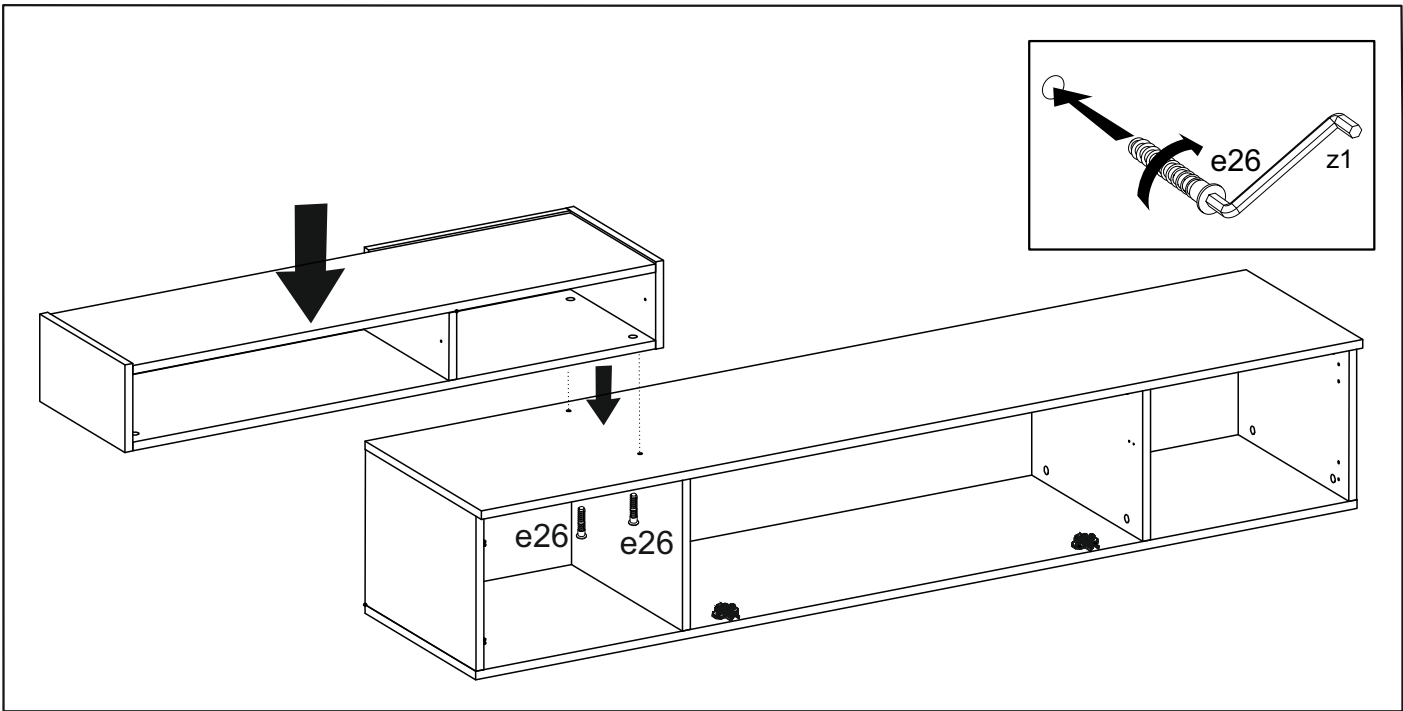
| A | B        | C    |     | D   |
|---|----------|------|-----|-----|
| 1 | RB2- 501 | 1995 | 694 | 1/3 |

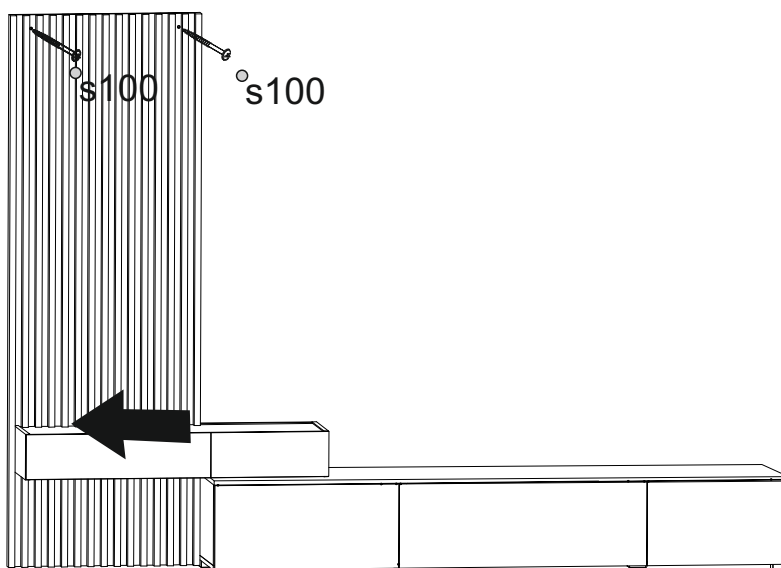
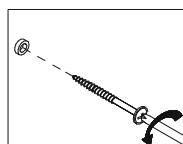
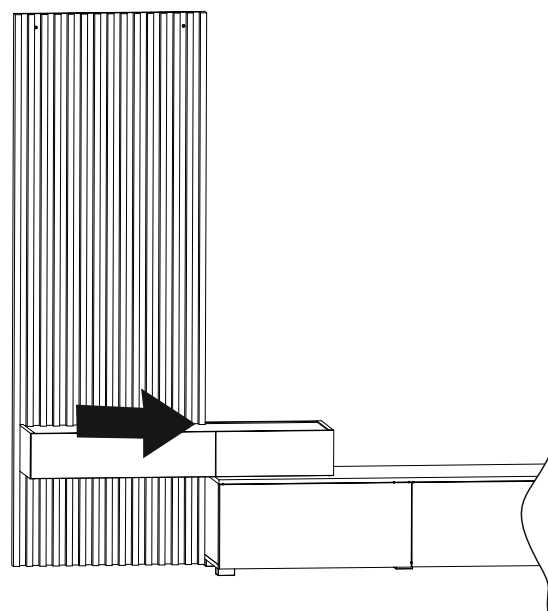
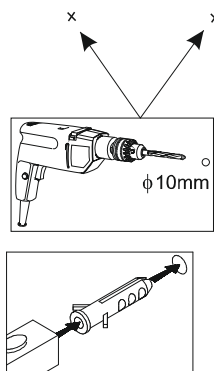
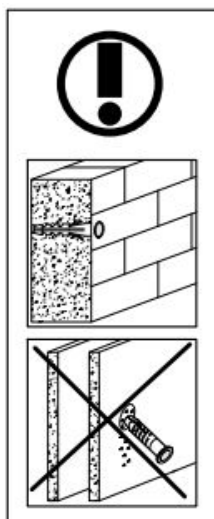
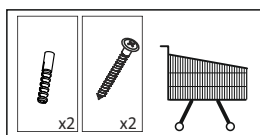
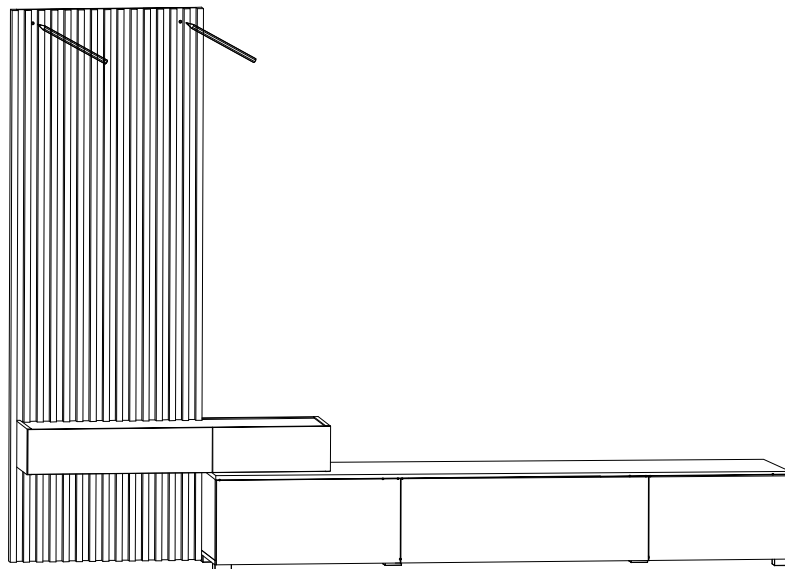


|     |          |      |     |     |
|-----|----------|------|-----|-----|
| 1/1 | RB2- 403 | 1995 | 650 | 1/3 |
| 1/2 | RB2- 404 | 1995 | 47  | 1/3 |
| 1/3 | RB2- 405 | 1488 | 31  | 1/3 |
| 1/4 | RB2- 406 | 345  | 31  | 1/3 |
| 1/5 | RB2- 407 | 1488 | 47  | 1/3 |
| 1/6 | RB2- 408 | 345  | 47  | 1/3 |



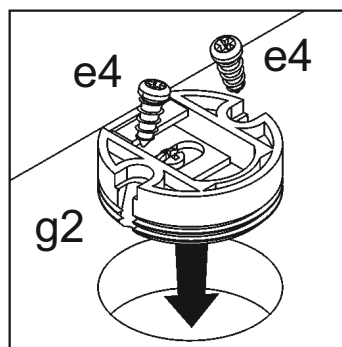
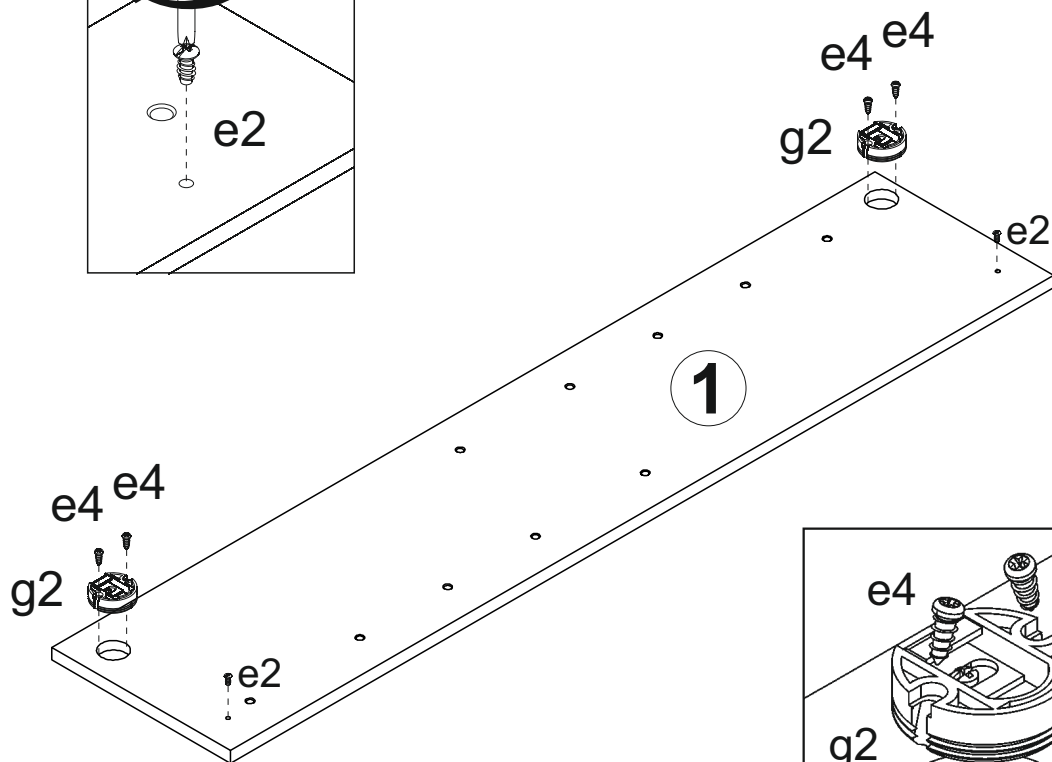
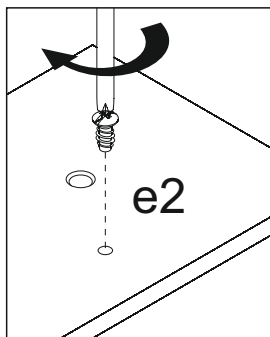
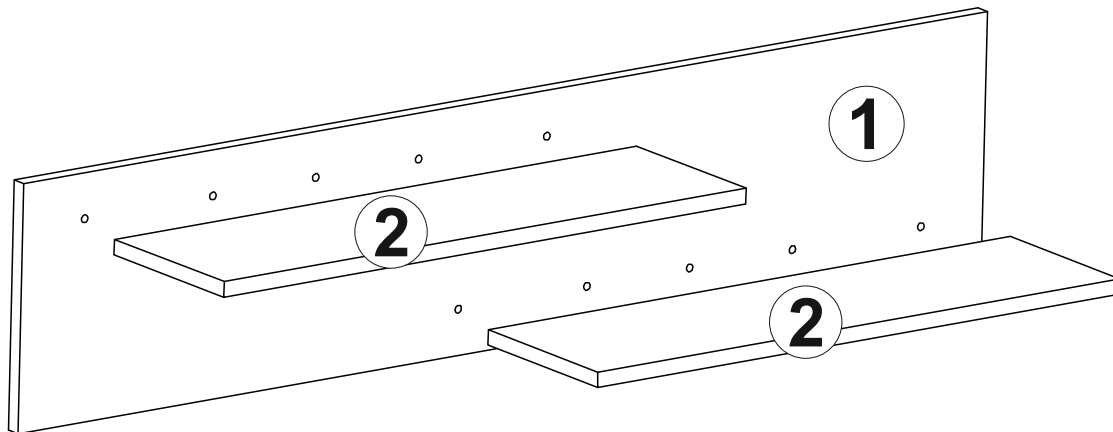




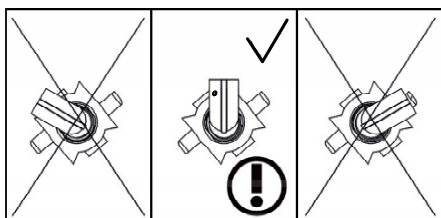
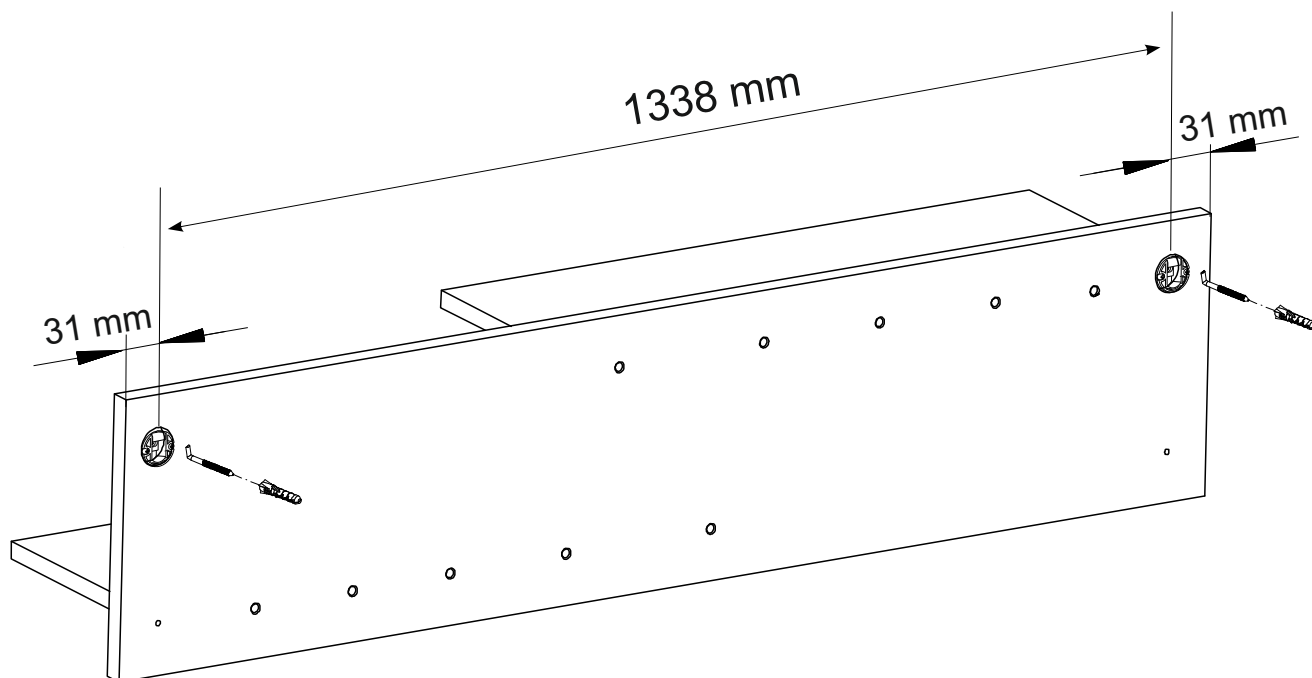
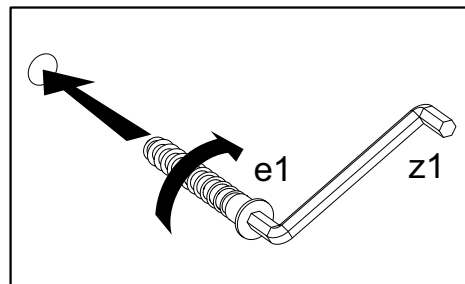
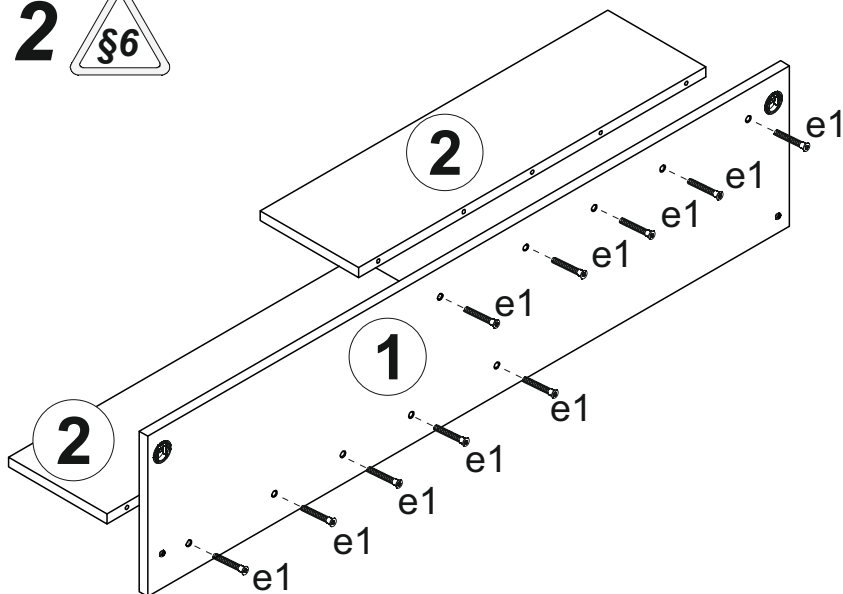


# IV

| A | B        | C    |     | D   |
|---|----------|------|-----|-----|
| 1 | RB2 -410 | 1400 | 260 | 2/3 |
| 2 | RB2 -304 | 750  | 184 | 3/3 |



2 §6



§10

