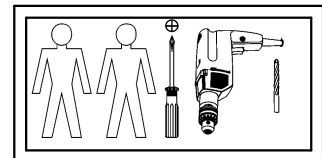
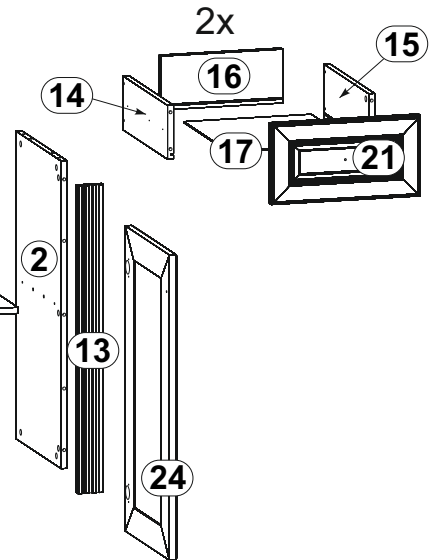
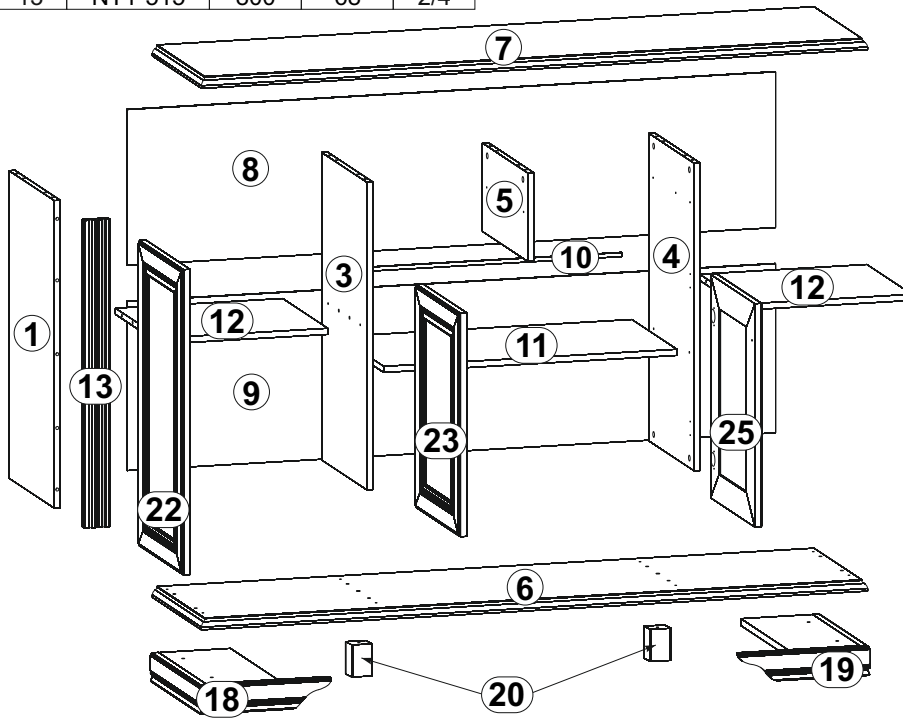
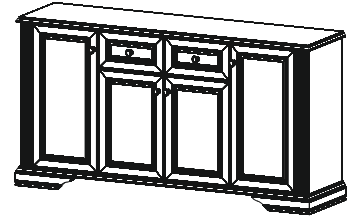
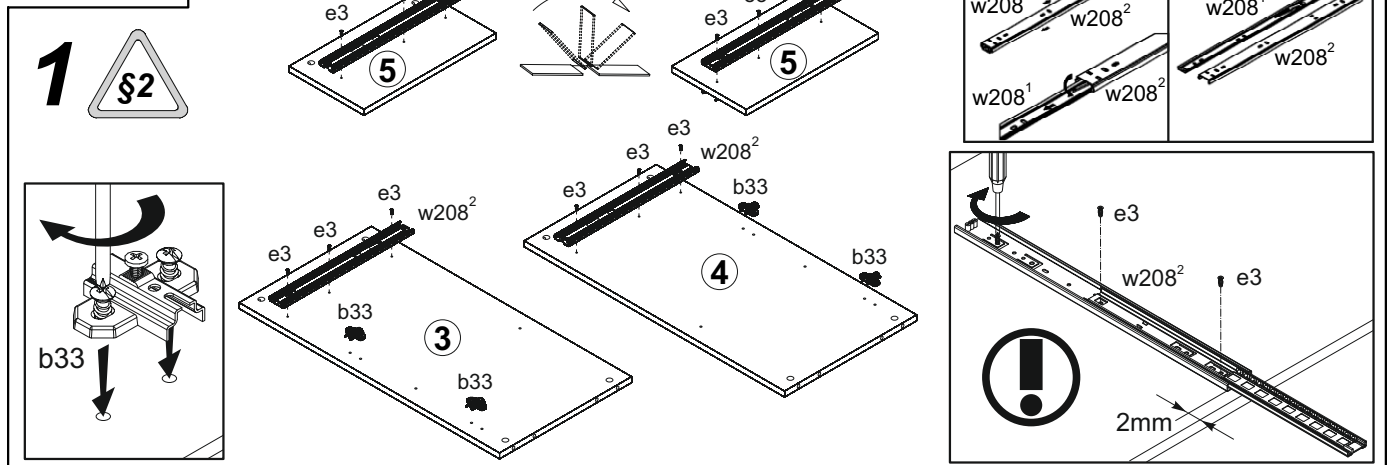
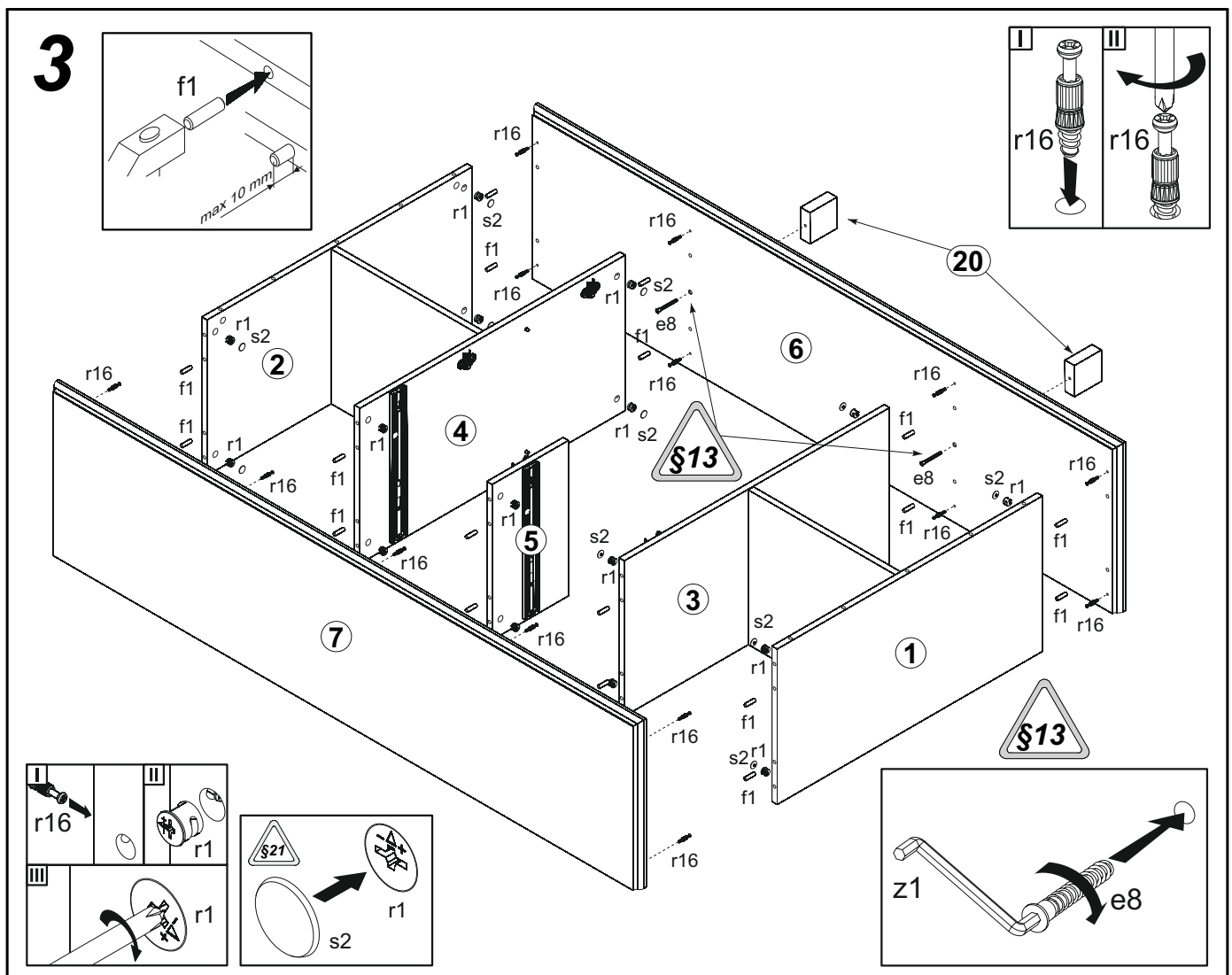
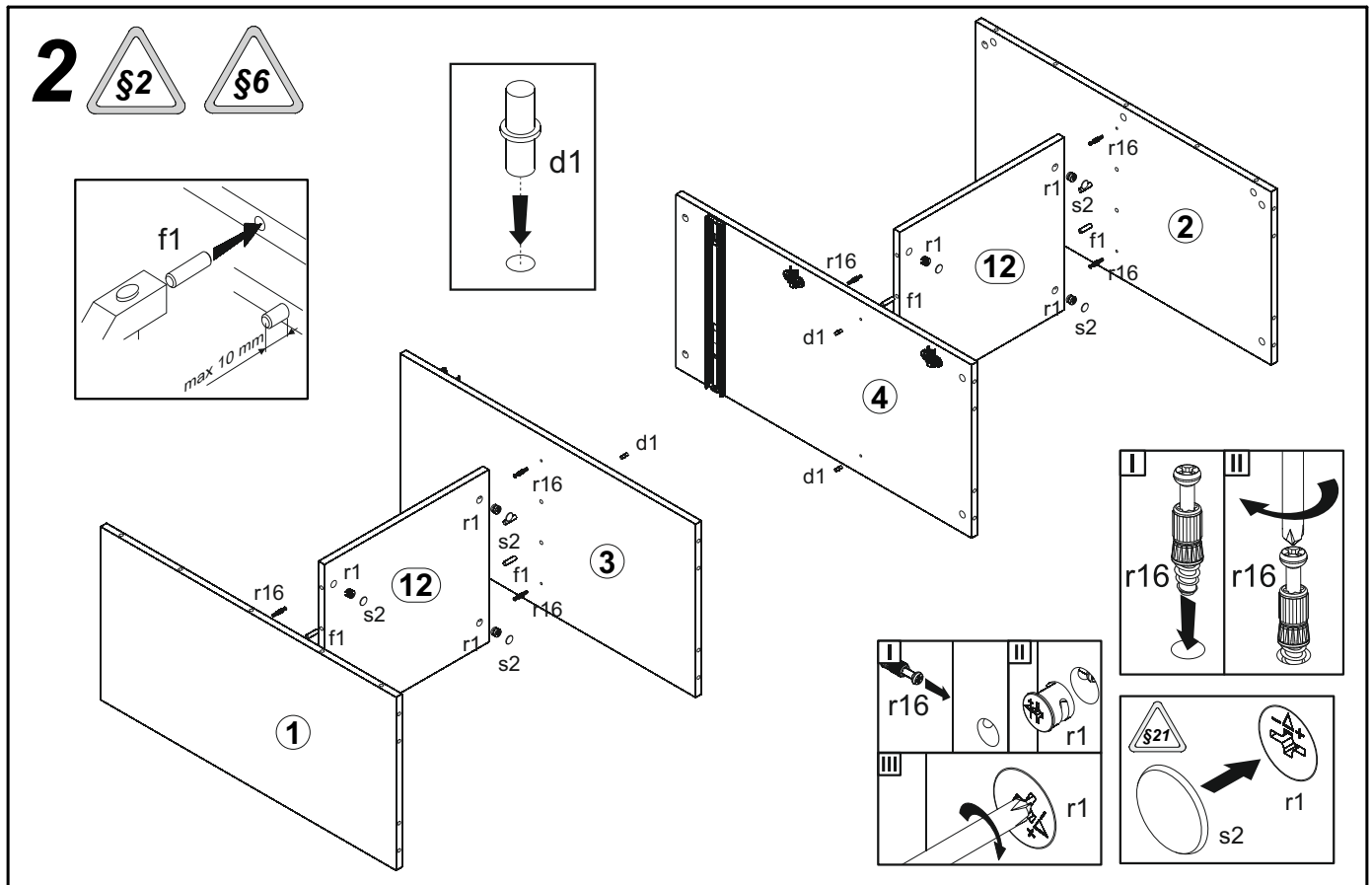


A	B	C	D	A	B	C	D		
1	NT1-118	800	406	2/4	14	NT1-551-02	400	140	2/4
2	NT1-119	800	406	2/4	15	NT1-552-02	400	140	2/4
3	NT1-120-02	800	406	2/4	16	NT1-532-01	323	140	2/4
4	NT1-121-02	800	406	2/4	17	NT1-923-01	399	338	2/4
5	NT1-142-02	230	406	2/4	18	NT1-579	446	350	3/4
6	NT1-234	1772	440	1/4	19	NT1-580	446	350	3/4
7	NT1-235	1772	440	1/4	20	NT1-590-01	80	80	3/4
8	NT1-924	1725	405	1/4	21	NT1-022-01	210	396	4/4
9	NT1-925	1725	440	1/4	22	NT1-024-01	794	396	4/4
10	LH-779	779	14	1/4	23	NT1-025-01	581	396	4/4
11	NT1-320	780	404	2/4	24	NT1-032	794	396	4/4
12	NT1-321	445	404	2/4	25	NT1-031	581	396	4/4
13	NT1-515	800	68	2/4					

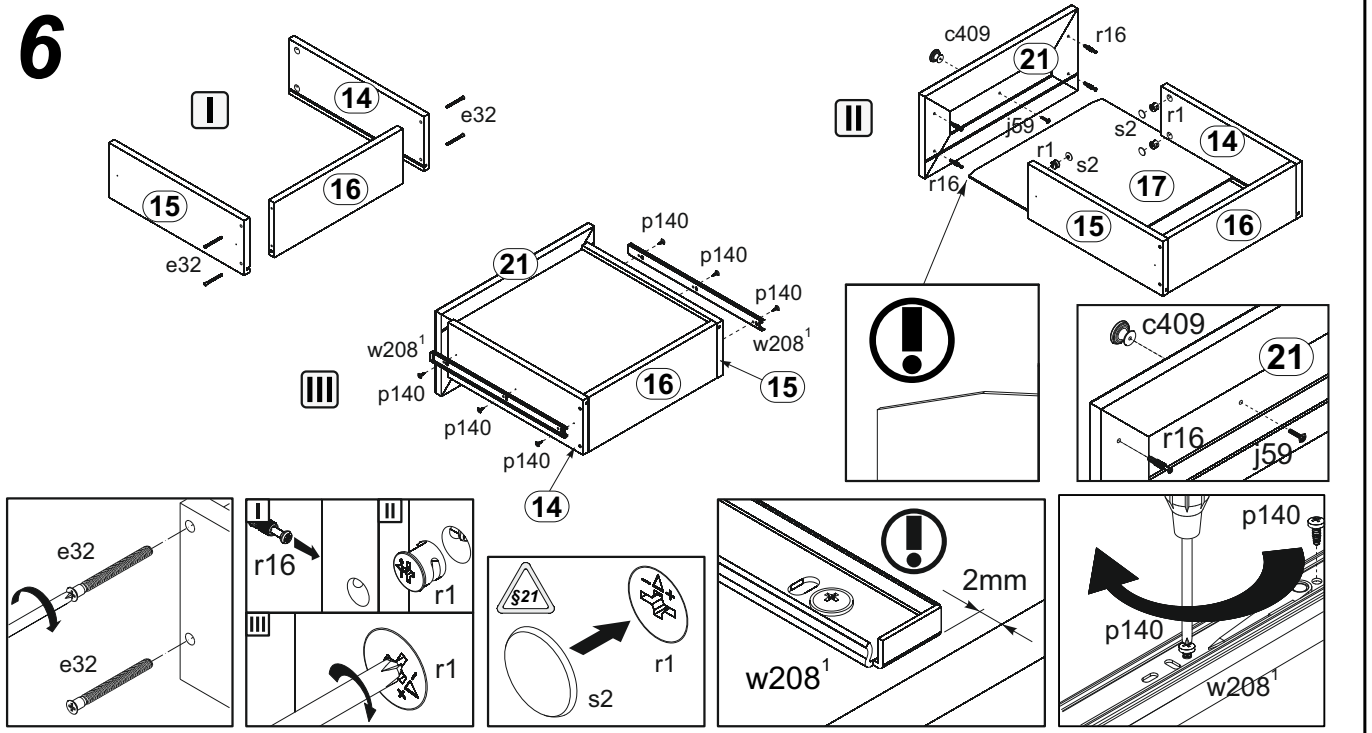


4x a68	4x a132	4x b33 ^{DI,5}	4x b43	6x c409	4x d1 φ5x17 mm	8x e2 φ6,3x13 mm	12x e3 φ6x13 mm	2x e8 φ7x60 mm
4x e26 φ7x35 mm	8x e32 φ5x50 mm	6x k1	90x l1	30x f1 φ8x30 mm	4x j6 M4x30 mm	2x j59 M4x18 mm	1x n26 ¹	4x n900 42x22 mm
8x p5 φ3,5x13 mm	1x p38 φ3,5x16 mm	16x p51 φ3,5x15 mm	12x p140 φ3,5x12 mm	40x r1 φ15x12mm #16	40x r16 20/9	33x s2 φ16	4x w208 ¹ 400 mm	4x w208 ² 400 mm
1x z1								





6



7

