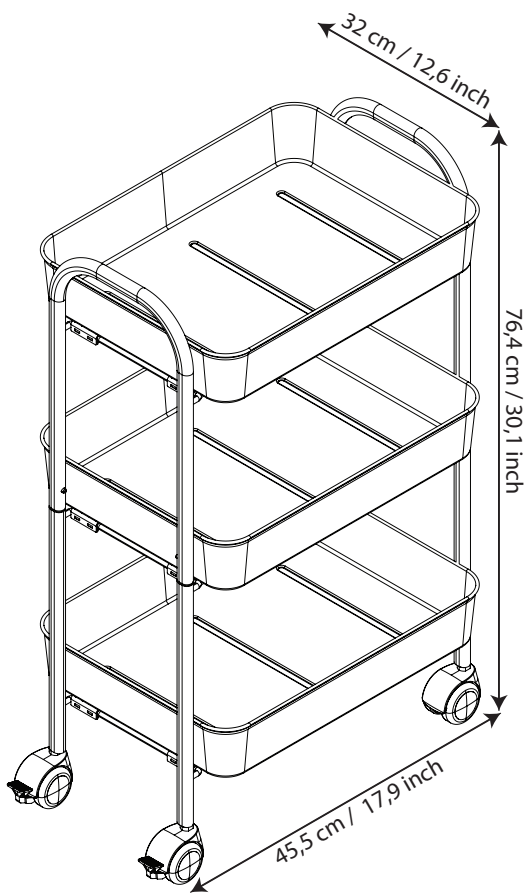
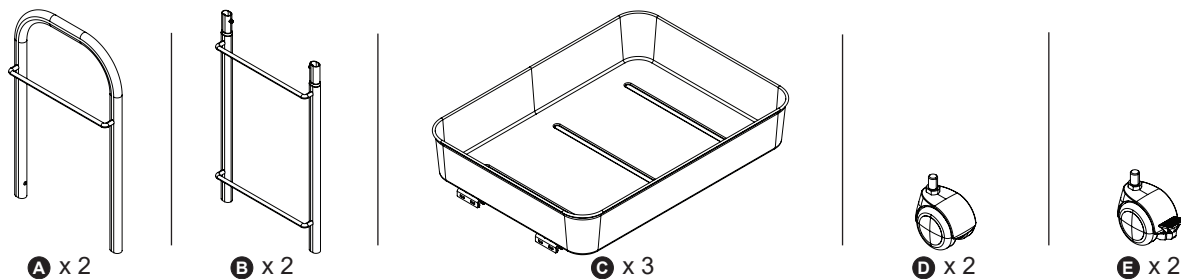


Components



Assembly Instructions

Steps

