

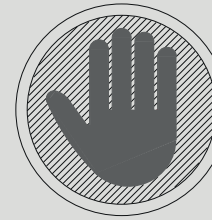
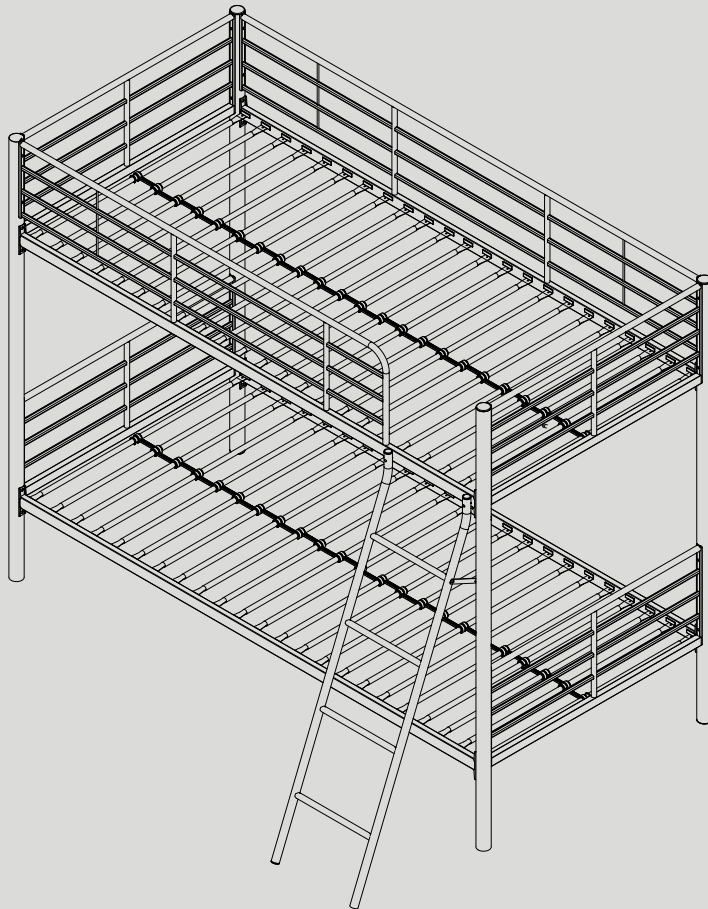
Important – Read Carefully Retain For Future Reference

Metal Bunk Bed

TULIP 80x190 cm

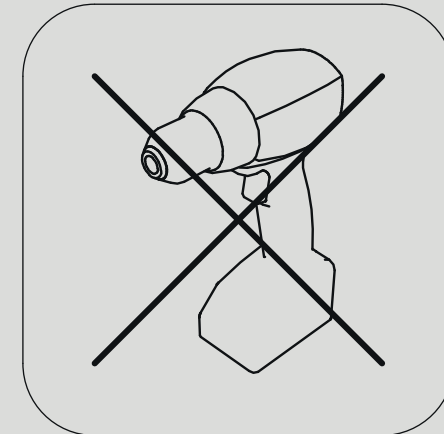
QUALITY BY
MILENYUM METAL
DIS TIC. VE SAN. A.S.

📍 Free Zone KAYSERI / TURKEY
☎ +90 352 311 44 54 - 55
📠 +90 352 311 34 17
✉ export@palm.com.tr
www.palm.com.tr



DO NOT RETURN TO THE STORE !

If parts are missing or damaged, we will gladly ship your replacement parts free of charge.



Don't use a drill !



THIS INSTRUCTION BOOKLET CONTAINS **IMPORTANT** SAFETY INFORMATION. PLEASE READ AND KEEP FOR FUTURE REFERENCE.

Warranty Information

- Warrants this product to be free from defects in material and workmanship and agrees to remedy any such defect. This warranty covers one year from the date of original purchase. This is solely limited to the repair or replacement of defective parts and assembly labor is not included.
- This warranty does not apply to any product which has been improperly assembled, subjected to misuse or abuse or which has been altered or repaired in any way. Liability for consequential damages is excluded to the extent exclusion is permitted by law. This warranty gives you specific legal rights and you may also have other rights which vary from state to state.
- To obtain warranty service, purchaser must present original bill of sale. Components repaired or replaced are warranted through the remainder of the original warranty period only. The defective components will be repaired or replaced without charge, subject to the terms and conditions described above.

Instructions for use

a) WARNING "High beds and the upper bed of bunk beds are not suitable for children under six years due to the risk of injury from falls";

b) WARNING "Bunk beds and high beds can present a serious risk of injury from strangulation if not used correctly. Never attach or hang items to any part of the bunk bed that are not designed to be used with the bed, for example, but not limited to ropes, strings, cords, hooks, belts and bags"

c) WARNING "Children can become trapped between the bed and the wall, a roof pitch, the ceiling, adjoining pieces of furniture (e.g. cupboards) and the like. To avoid risk of serious injury the distance between the top safety barrier and the adjoining structure shall not exceed 75 mm or shall be more than 230 mm";

d) WARNING Do not use the bunk bed/high bed if any structural part is broken or missing;

e) always follow the manufacturer's instructions;

f) the recommended size of the mattress(es); 80x190x18cm.

g) a statement that ventilation of the room is necessary in order to keep the humidity low and to prevent mould in and around the bed;

h) all bunk beds and high beds intended to be assembled by other than the manufacturer or his/her representative shall include assembly instructions including a list of the parts supplied and details of any tools required to assemble the bed;

i) instructions regarding positioning and connection of the means of access;

j) the maximum thickness of the mattress (see 4.1.4) as well as information regarding the mattress maximum thickness marking;

k) a statement to check regularly that all assembly fastenings are properly tightened;

- The maximum thickness of the mattress is 18cm.
- The room should be ventilated regularly, to keep the humidity of the room low and prevent it.
- The bunk bed attachment points should be checked regularly, you have to make sure the fasteners are tight.
- This upper bed is not suitable for children under six years.
- Always follow the manufacturer's instructions;
- Instructions regarding positioning and connection of the means of access; explained on pages 11 and 12.



Read Before Beginning Assembly

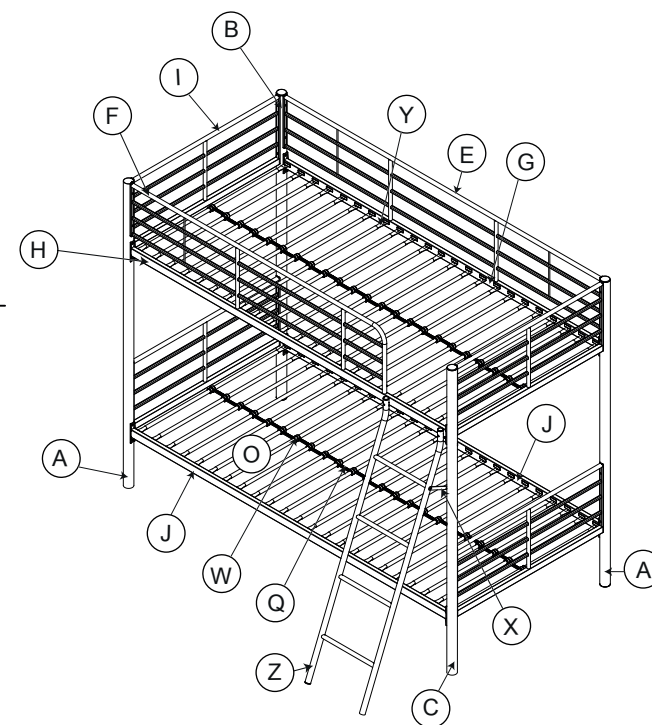
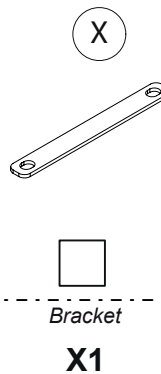
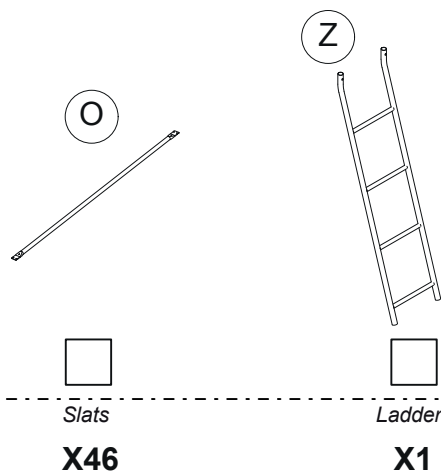
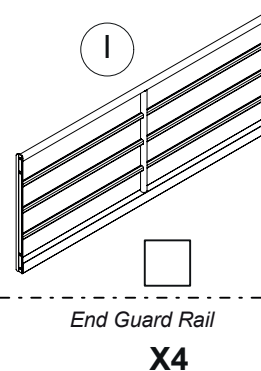
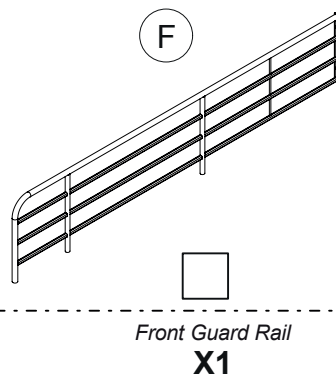
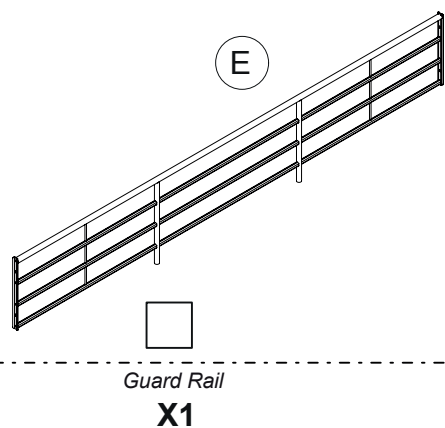
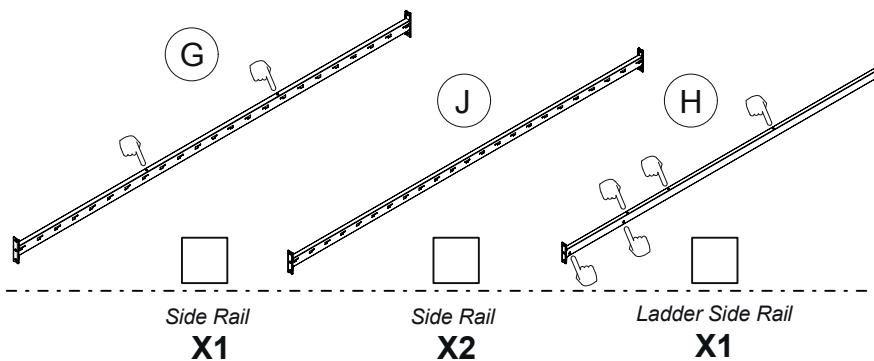
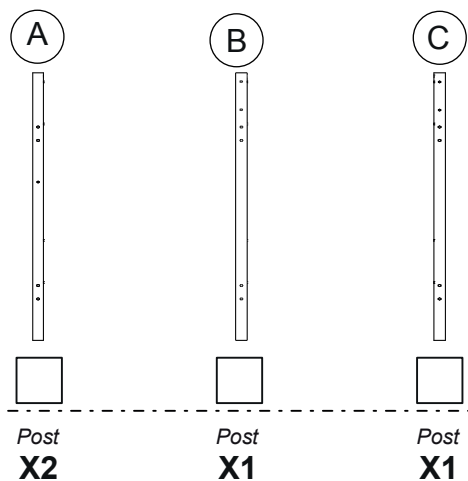
- Call our toll free number if you need assistance.
- Work in a spacious area and near where the unit will be used, preferably on a carpet, or use a piece of the cardboard packaging to protect your floor and product.
- Recommended # of people needed for assembly: **2** (however it is always better to have an extra hand). Estimated assembly time is **2.0** hours.
- Make sure all parts are included. Most parts are labeled or stamped on the raw edge.
- Read each step carefully. It is very important that each step of the instructions is performed in the correct order. If these steps are not followed in sequence, assembly difficulties will occur.

Caution

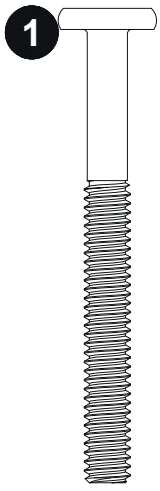
- This product is designed for home use and not intended for commercial use.
- This product contains small components. Please ensure that they are kept away from small children.
- Do not use power tools to assemble your furniture. Power tools may strip or damage the parts.

Parts

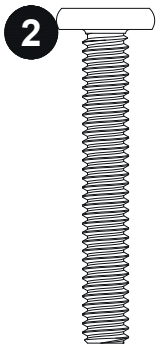
-  *All in 1 big box!*
-  *There are inner box(es) that include components required to complete this assembly.*
- Before you throw the package, please use the Check Box to identify the parts and ensure that you have all the parts needed for the assembly.*



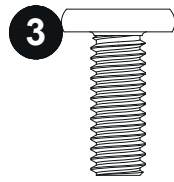
Hardware Pack



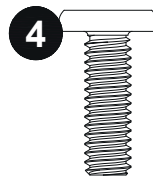
1/4" X 2 3/8"
X5



1/4" X 1 5/8"
X2



5/16" X 3/4"
X16



1/4" X 3/4"
X24



4mm
X3



Please do not completely tighten all the hardware, until the entire assembly is complete, unless otherwise indicated in the step-by-step instructions.

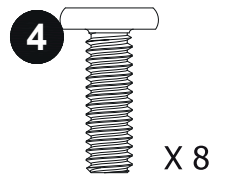
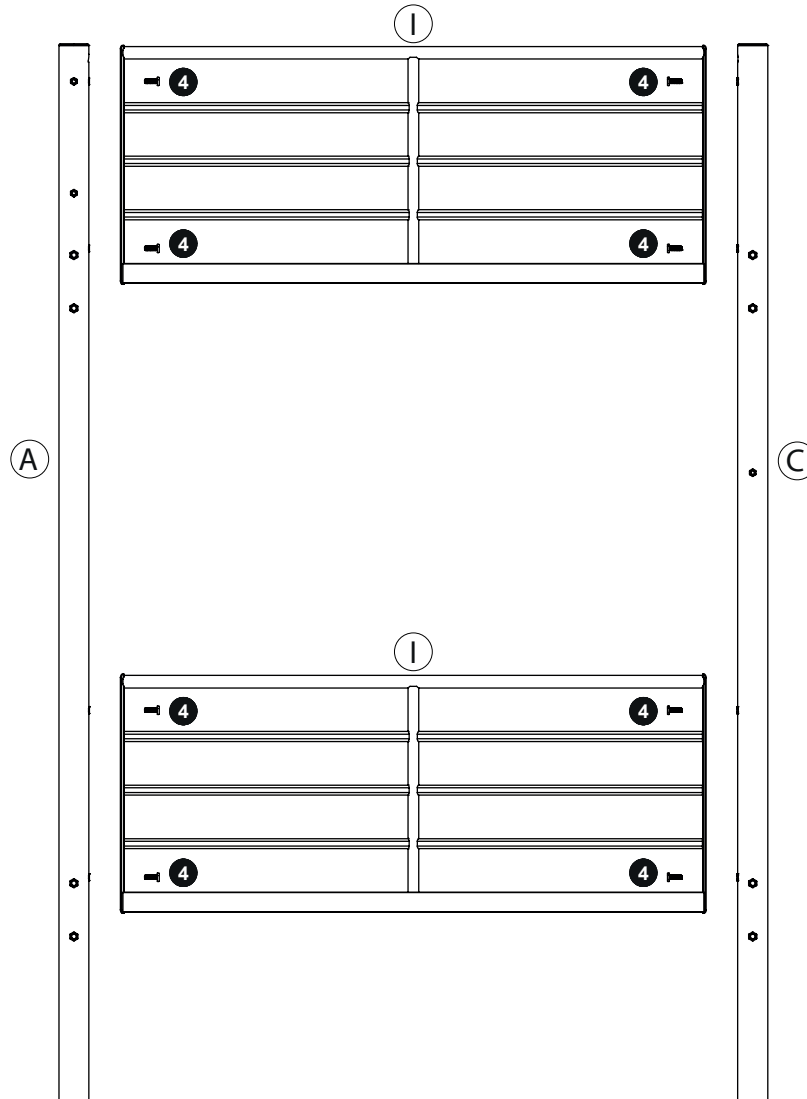


The screw(s), bolt(s) to be used at each step are shown in actual size in the lower right corner of the page.

⚠ Finger tighten the bolts, do not completely tighten.

Step 1

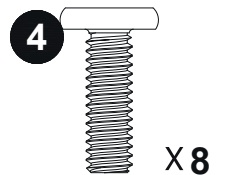
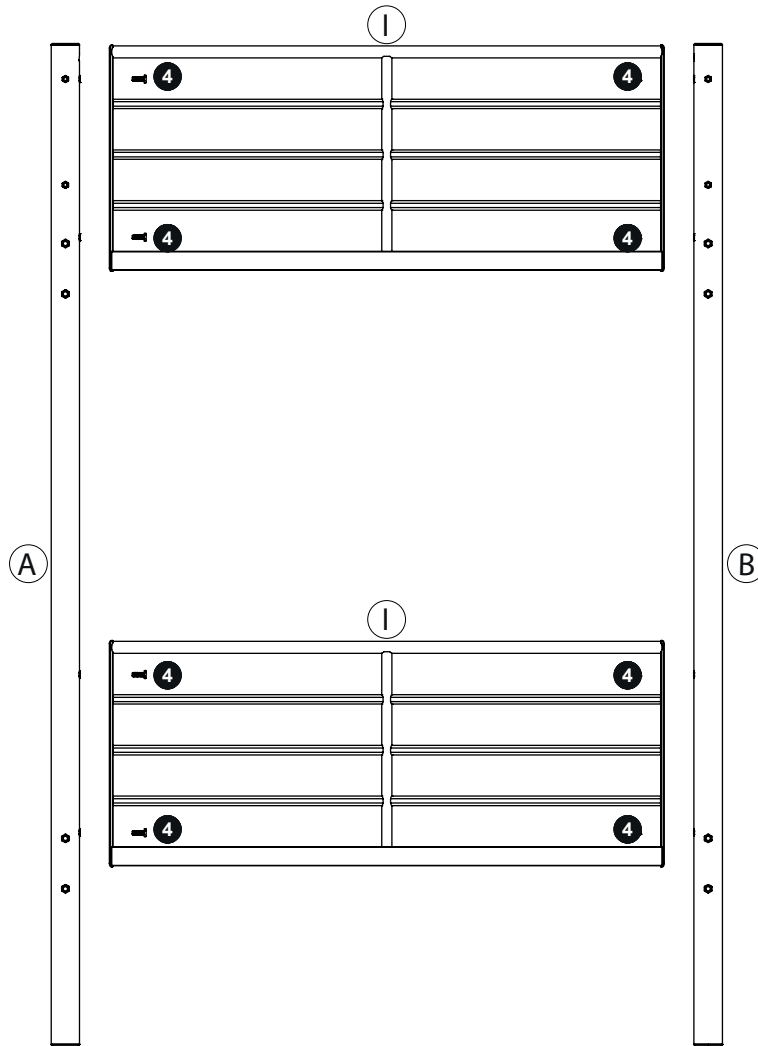
Attach I X 2 to A and C with 4 .




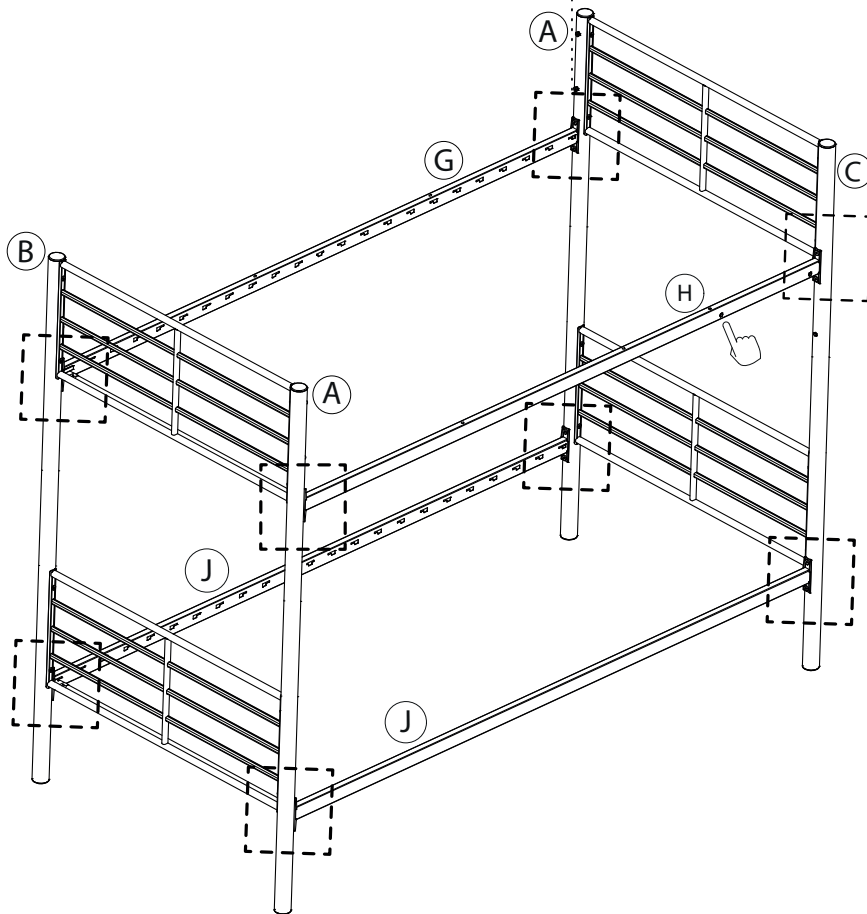
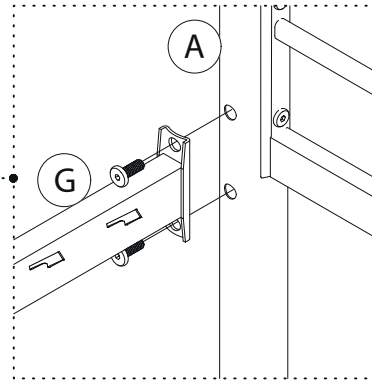
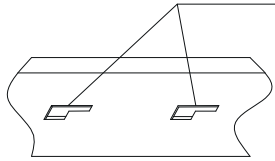
⚠ Finger tighten the bolts, do not completely tighten.

Step 2

Attach I X 2 to A and B with 4 .

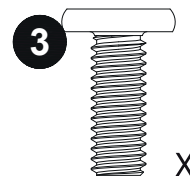


 Wide side of the slot should be facing up!

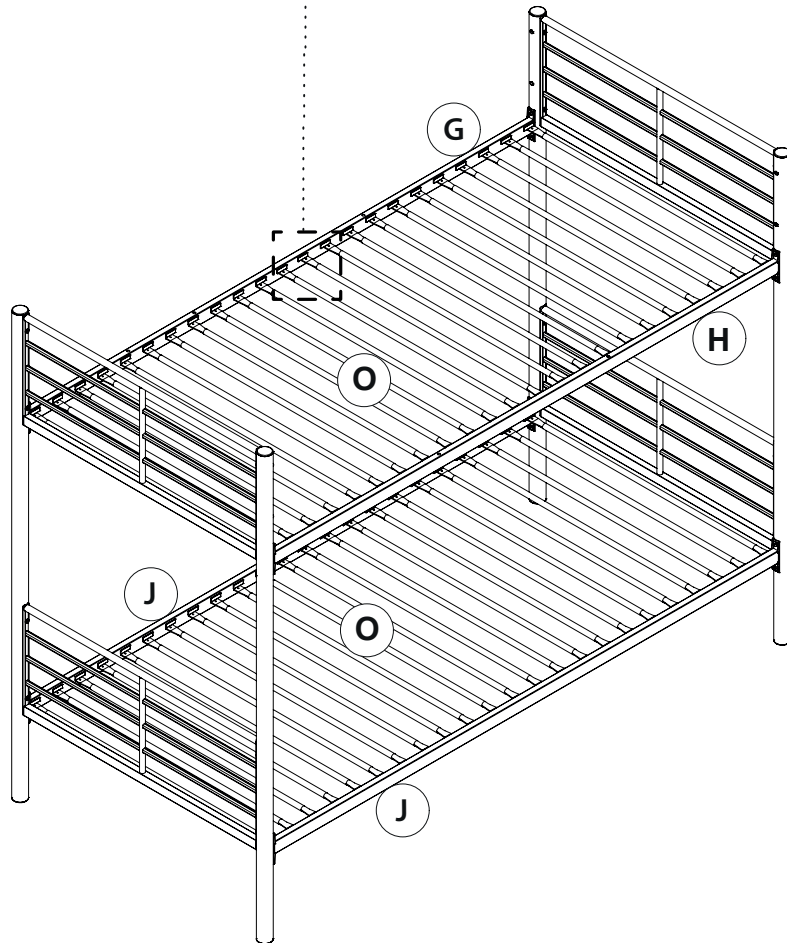
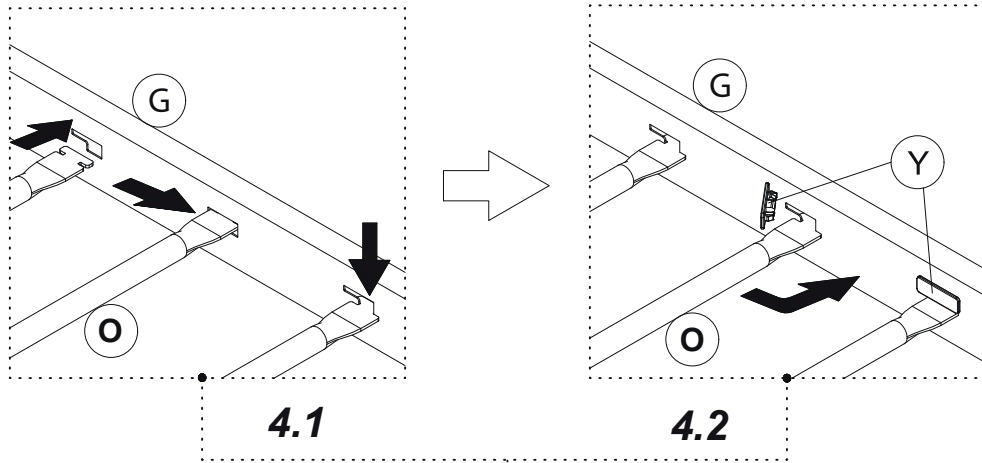


Step 3

Attach G,H and J X 2 to A/B, C/A with **3**.



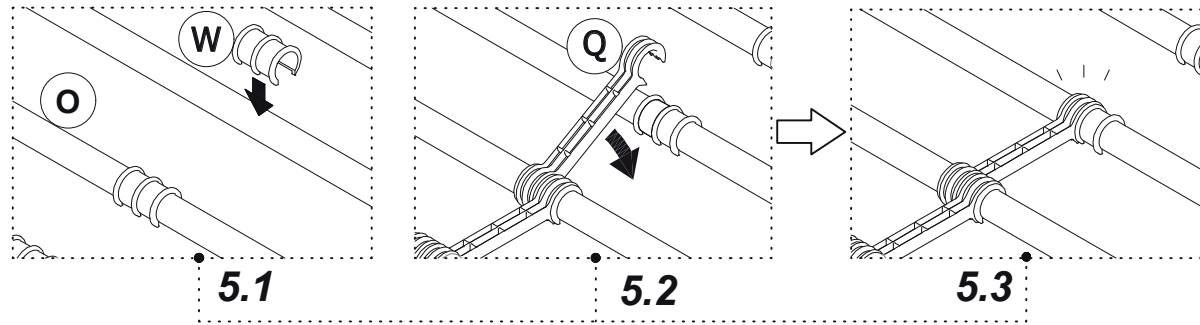
X 16



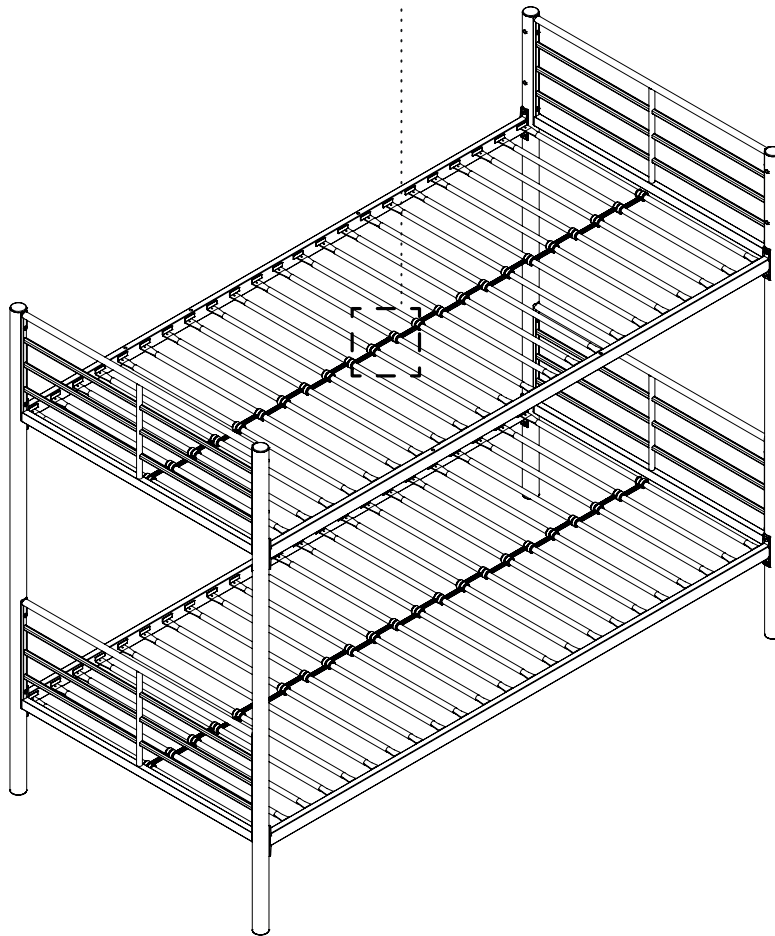
Step 4

Insert **O** into **G/H** and **J X 2** as illustrated, then lock **O** into place with **Y**.

Step 5



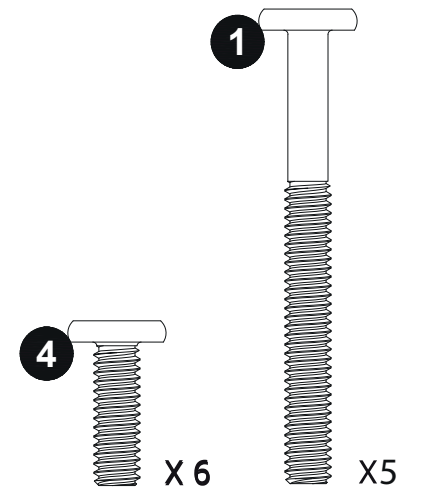
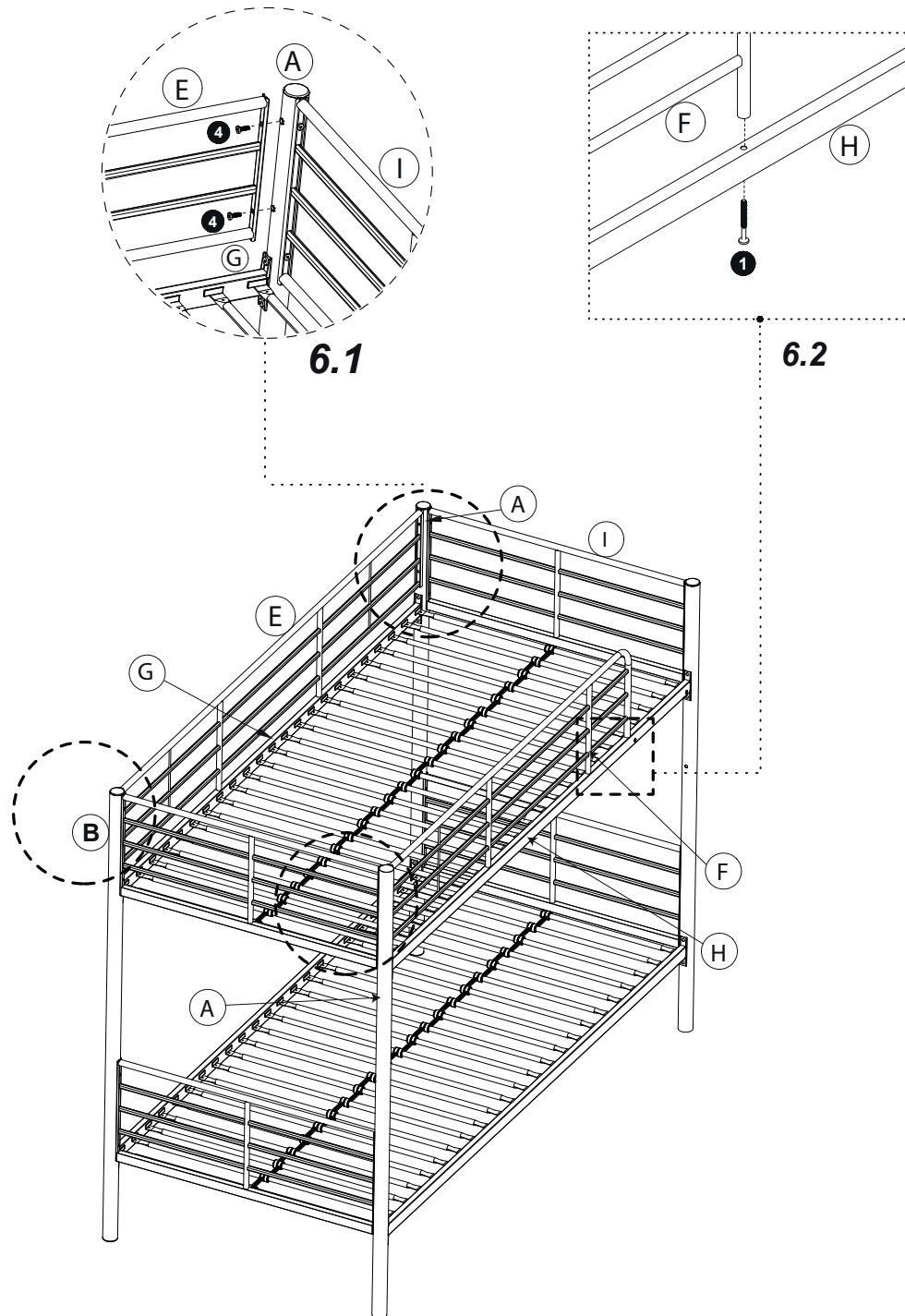
5.1 Press **W** onto **O** as illustrated.
5.2 Press **Q** onto **W** alternating left and right as illustrated.



Step 6

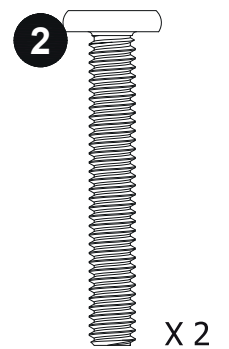
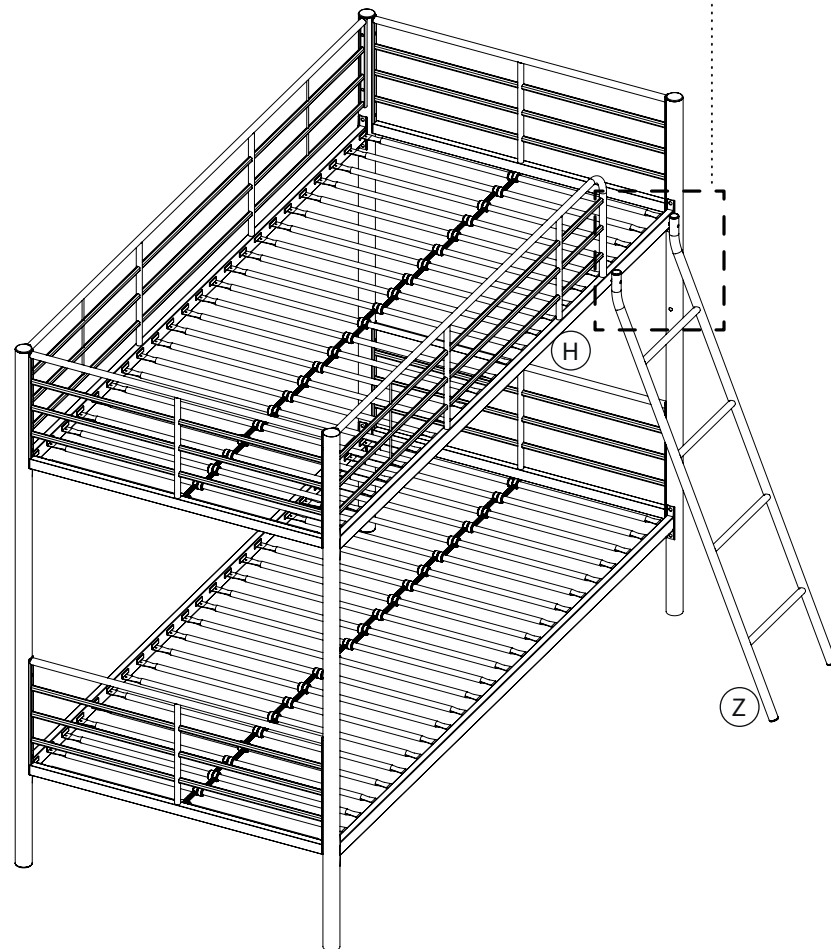
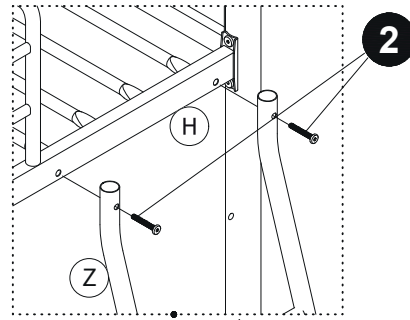
6.1 Attach E to A and B with ④; to G with ①.

6.2 Attach F to A with ④; to H with ①.



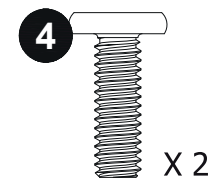
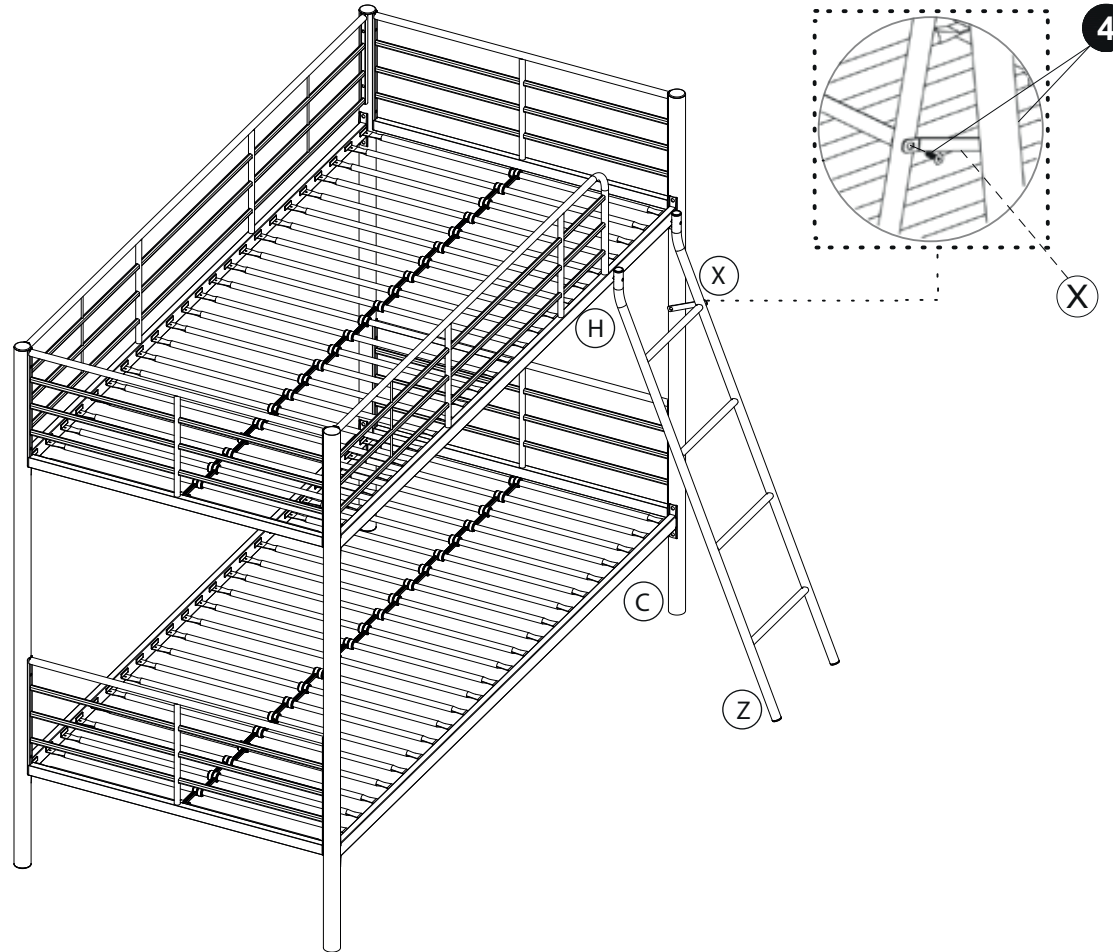
Step 7

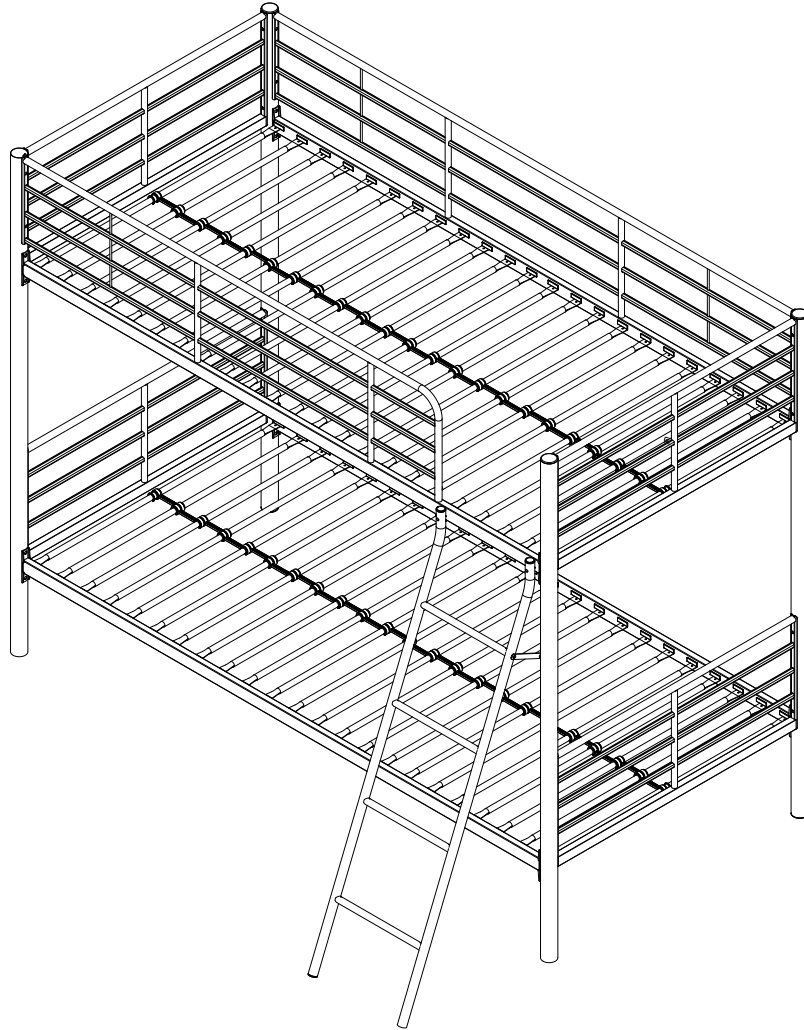
Attach Z to H with ②.



Step 8

Attach X to Z/A with 4.





Helpful Hints

- Move your new furniture carefully, with two people lifting and carrying the unit to its new location.
- Your furniture can be disassembled and reassembled to move.
- Clean the product with your favorite furniture polish and soft cloth. DO NOT use harsh chemicals or abrasive cleaners.
- (Only applied for bunk bed with a lower bunk)
For the best comfort, we recommend a 6" height mattress to be used on lower bunk.

QUALITY BY
MILENYUM METAL
DIS TIC. VE SAN. A.S.

📍 Free Zone KAYSERI / TURKEY

☎ +90 352 311 44 54 - 55

📠 +90 352 311 34 17

✉ export@palm.com.tr

www.palm.com.tr

Cleaning and Care Guide

Your New Bunk

FOLLOWING THESE FEW BASIC STEPS WILL HELP YOU PROTECT YOUR INVESTMENT FOR YEARS OF ENJOYMENT TO COME.

Do not expose your bunk to any liquids.

Wipe up spilled liquids immediately with a soft, slightly damp cloth in the direction of the metal.

For metal surfaces, soak liquids up with a paper towel and wipe dry to avoid any staining.

Avoid harsh commercial cleaners, glass cleaners and spray polishes on metal.

Do not expose your bunk to strong or direct sunlight, leave near heat outlets or air conditioning units, or open windows and dampness. Excessive exposure to sunlight and heat can cause your furniture's finish to start fading.

Extreme temperatures and humidity changes can cause wood cracking and splitting.

Use a strip of felt or cork.

Never place hot objects on any bunk surface.

Use a hot plate between your bunk and hot objects to protect the finish.

Frequently dust surfaces with a clean, damp, lint free cloth.

Abrasive build up can cause damage a finish over time.

Small scratches and marks can be touched up or covered with a mark or scratch remover or a touch up stick. These can be purchased from any paint or hardware store.