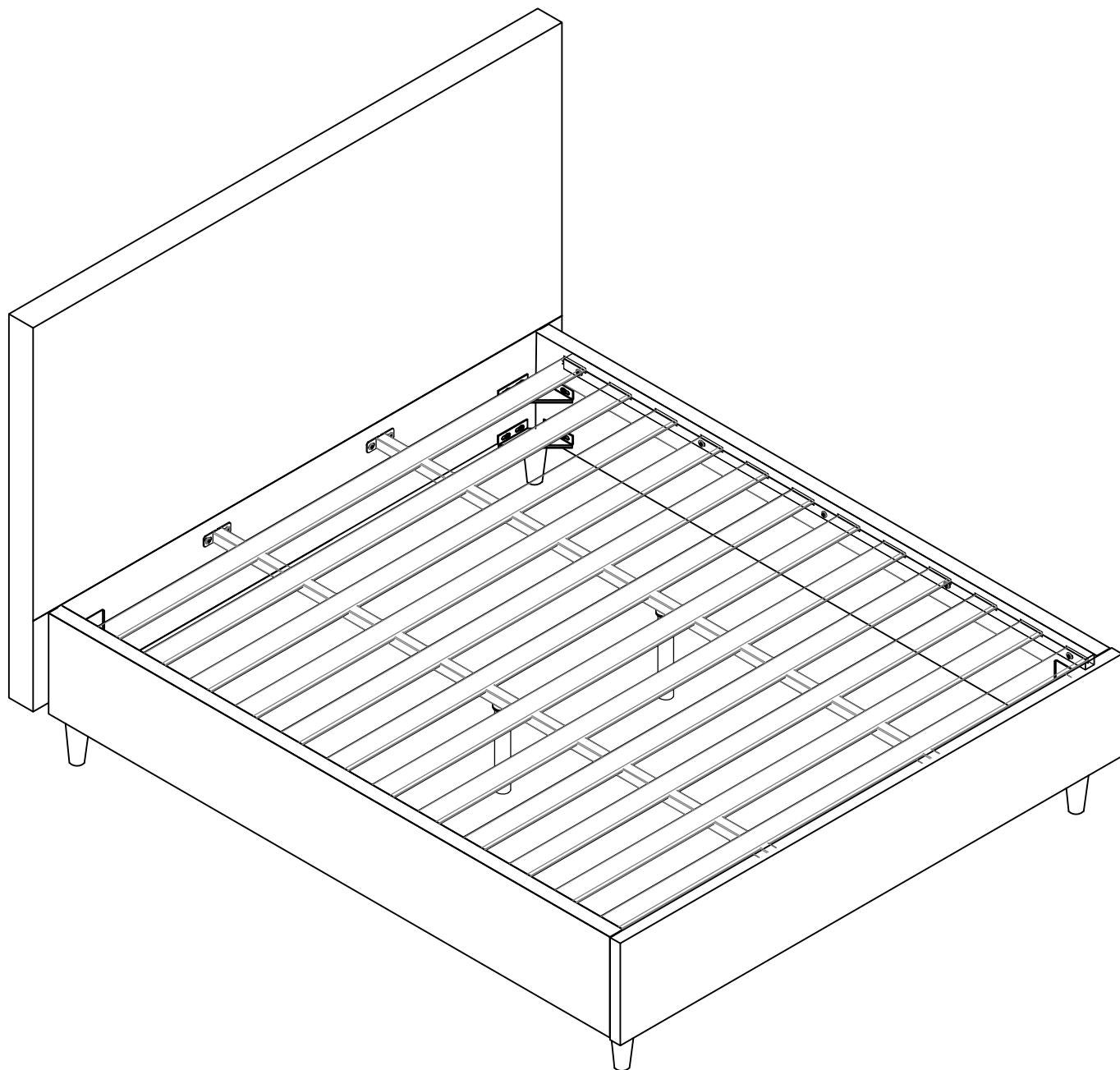


ASSEMBLY INSTRUCTION

1600*1900



Read this instruction carefully. See hardware and furniture part list for guidance. Be sure all parts are complete before you assemble. Place all wooden furniture parts on a clean and flat soft surface to prevent from being scratched.

Follow the figure to start assembling.

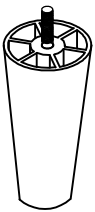
CAUTIONS: 1. Do not **FUIYI- TIGHTEN** the nut or nut bolt until all nut or bolt is ready assembled.

2. Do not **OVER - TIGHTEN** the nut or bolt to avoid causing damages to the thread

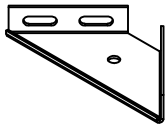
3. Keep all hardware parts out of reach of children.

NOTE :THE LIST AND QUANTITY SHOWN ARE FOR 1 UNIT ASSEMBLY

A *4



B *8



C *4



M8

D *40



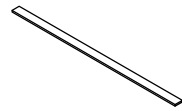
M8*20

E *10

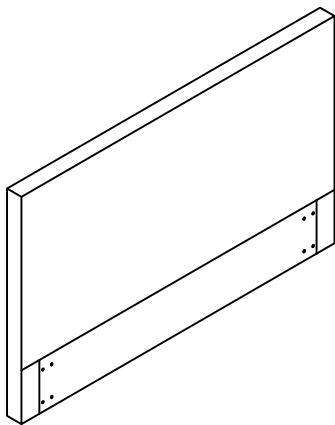


M8*45

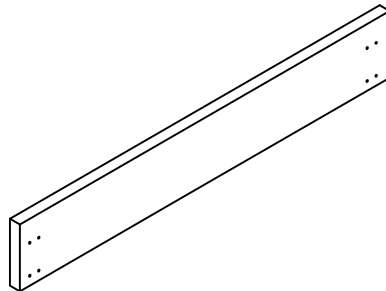
F *16



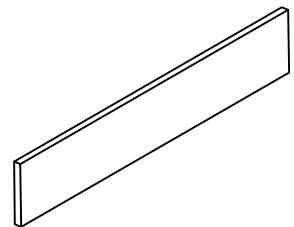
G *2



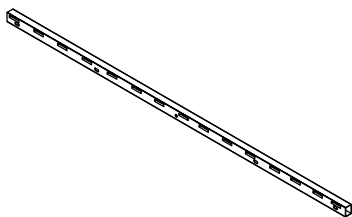
① *1



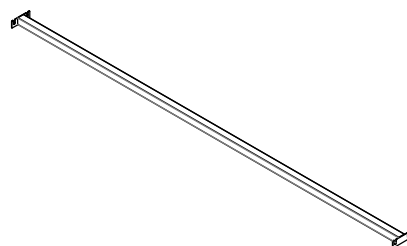
② *2



③ *1

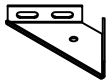



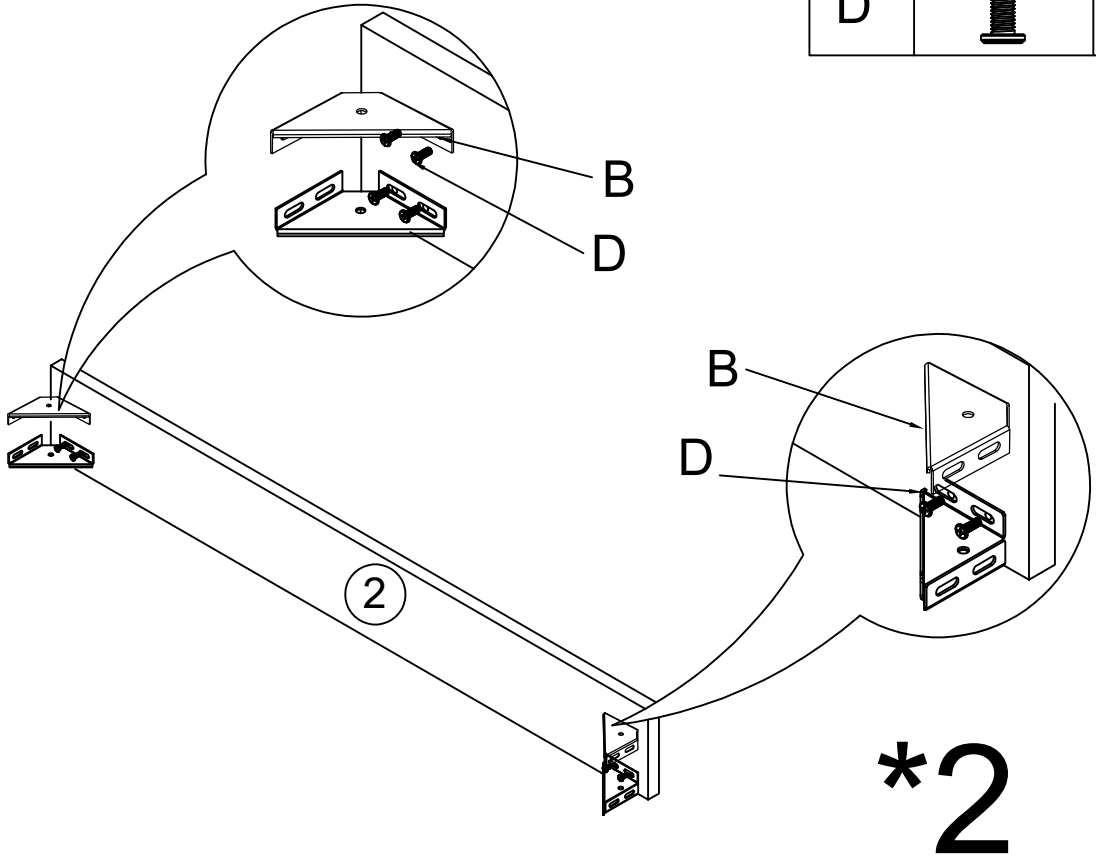
④ *2




⑤ *2

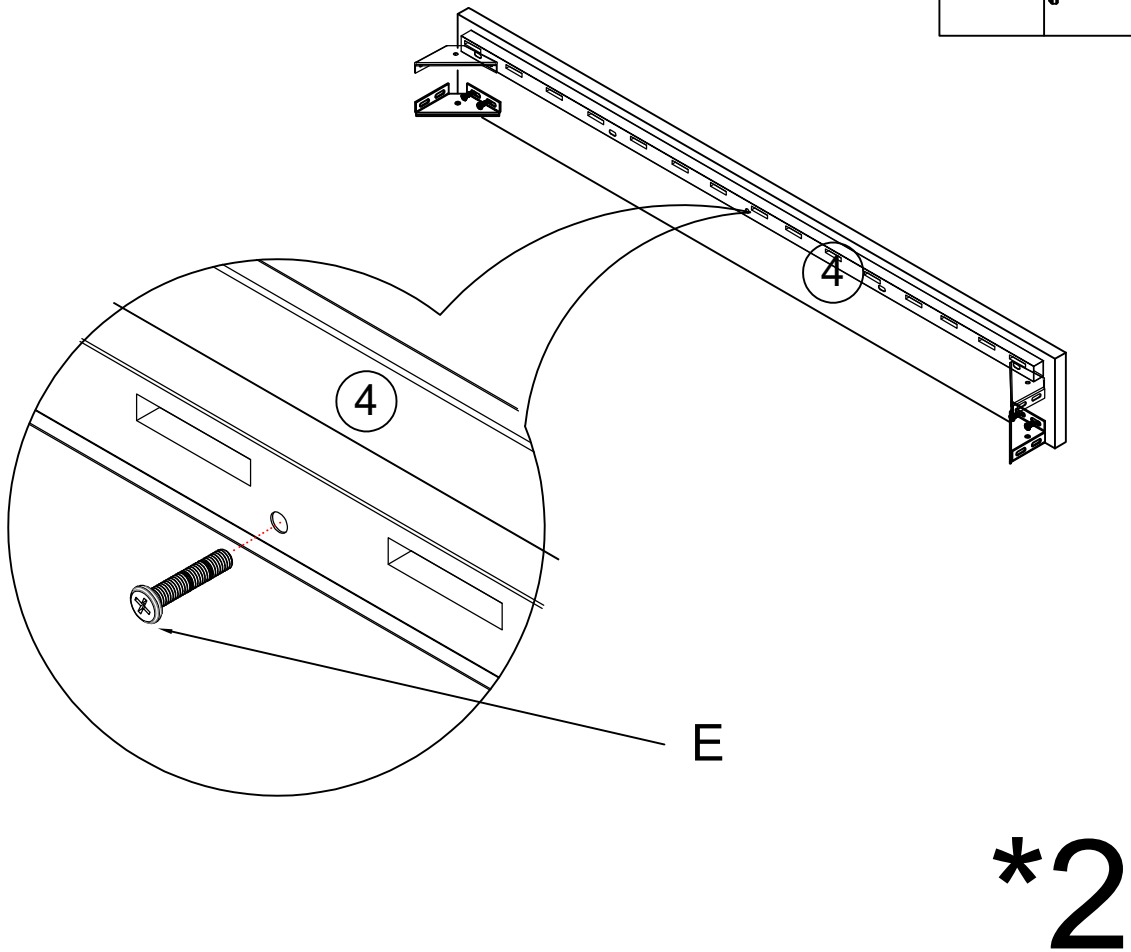
1

B		*8
D		*16



2

E		*10
---	---	-----

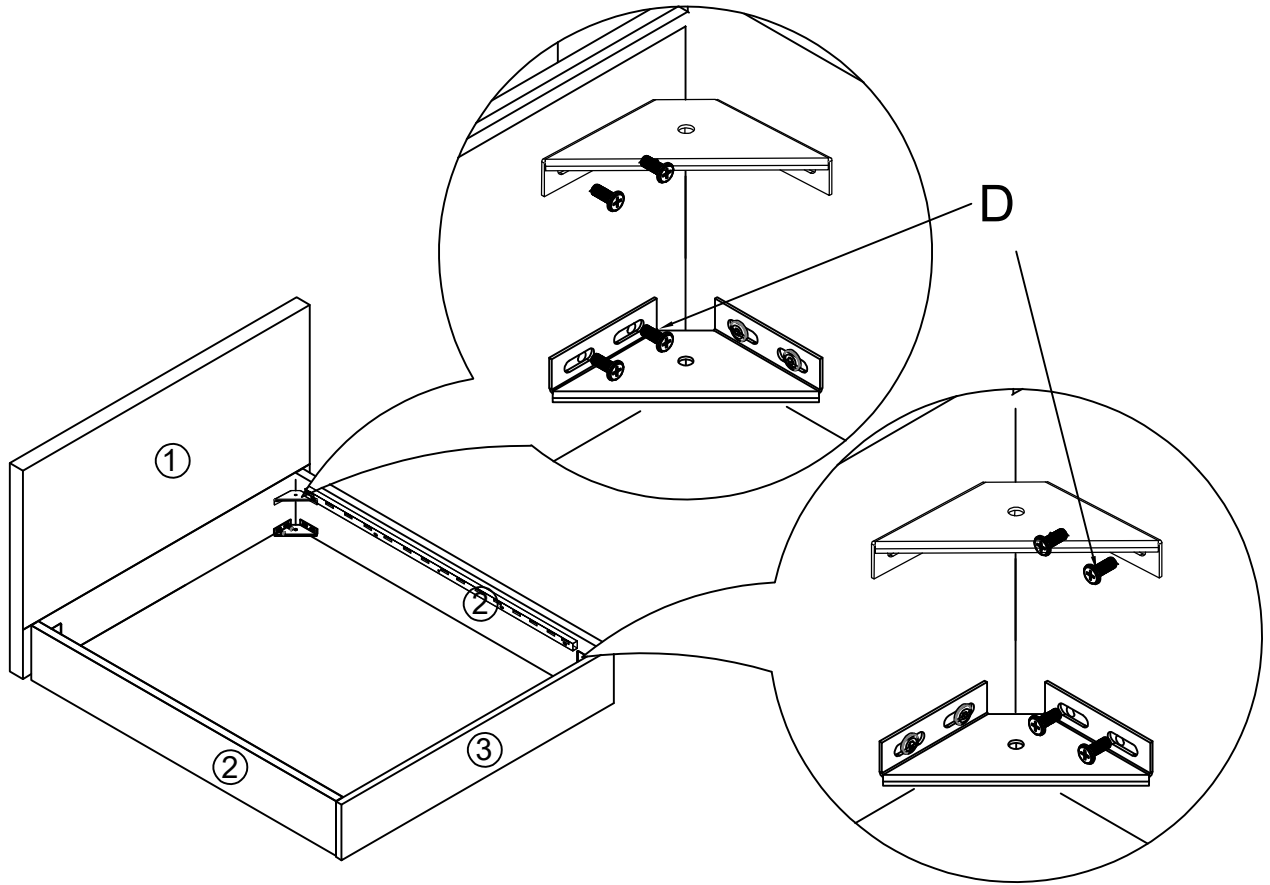


3

D



*16



4

A

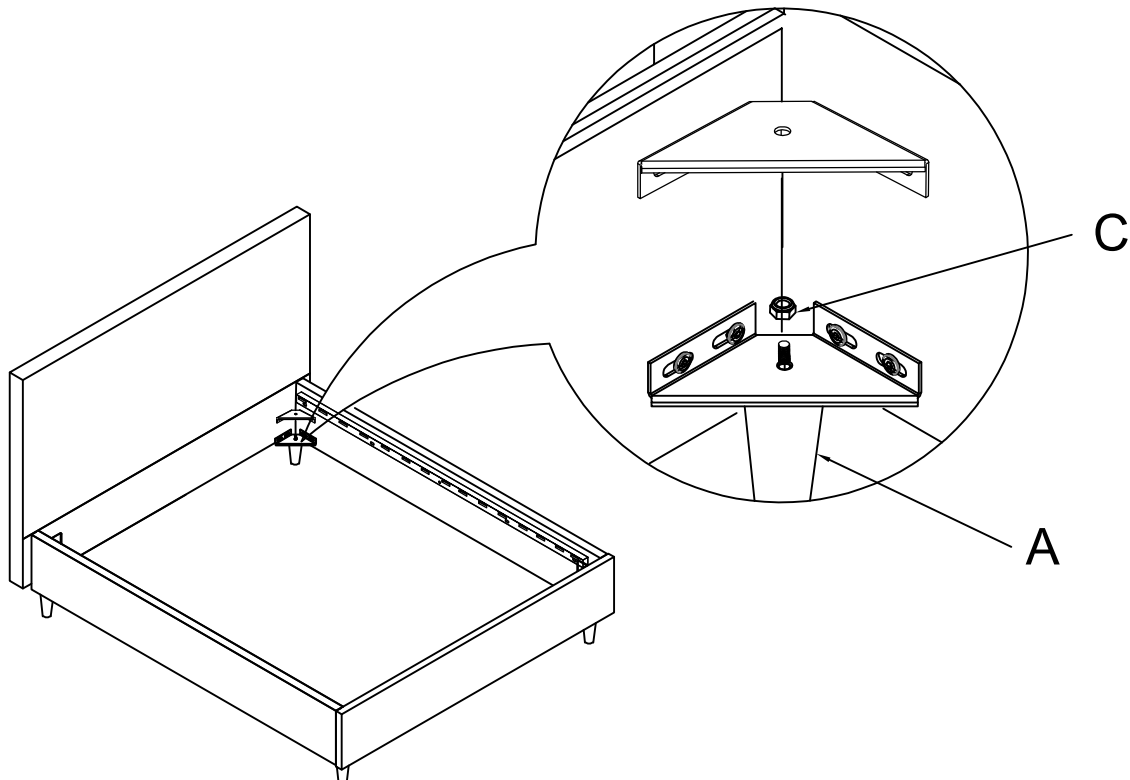


*4

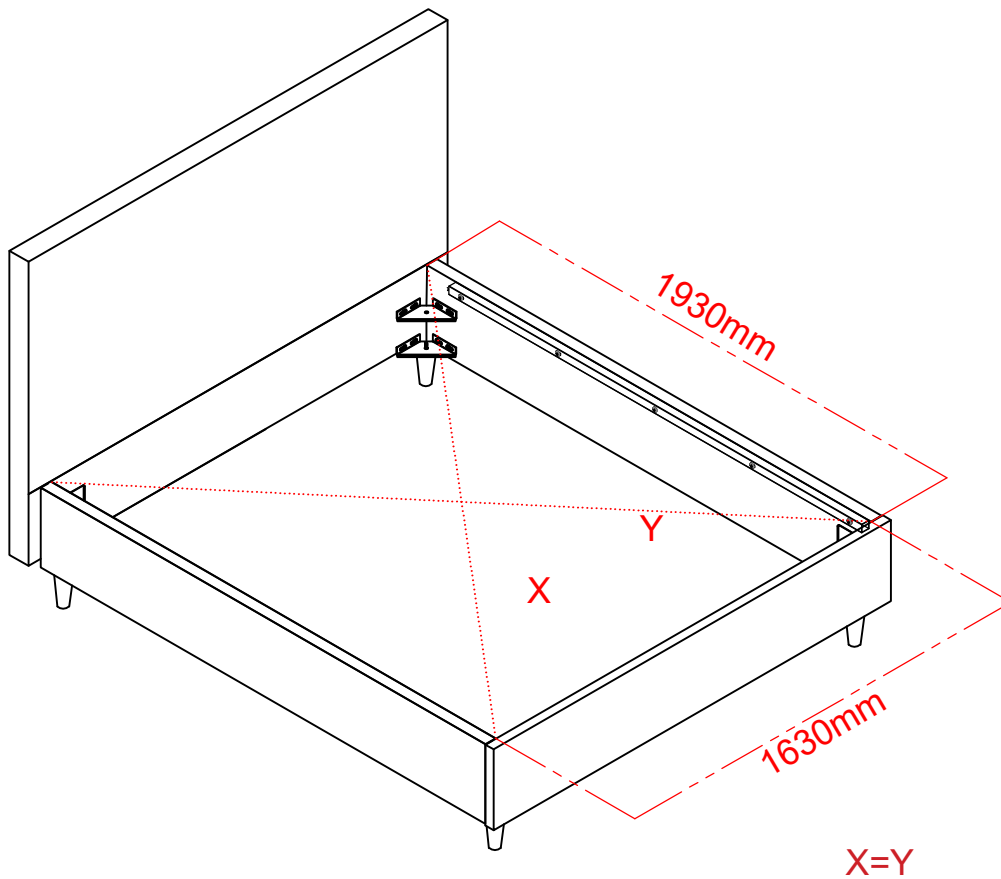
C



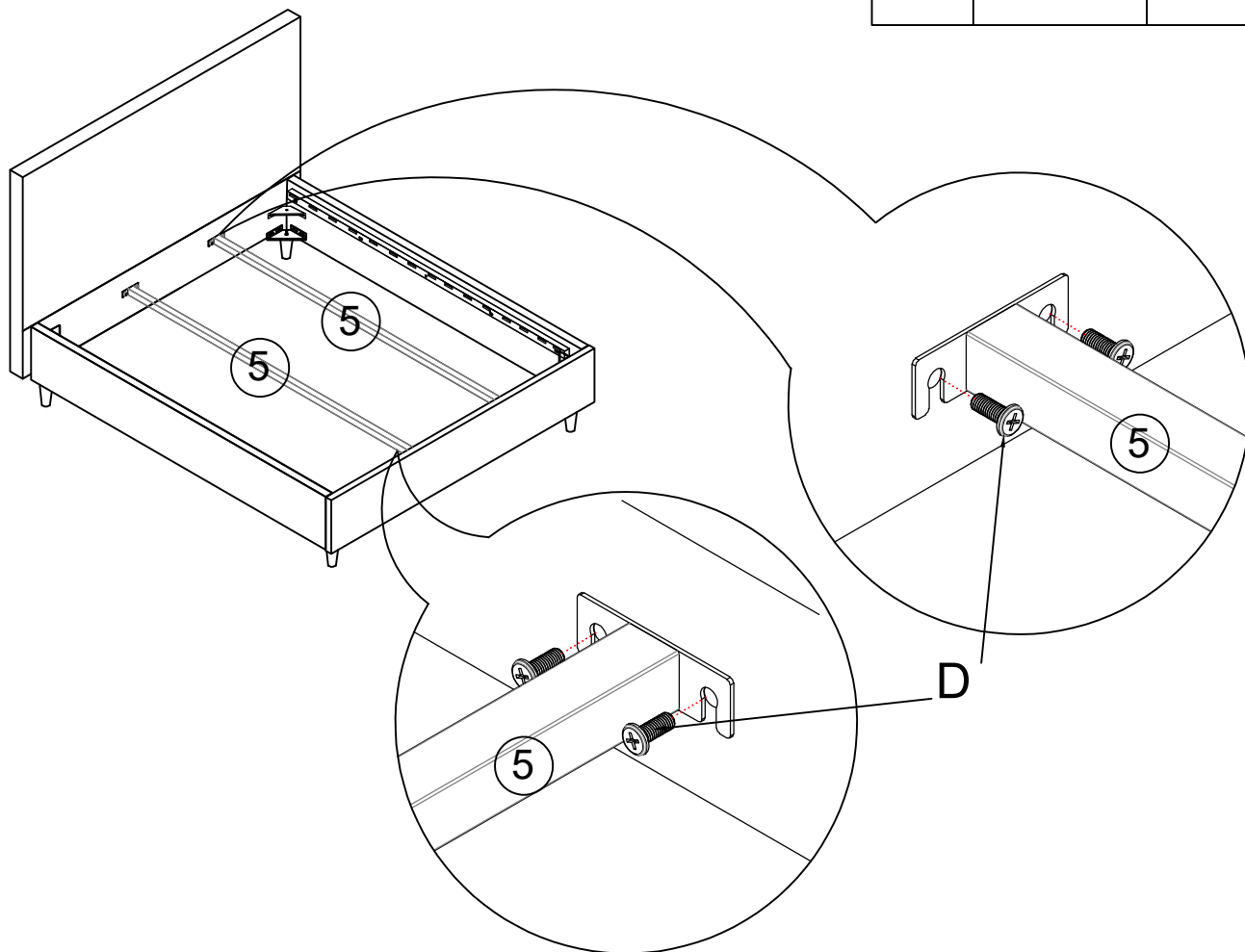
*4



5

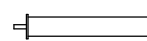


6

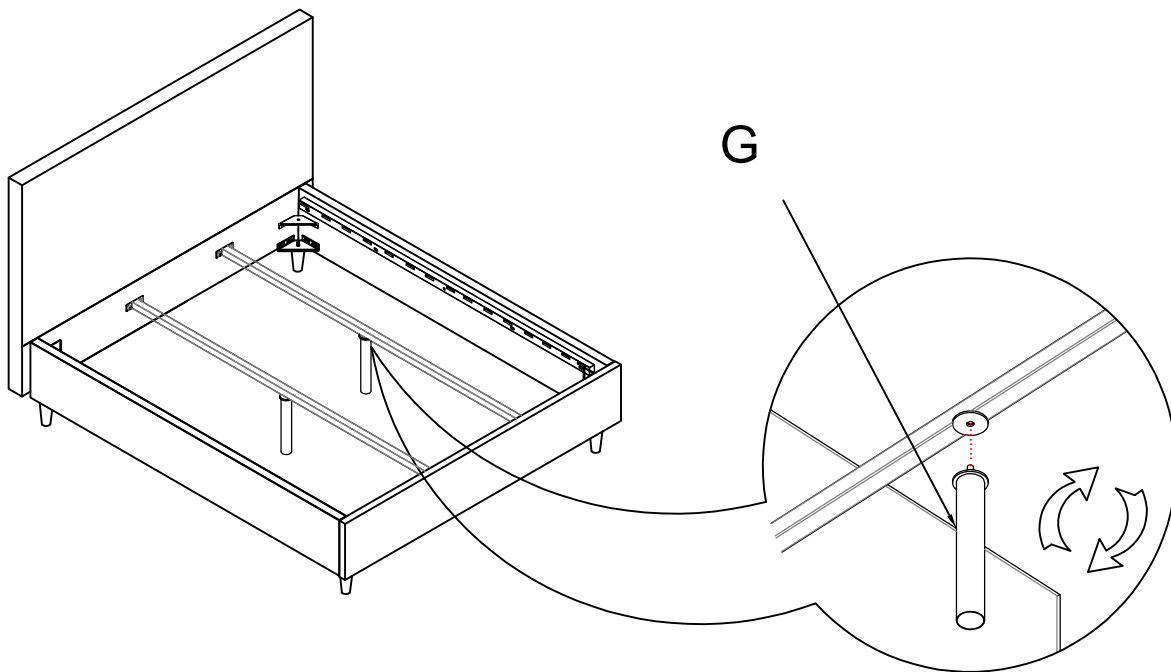


7

G



*2



8

F

*16

