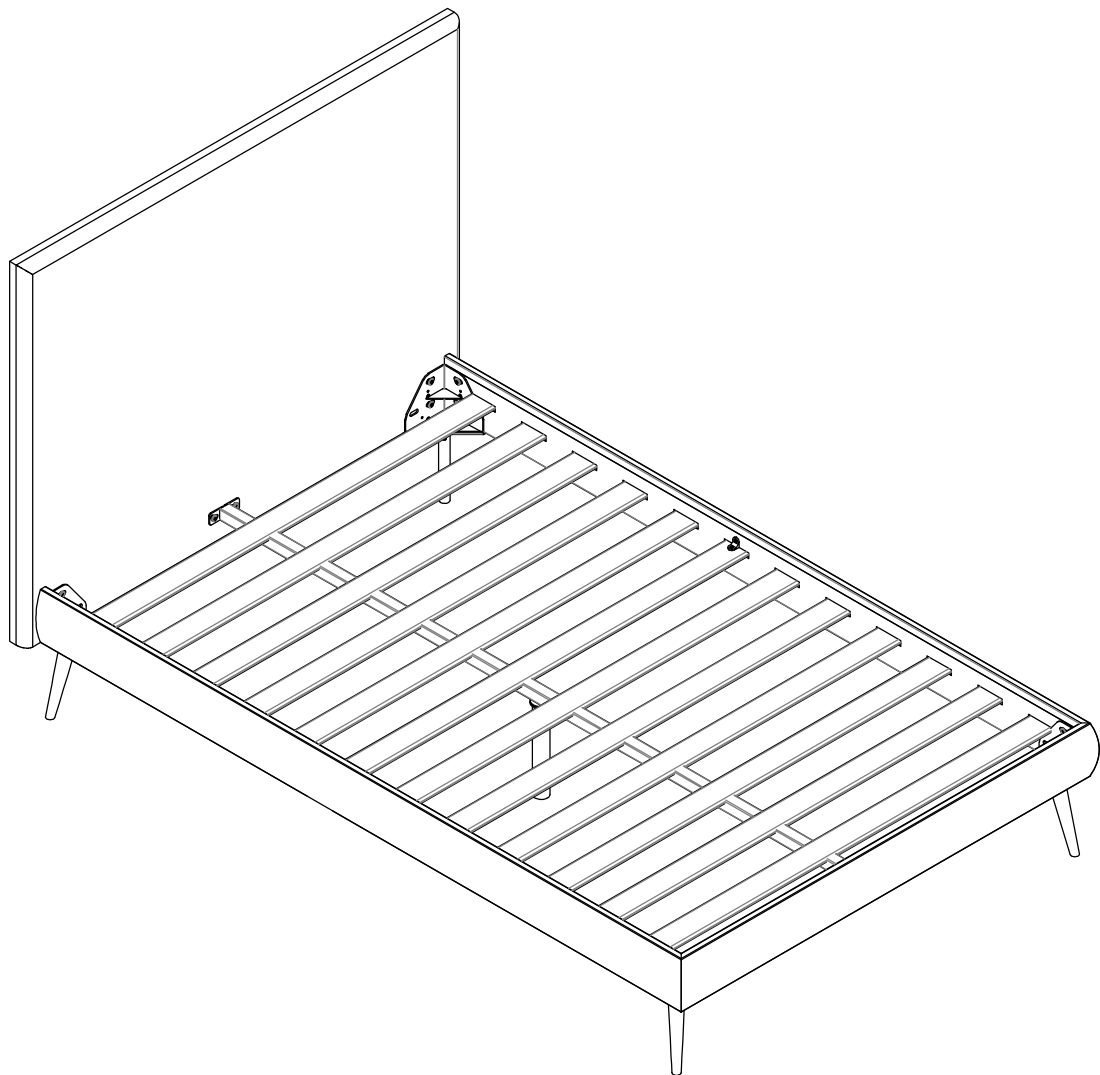


# ASSEMBLY INSTRUCTION

1200\*1900  
800\*1900



Read this instruction carefully. See hardware and furniture part list for guidance. Be sure all parts are complete before you assemble. Place all wooden furniture parts on a clean and flat soft surface to prevent from being scratched.

Follow the figure to start assembling.

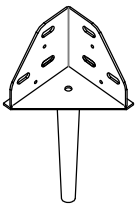
CAUTIONS: 1. Do not FUIYI- TIGHTEN the nut or nut bolt until all nut or bolt is ready assembled.

2. Do not OVER - TIGHTEN the nut or bolt to avoid causing damages to the thread

3. Keep all hardware parts out of reach of children.

NOTE :THE LIST AND QUANTITY SHOWN ARE FOR 1 UNIT ASSEMBLY

A \*4



B \*1



C \*16



M4\*20

D \*28



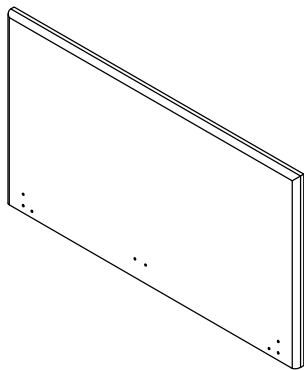
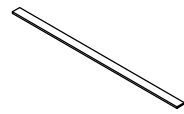
M8\*20

E \*10

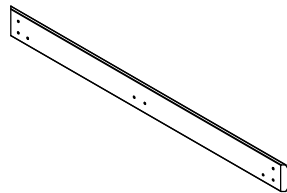


M8\*45

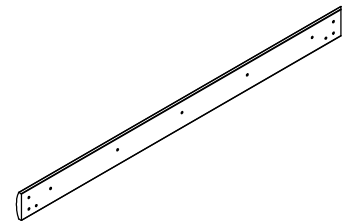
F \*15



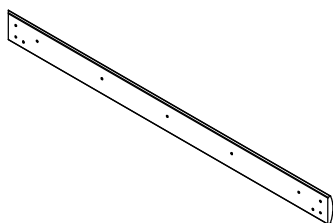
① \*1



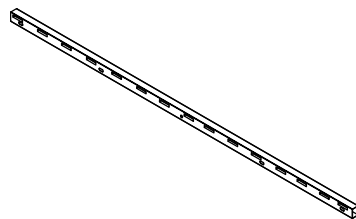
② \*2



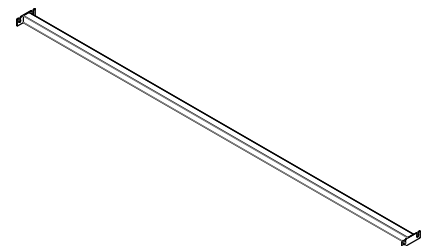
③ \*1



④ \*1




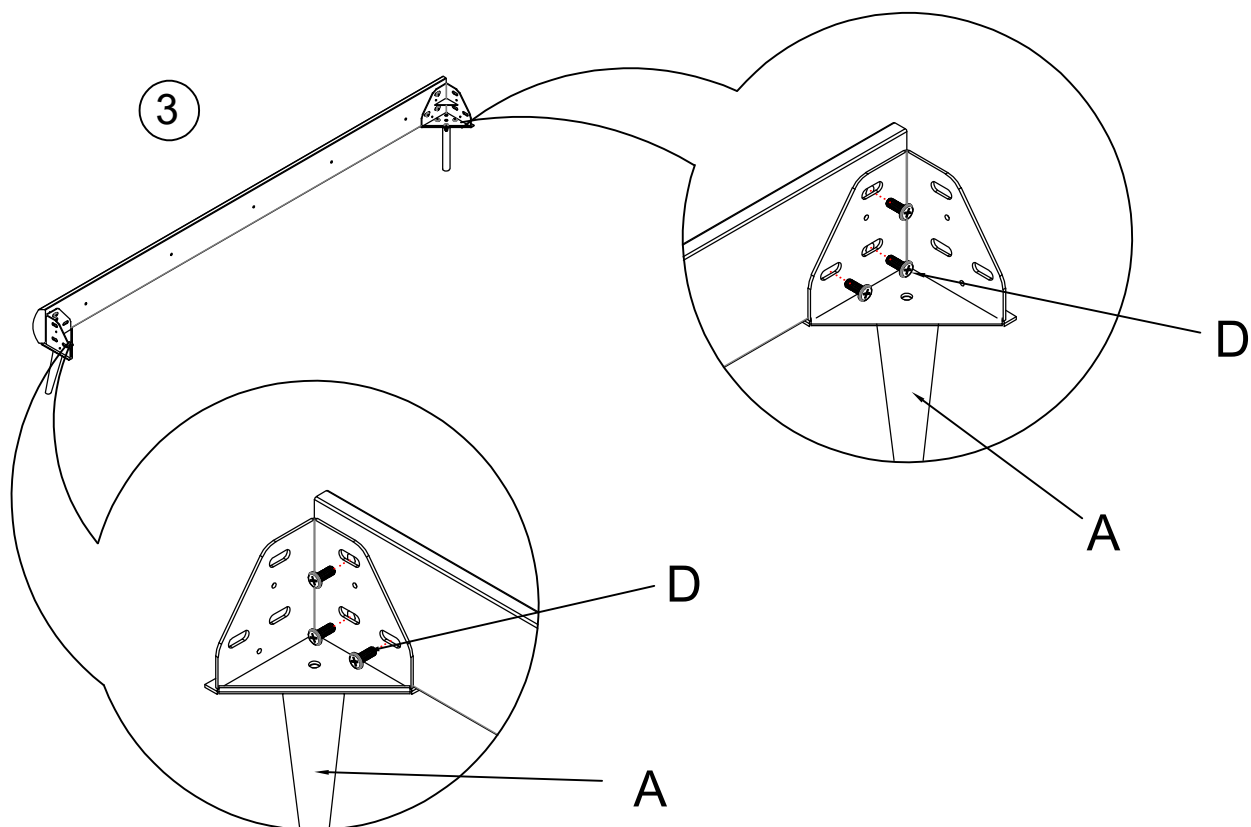
⑤ \*2




⑥ \*1

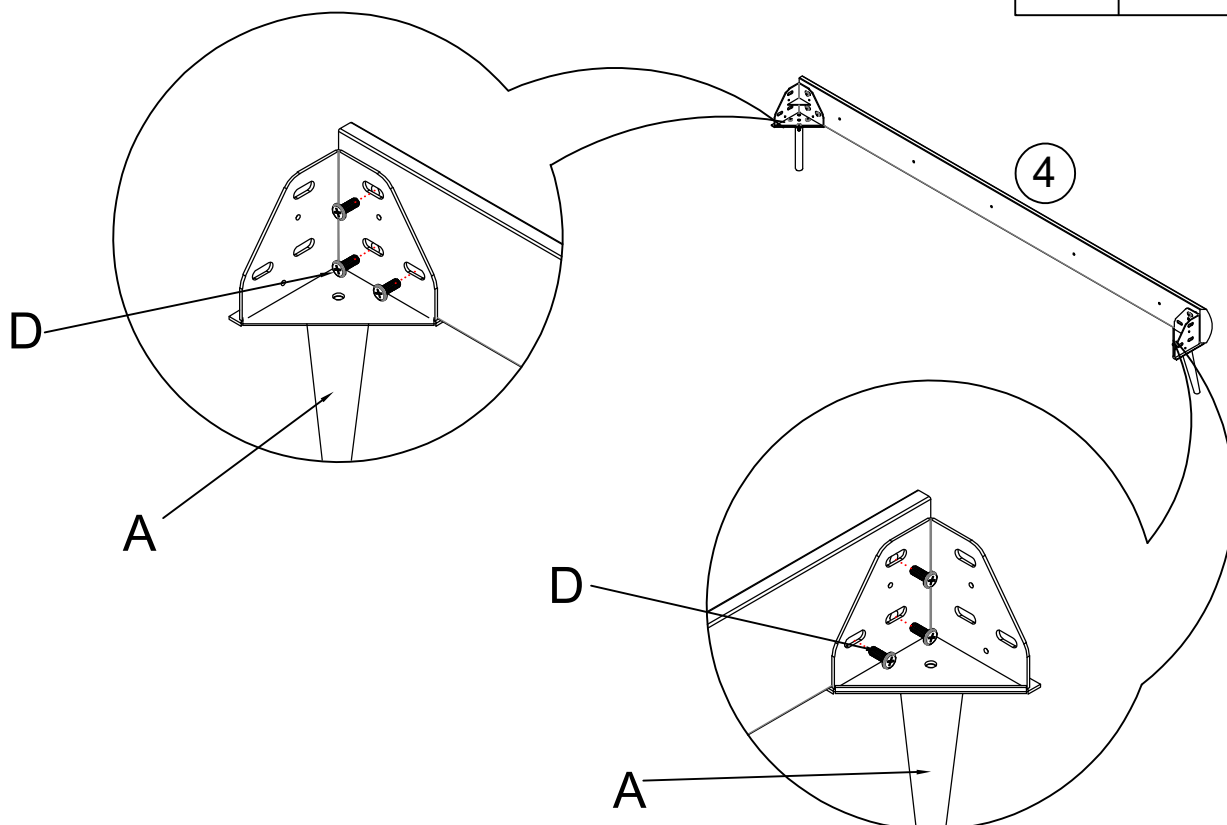
# 1

D		*6
A		*2



# 2

D		*6
A		*2

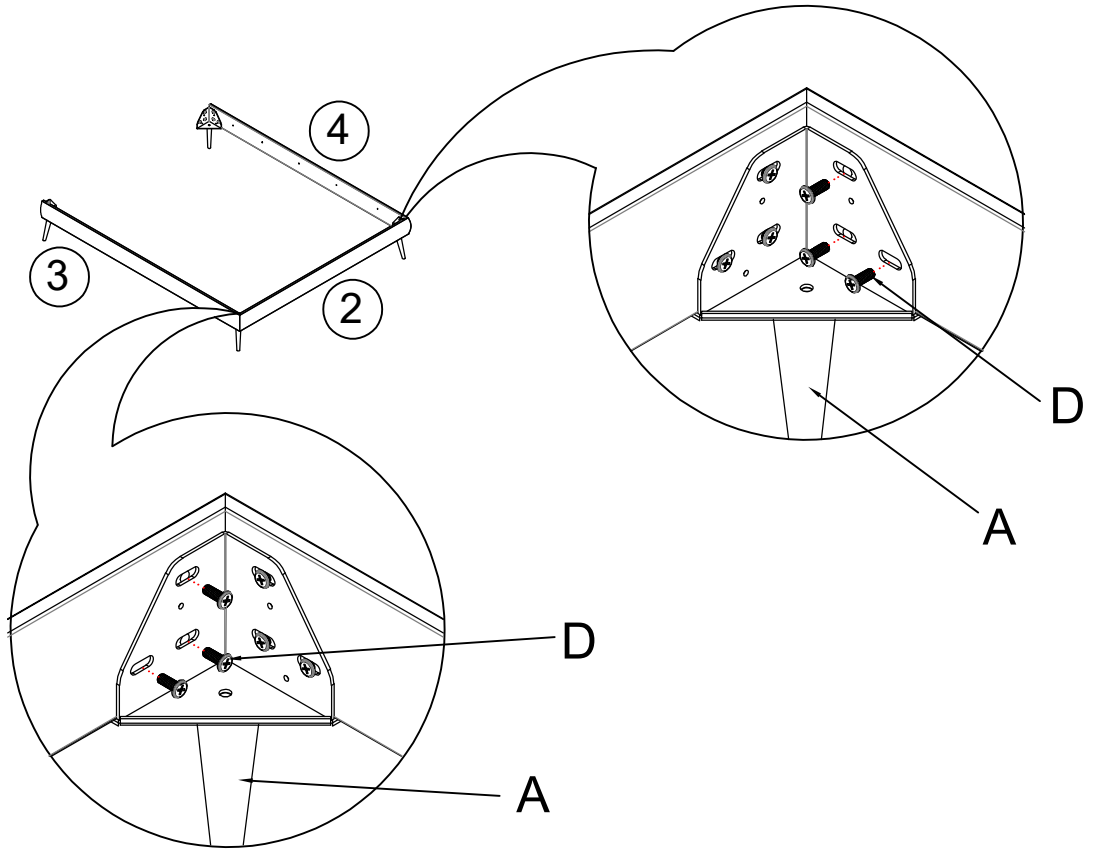


# 3

D



\*6

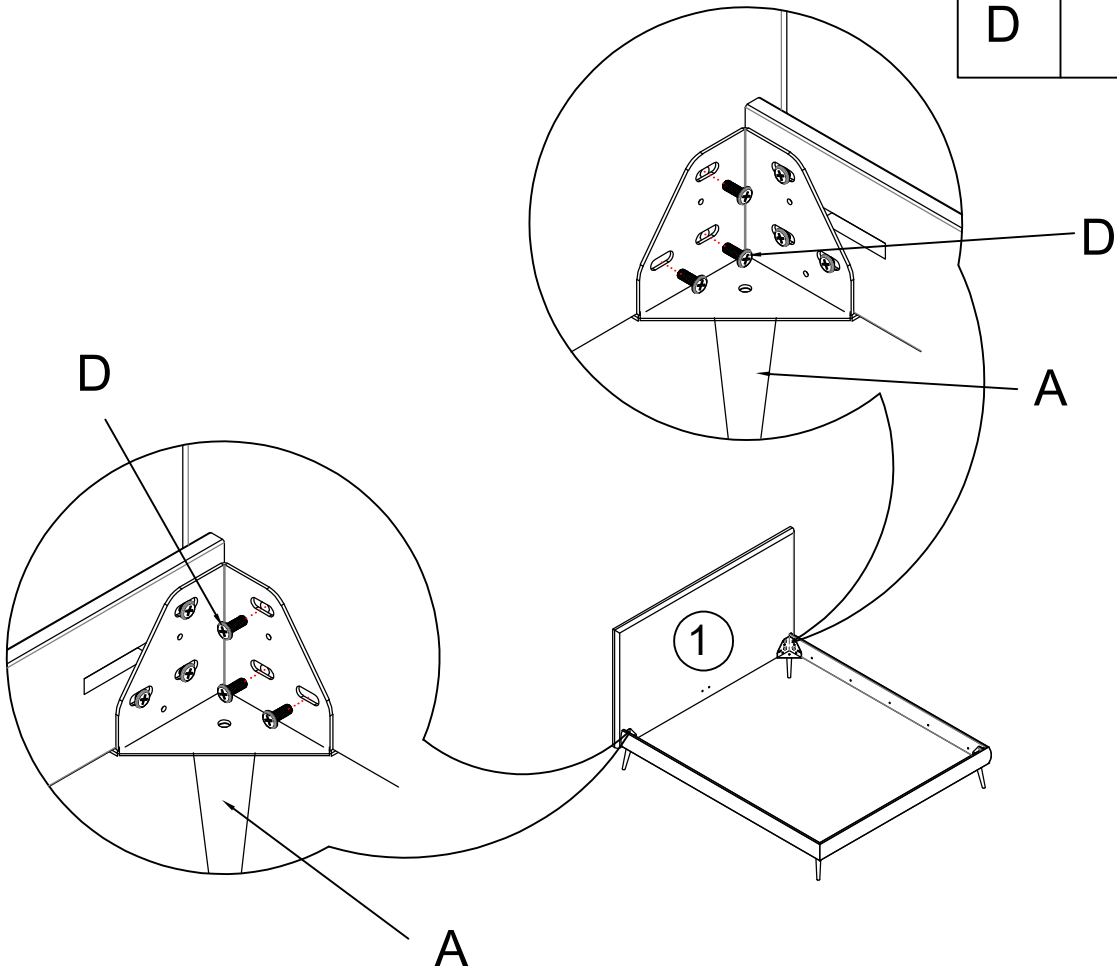


# 4

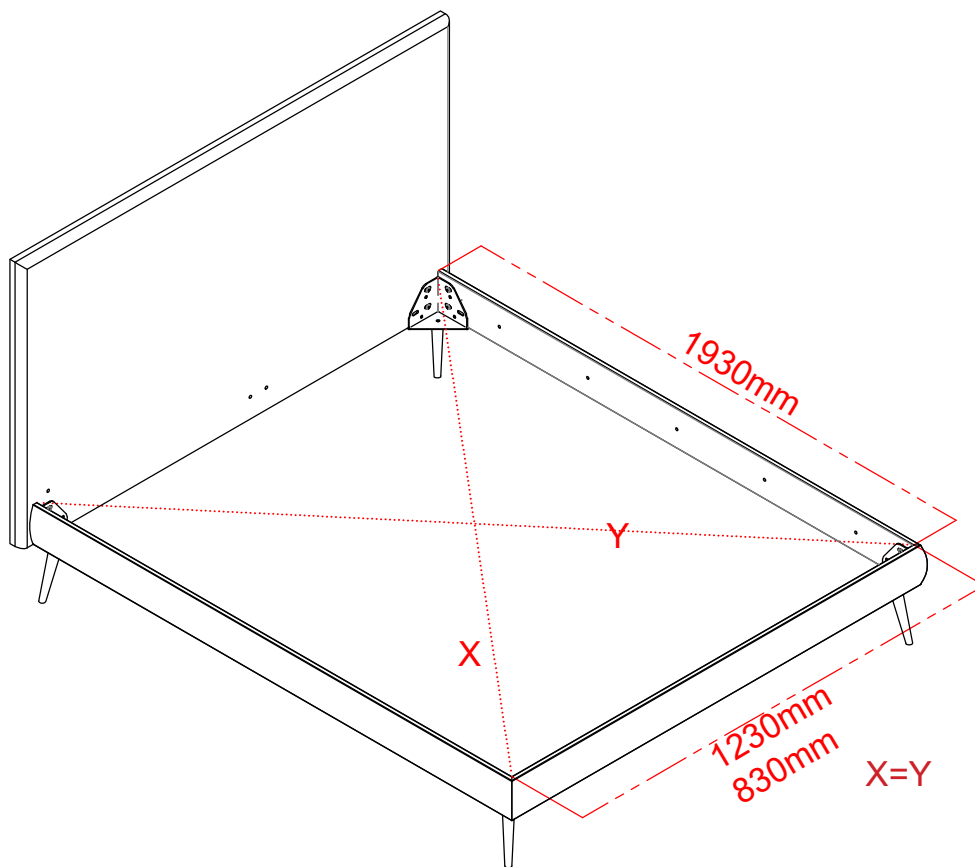
D



\*6

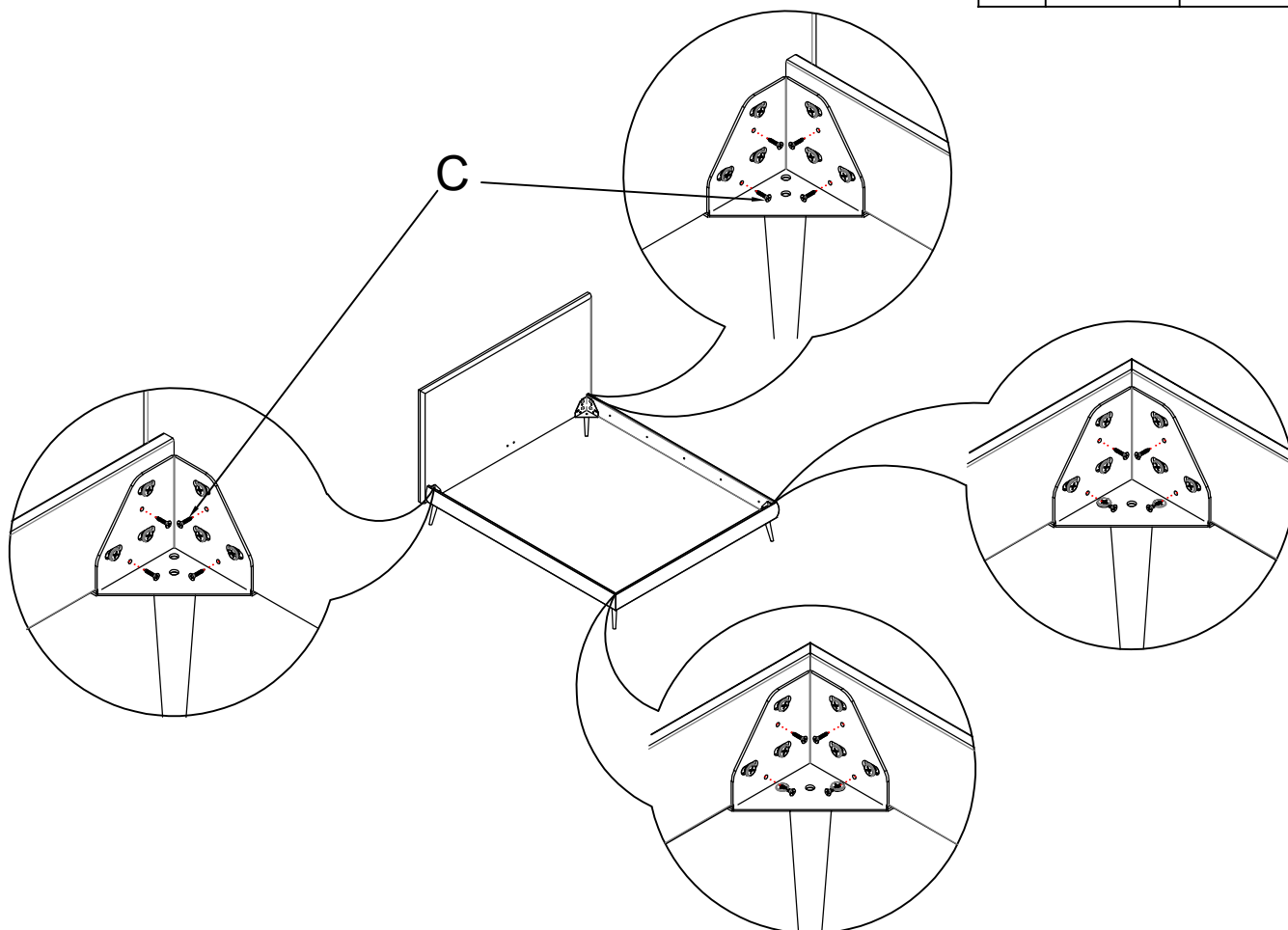


# 5



# 6

C		*16
---	--	-----

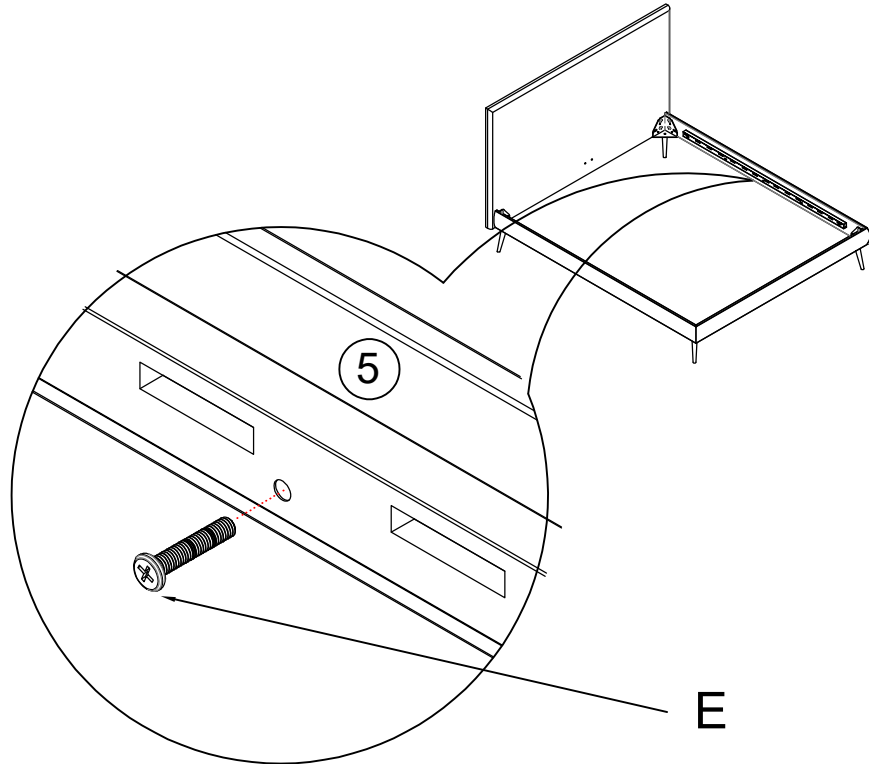


# 7

E



\*10

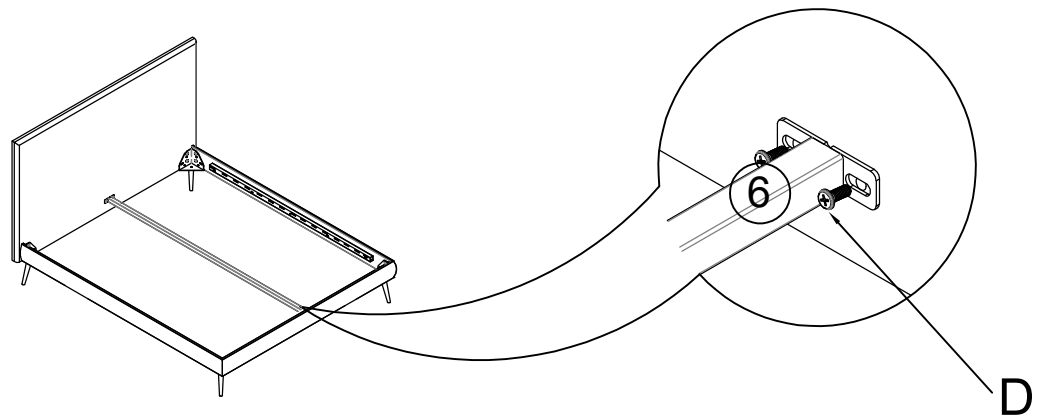


# 8

D

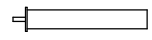


\*4

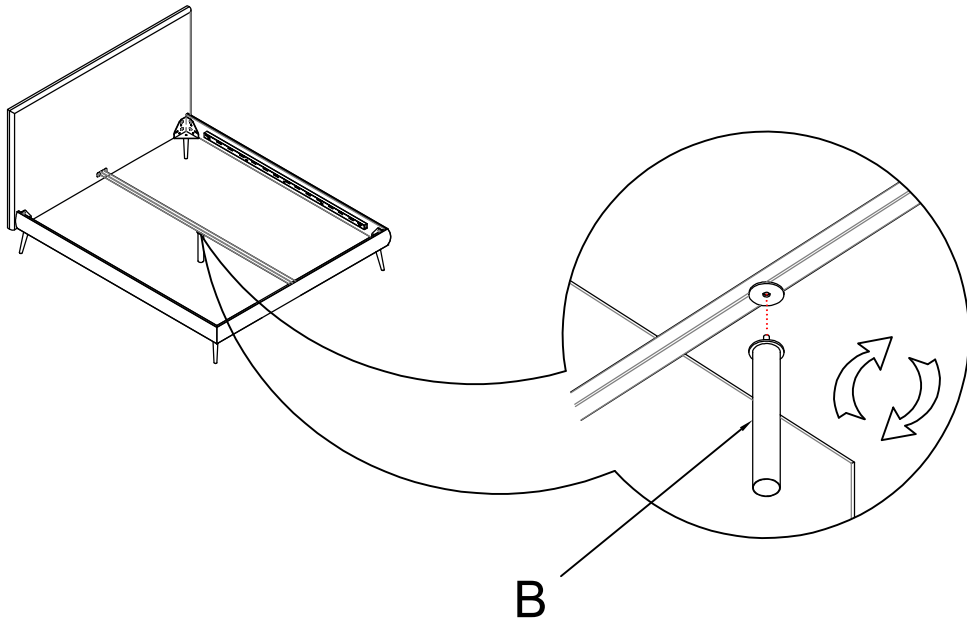


# 9

B



\*1



# 10

F

\*15

