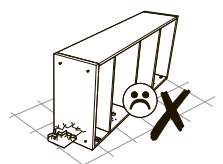
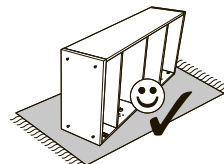
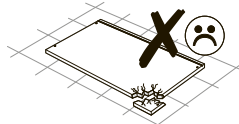
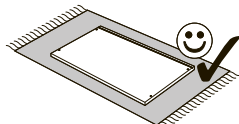
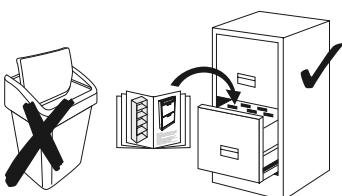
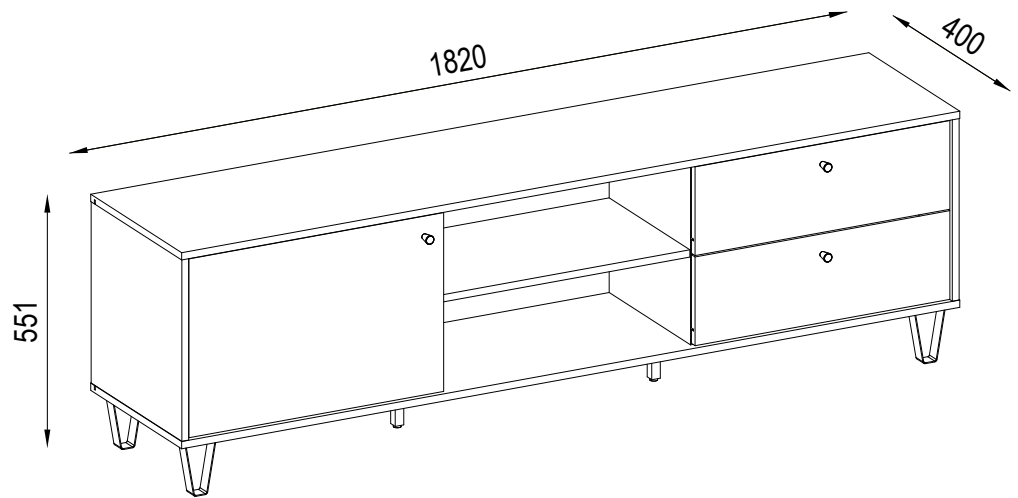
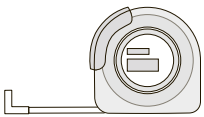
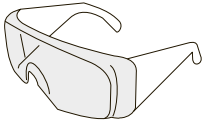
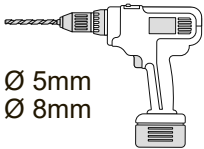
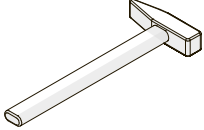
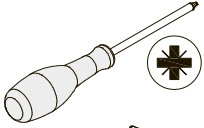
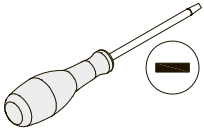
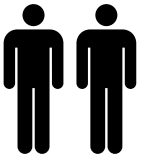
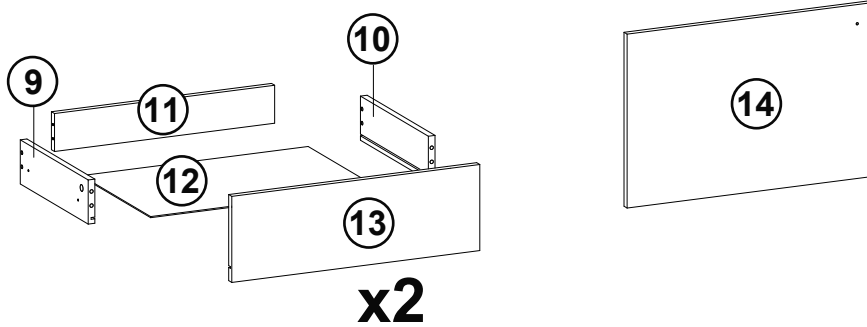
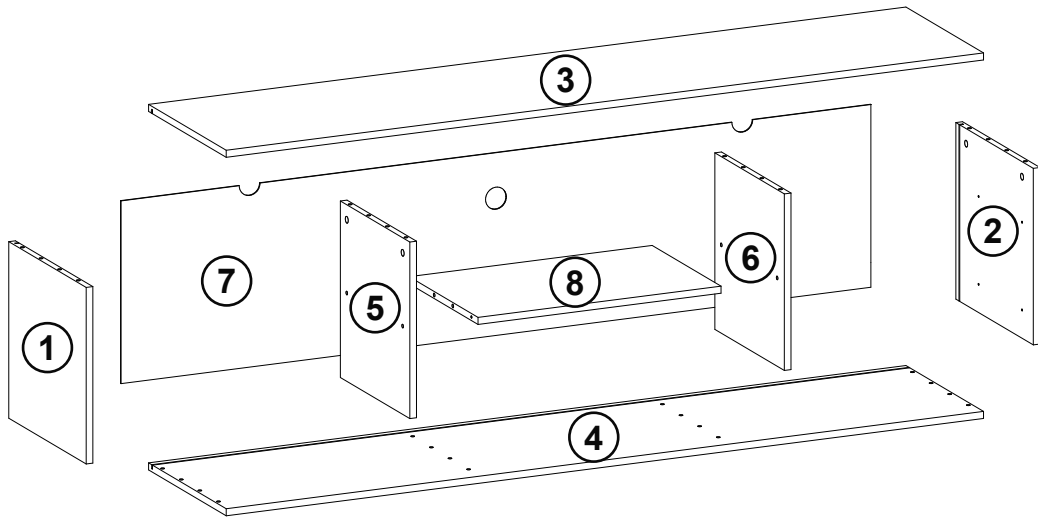
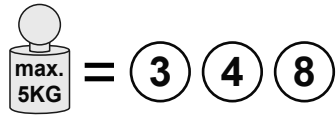
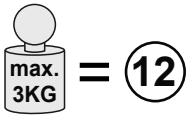




ALDO 01

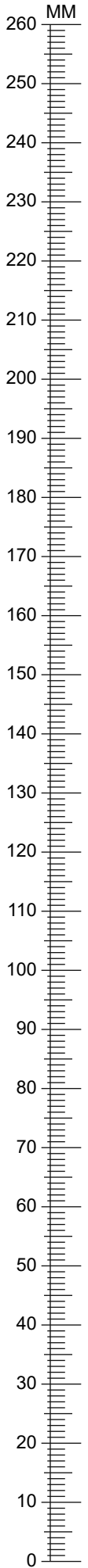
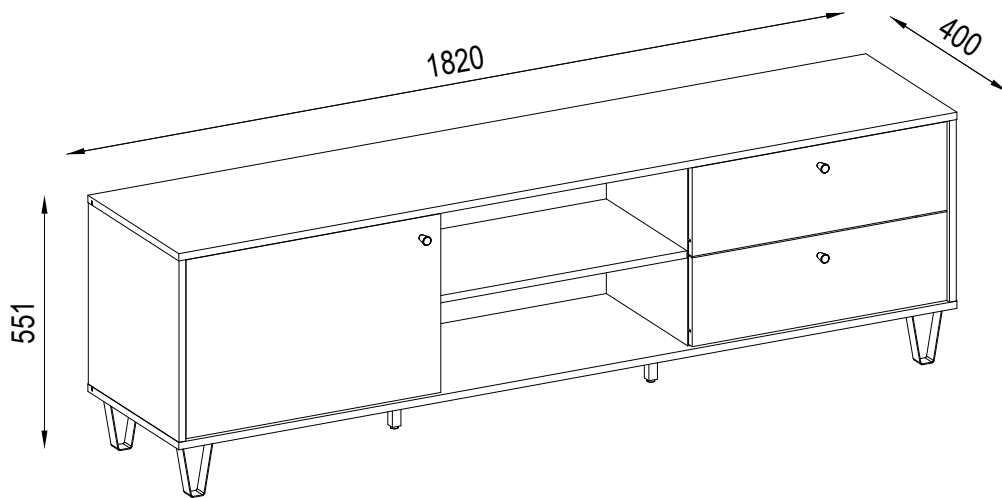
04.01.2024





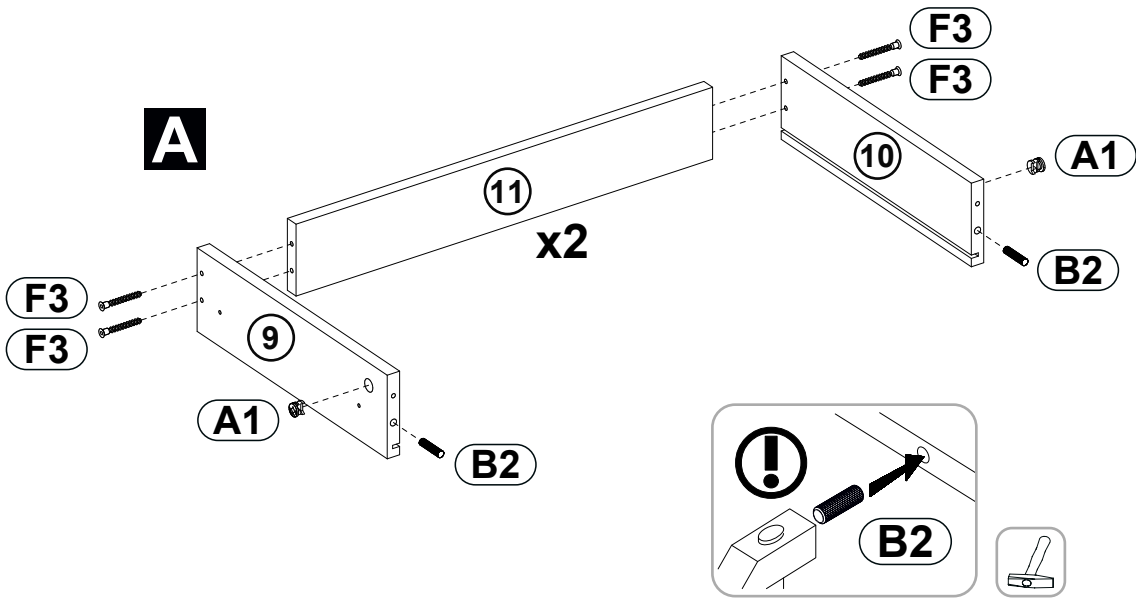
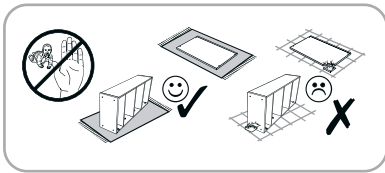
A	B (mm)		C	D
1	399	399	16	x1 1/1
2	399	399	16	x1 1/1
3	1820	400	16	x1 1/1
4	1820	400	16	x1 1/1
5	399	358	16	x1 1/1
6	399	358	16	x1 1/1
7	1802	413	2,5	x1 1/1
8	584	355	16	x1 1/1

A	B (mm)		C	D
9	350	100	16	x2 1/1
10	350	100	16	x2 1/1
11	529	86	16	x2 1/1
12	545	357	2,5	x2 1/1
13	596	195	16	x2 1/1
14	596	393	16	x1 1/1

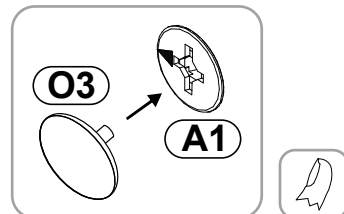
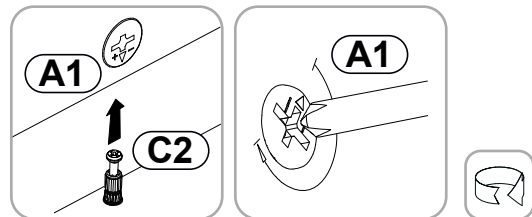
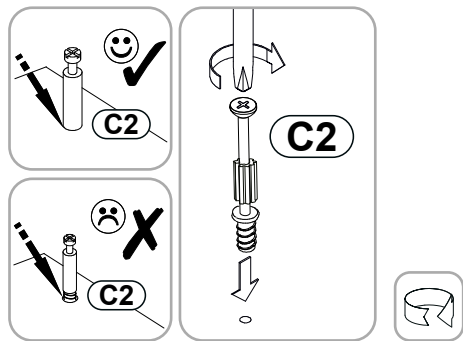
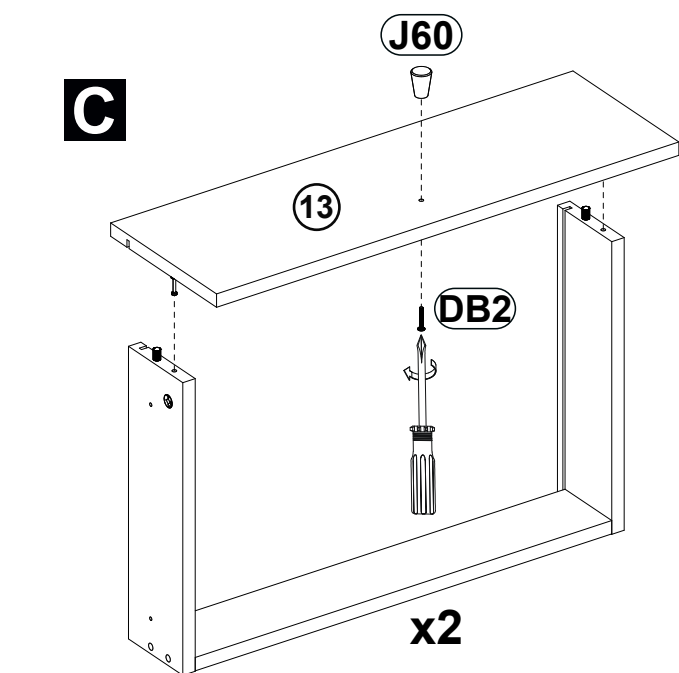
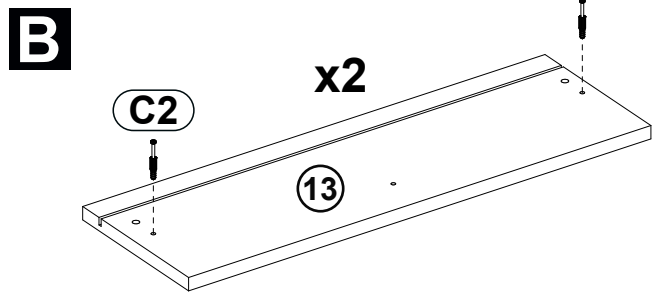
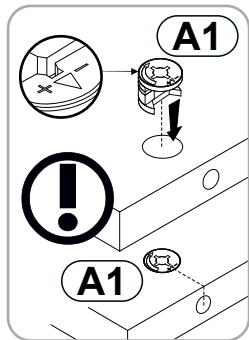
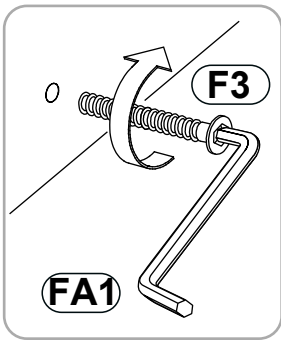


FA1 4mm x1	F3 6,3x50 x20	B2 8x30 x24
A1 15x12 x12	C2 44mm x12	O3 Ø18 x8
K12 Ø35 x2	J60 Ø19 x3	I5 350 x2
D10 3x16 x8	D11 3,5x16 x8	DA21 4,2x16 x22
P14 + 4x16 h=120 x4	P6 120x20x20 x2	M1 10x10x15 x16
E6 5x13 x8	DB2 4x25 x3	Y36 75x32x15 x2
Y37 8x50 x2	Y38 5x50 x2	O4 Ø12 x2

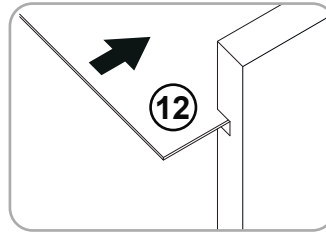
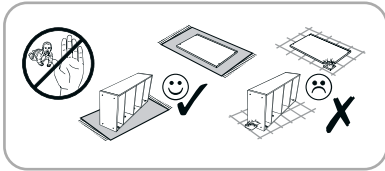
1







FA1		x1
F3		x8
A1		x4
C2		x4
B2		x4
J60		x2
DB2		x2
O3		x4

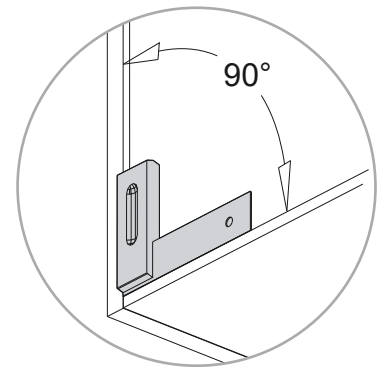
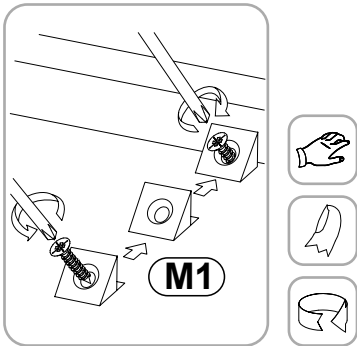
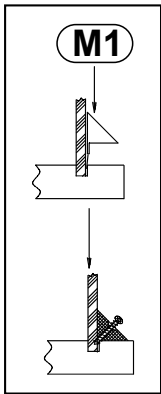
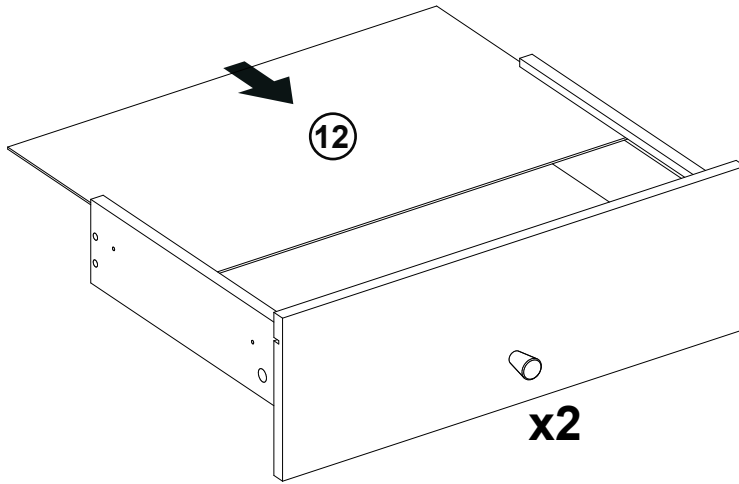


2



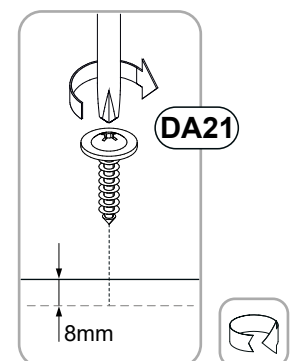
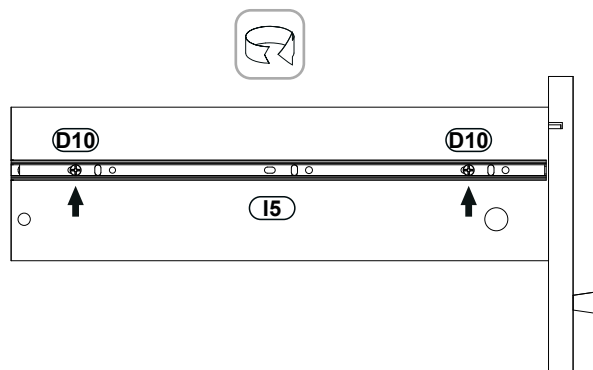
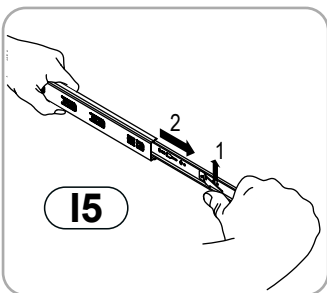
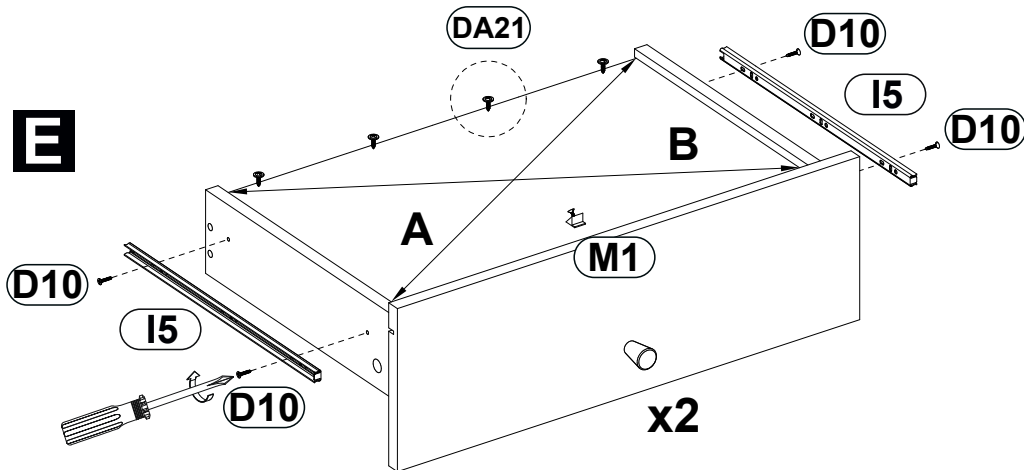
- DA21**  **x8**
4,2x16
- I5**  **x2**
350
- D10**  **x8**
3,0x16
- M1**  **x2**
10x10x15

D

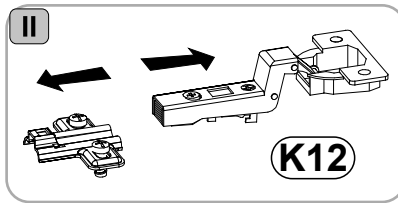
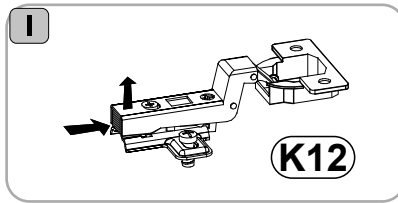
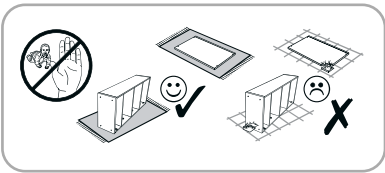



A=B


E

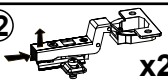


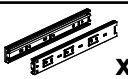
3




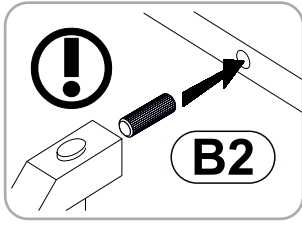
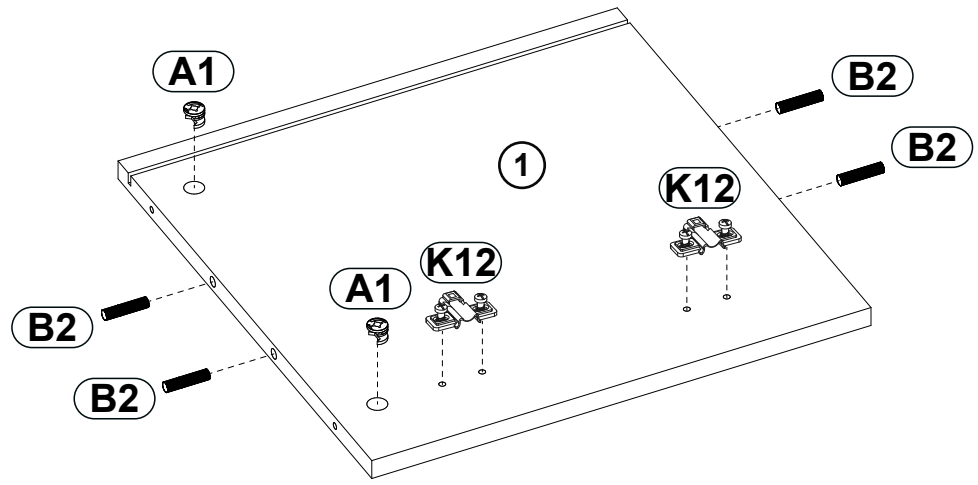
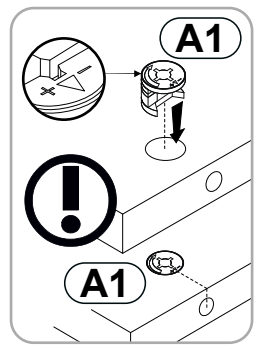
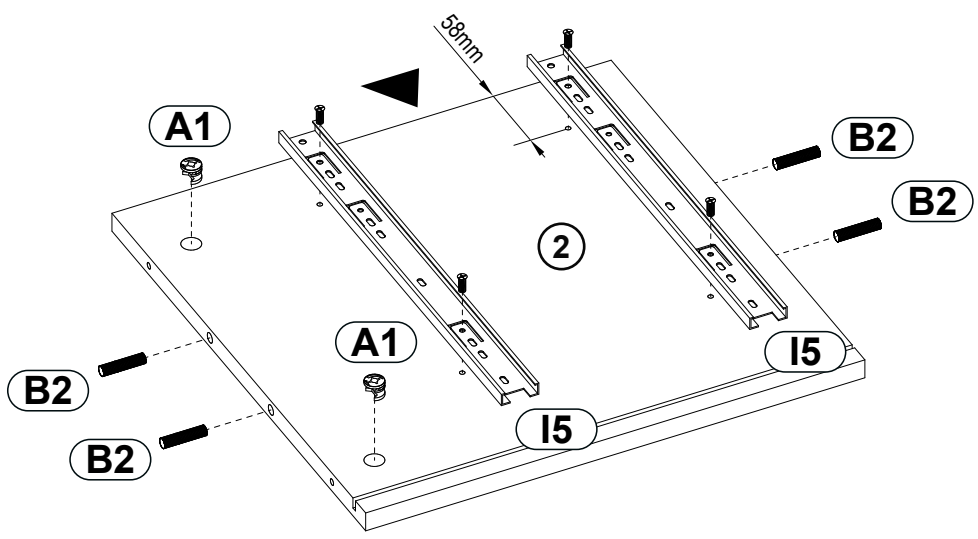
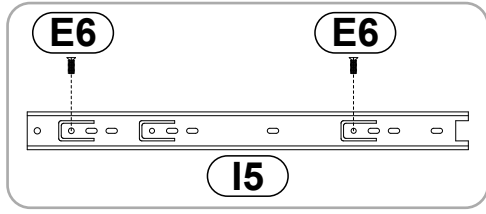
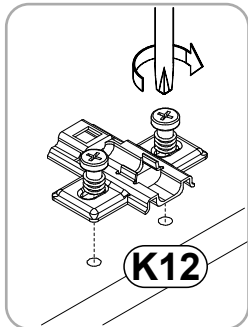
A1  **x4**
15x12

B2  **x8**
8x30

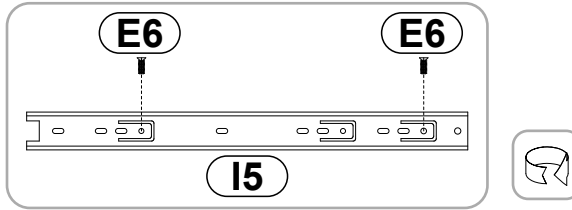
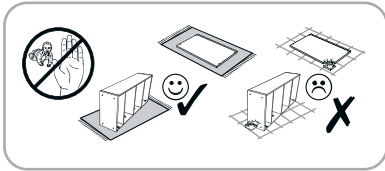
K12  **x2**
Ø35



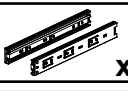

I5  **x2**
350

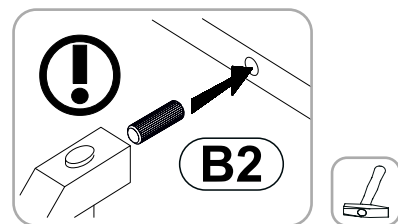
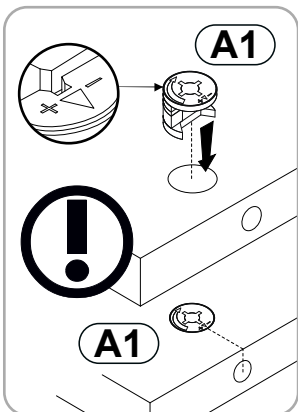
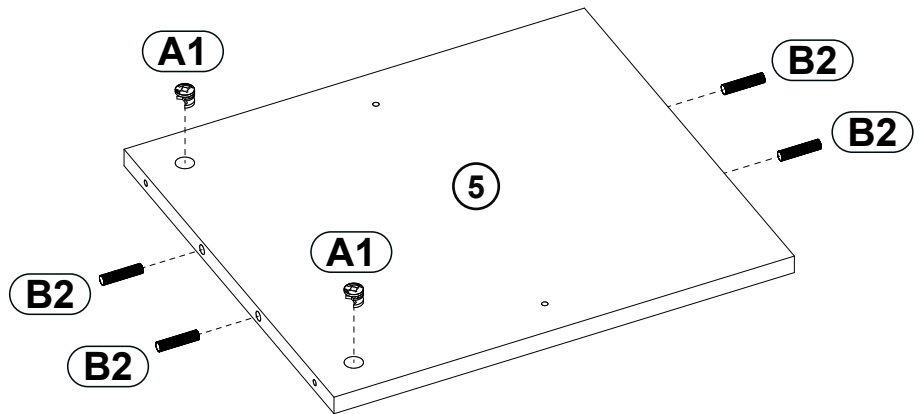
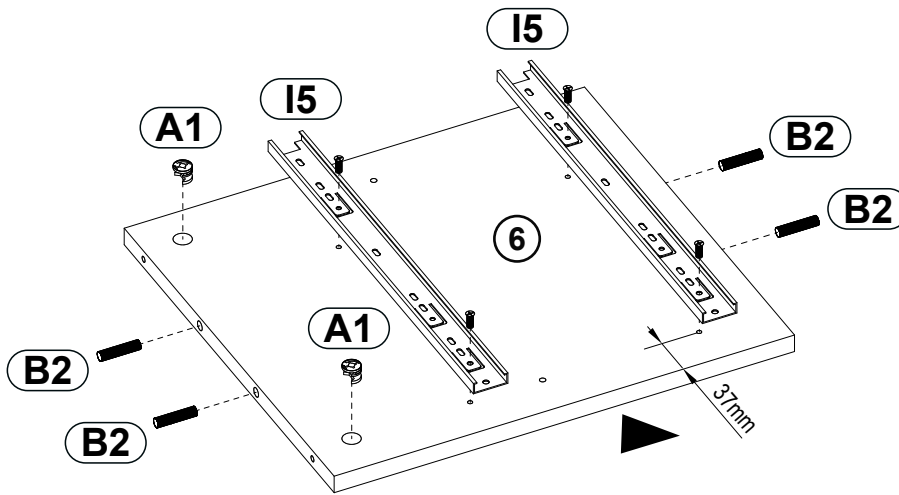
E6  **x4**
5x13



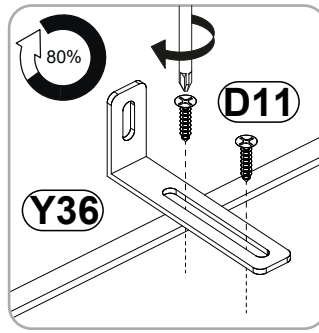
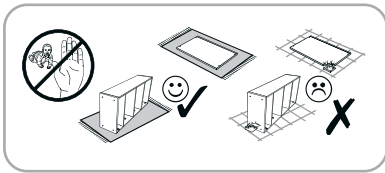
4



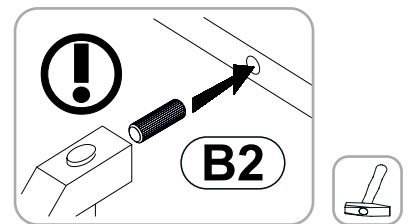
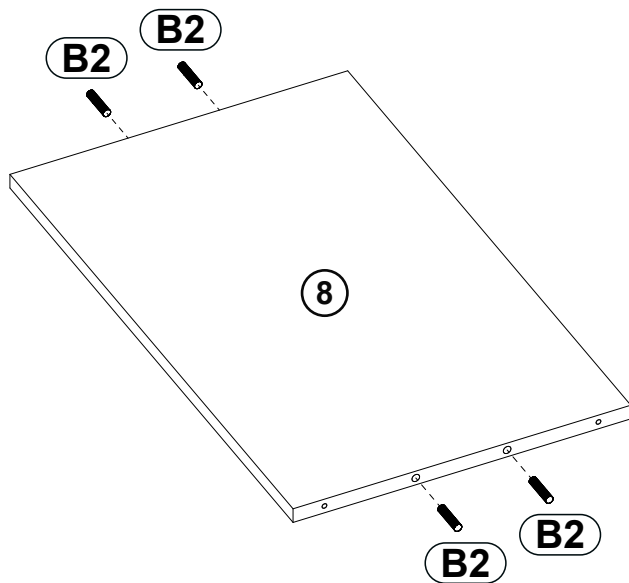
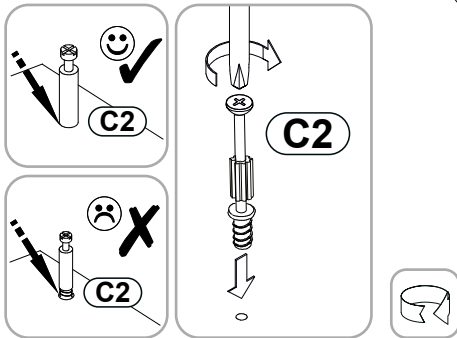
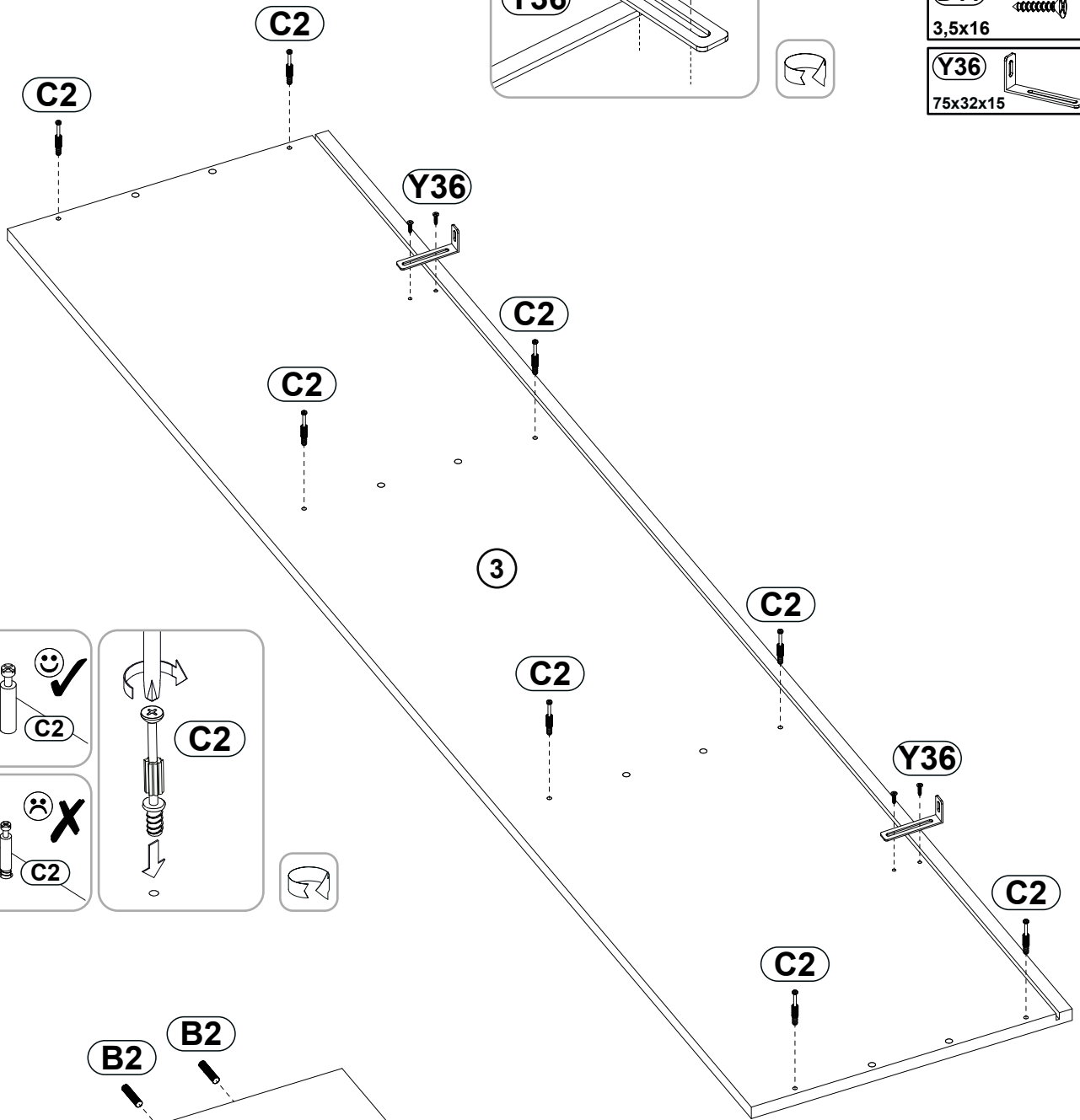
- A1**  **x4**
15x12
- B2**  **x8**
8x30
- I5**  **x2**
350
- E6**  **x4**
5x13



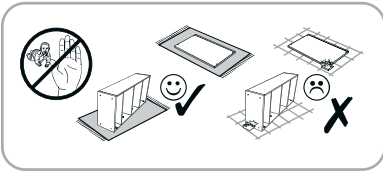
5




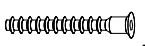
- C2** 44mm x8 x8
- B2** 8x30 x4
- D11** 3,5x16 x4
- Y36** 75x32x15 x2




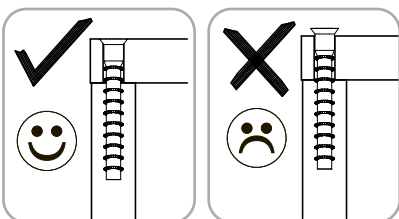
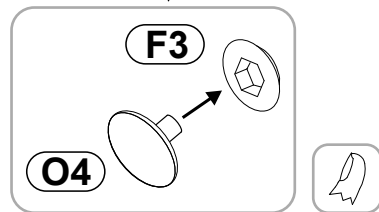
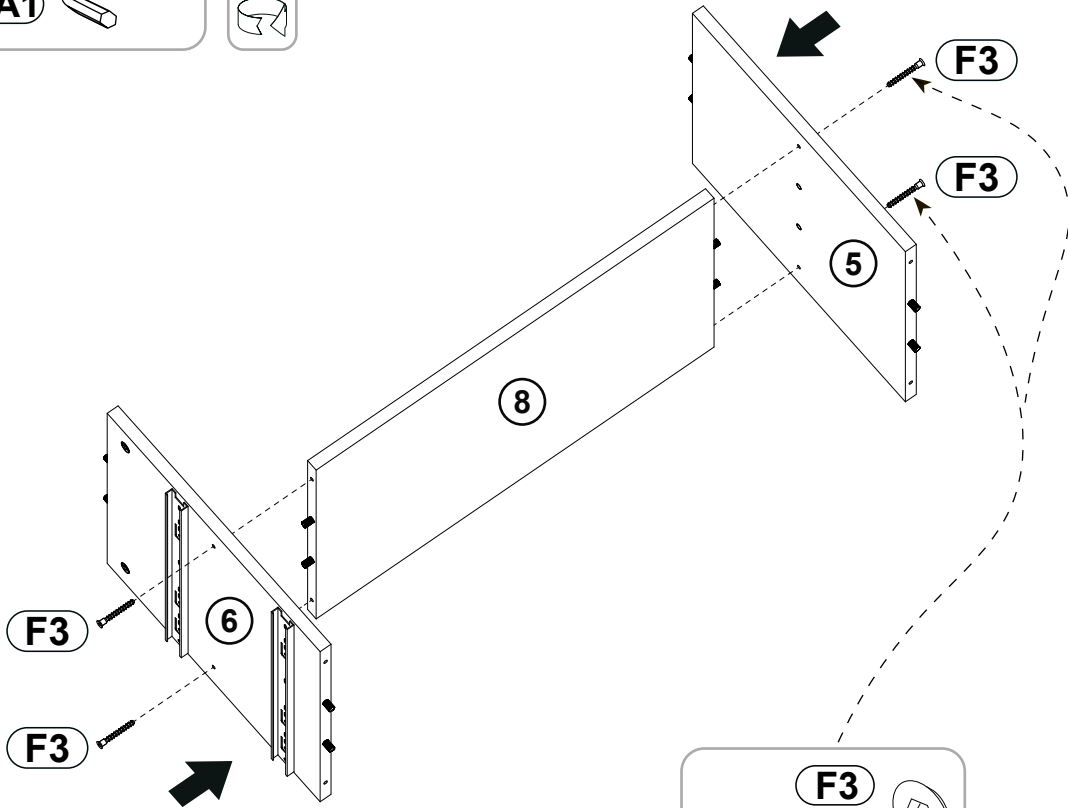
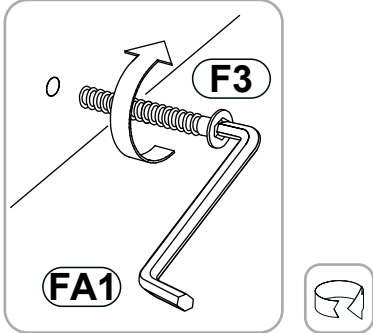
6



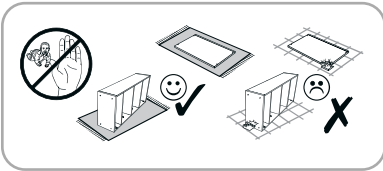
FA1  **x1**
4mm

F3  **x4**
6,3x50

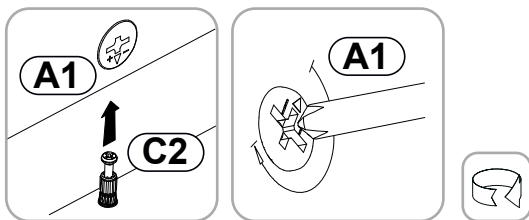
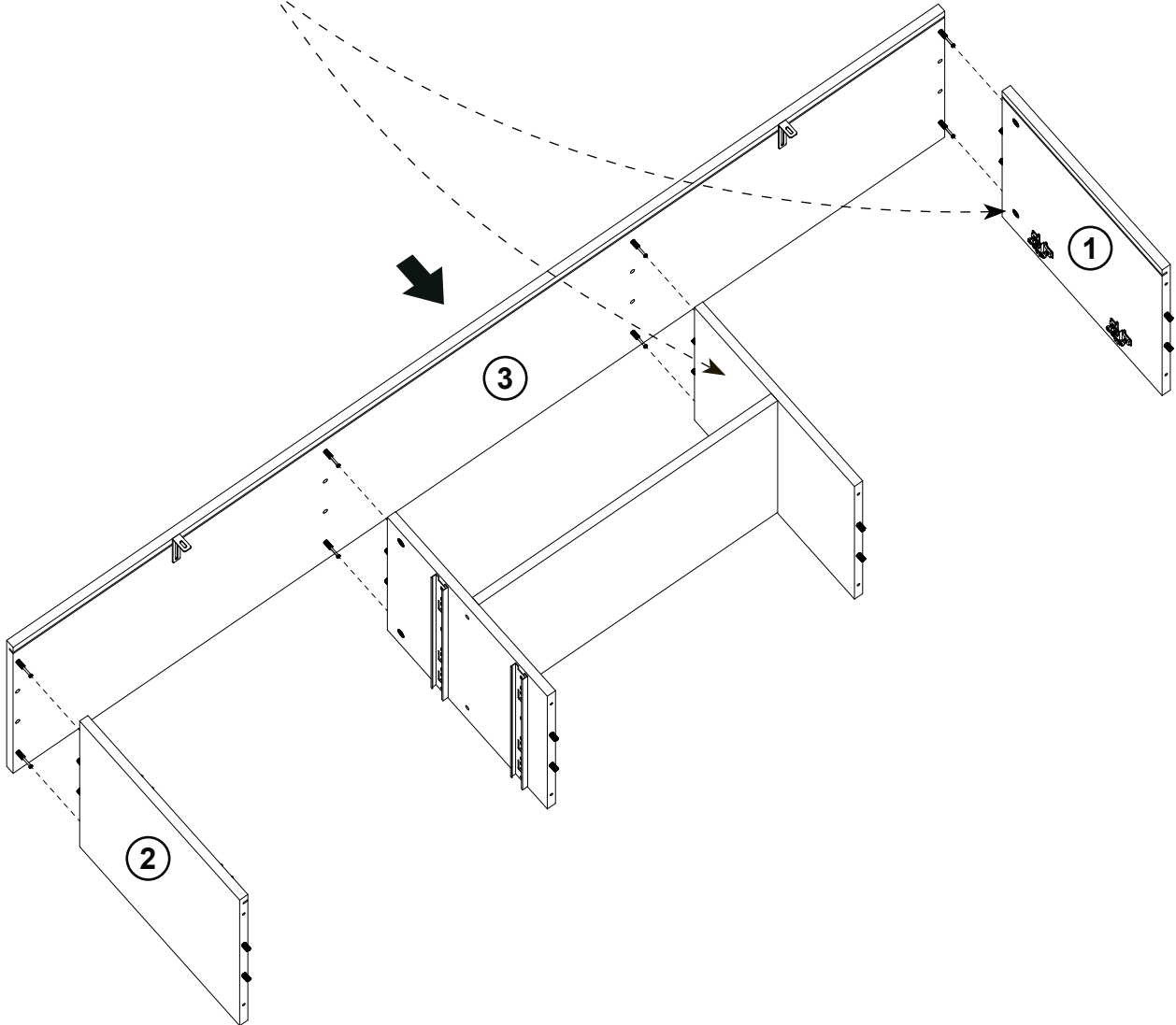
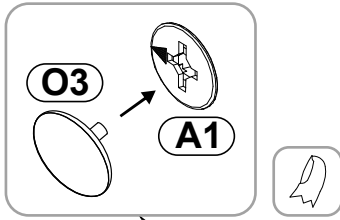

O4  **x2**
Ø12



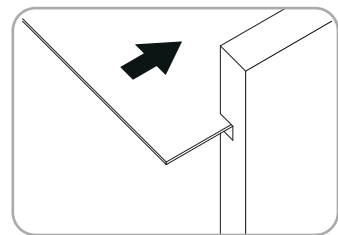
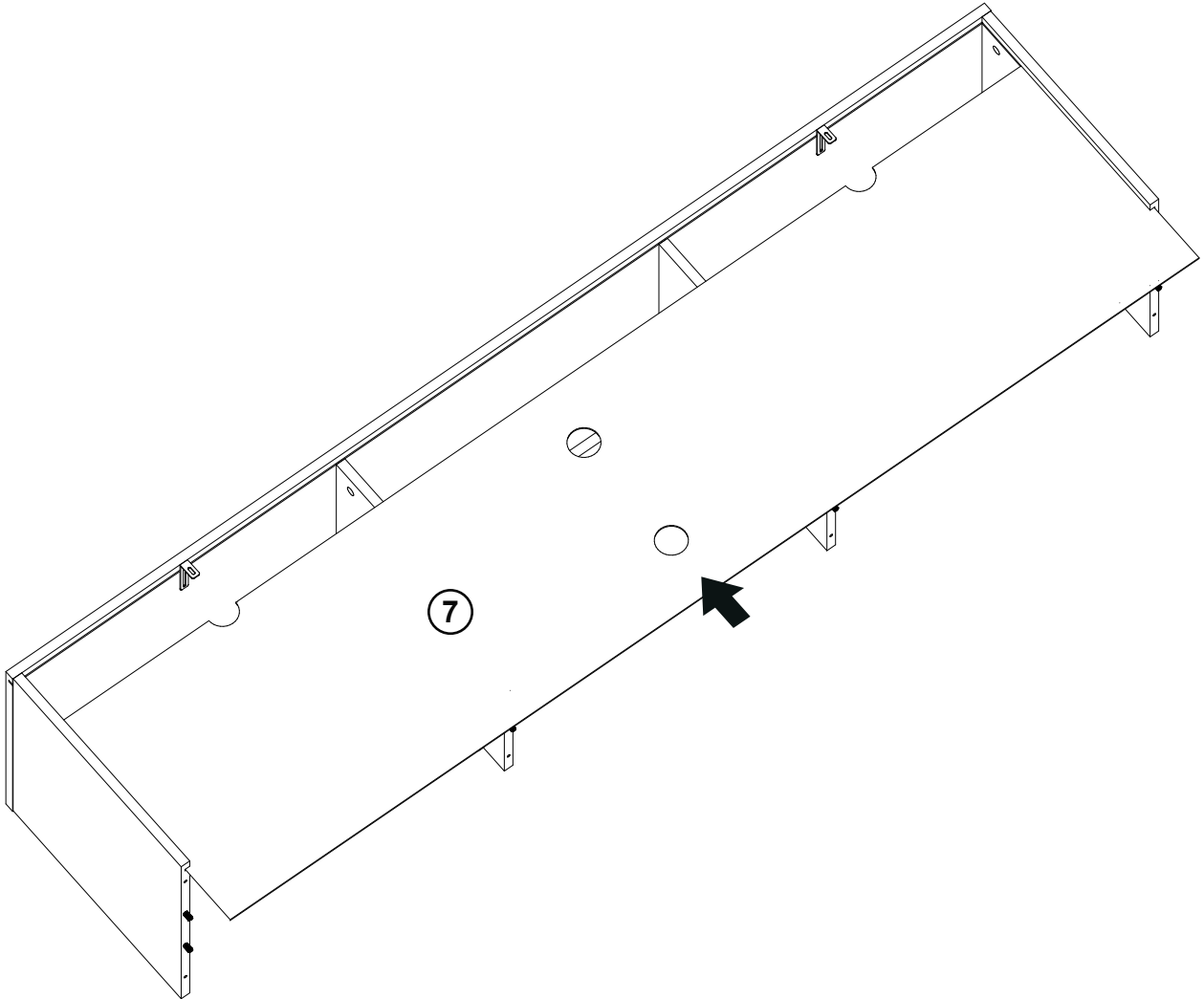
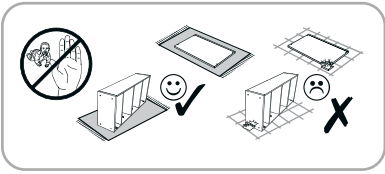
7



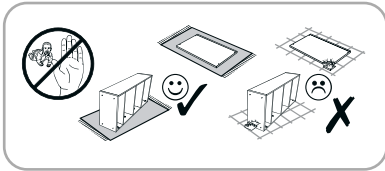
O3
Ø18 x4



8

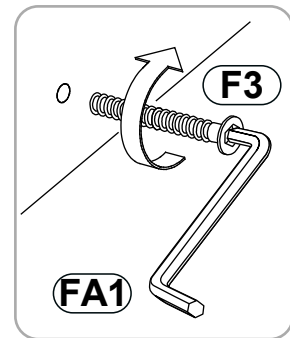
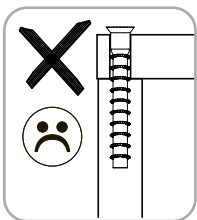
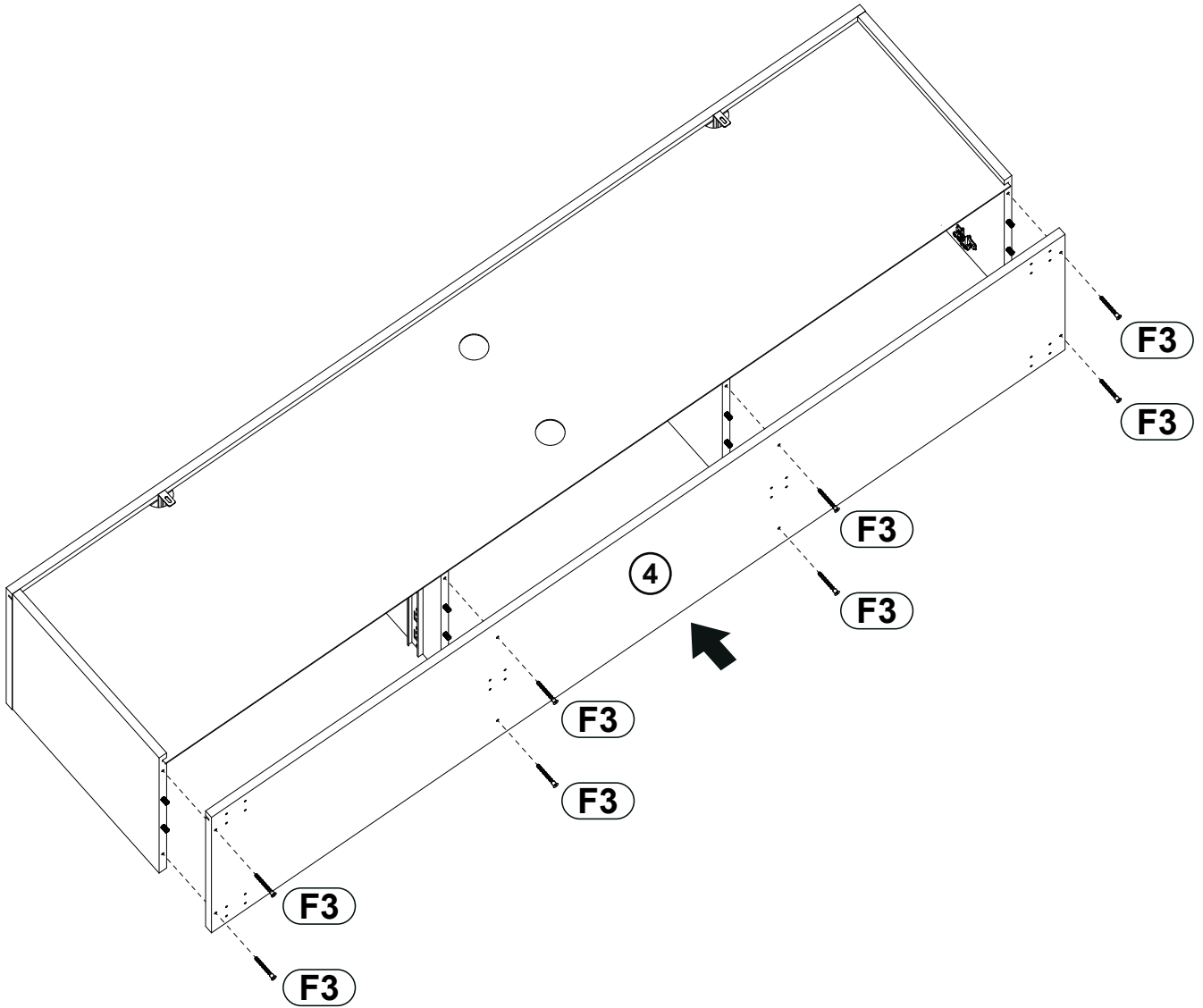


9

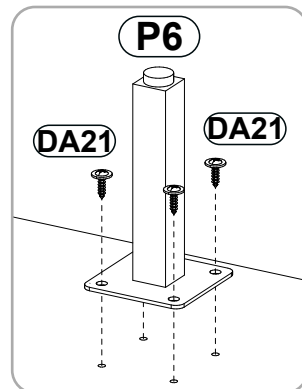
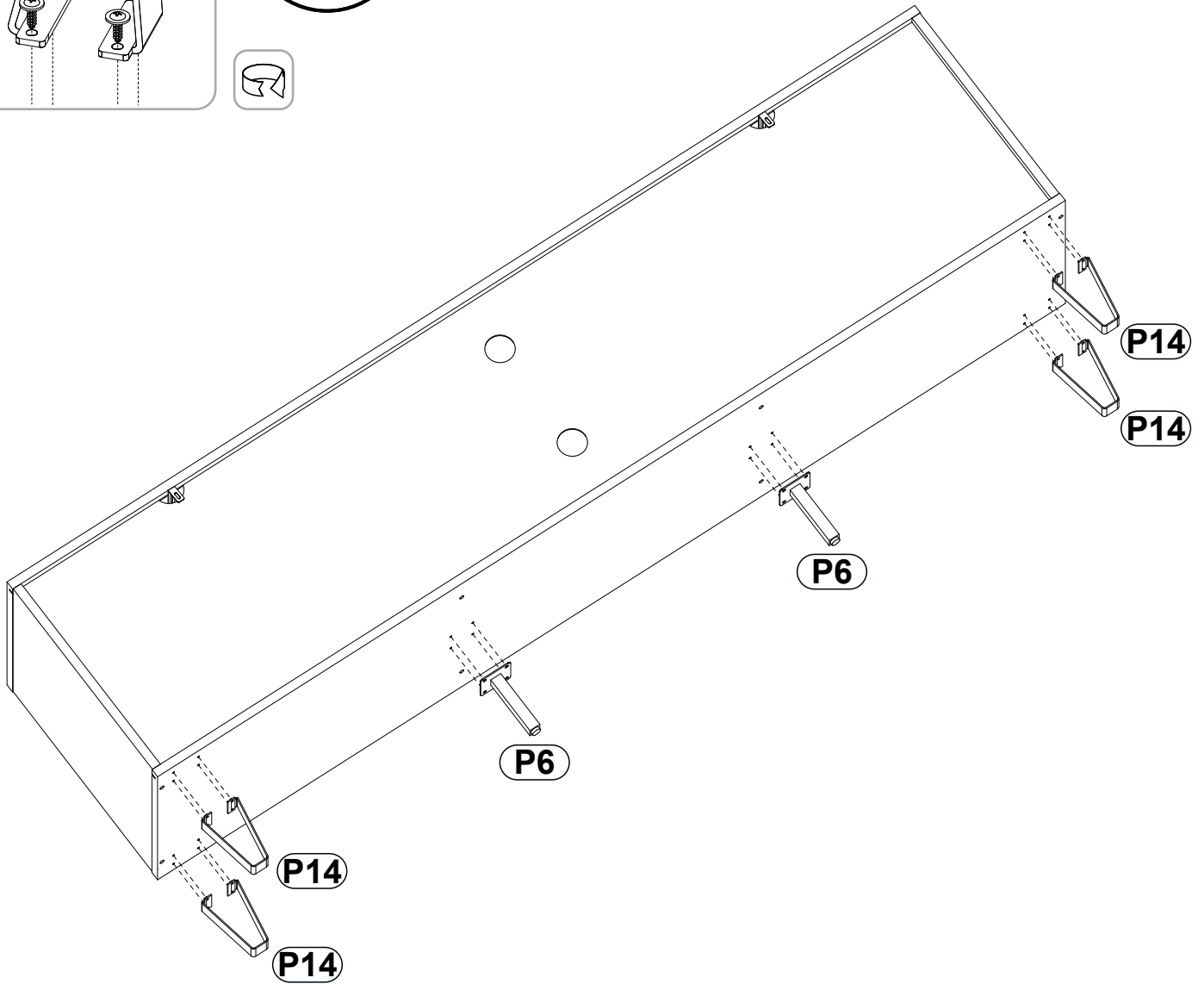
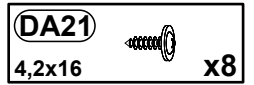
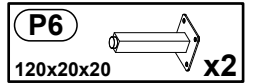
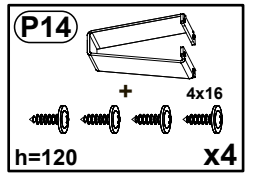
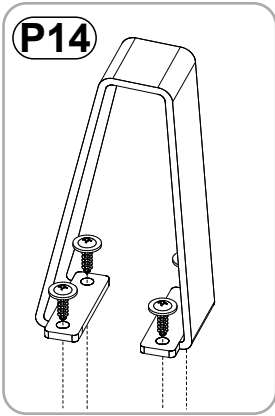
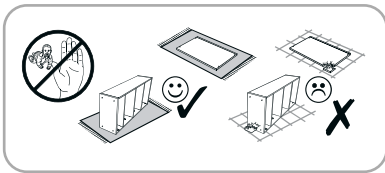


FA1
4mm x1

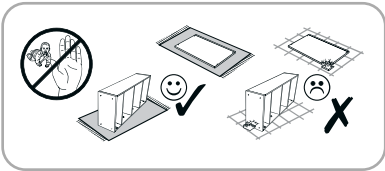
F3
6,3x50 x8




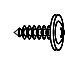
10

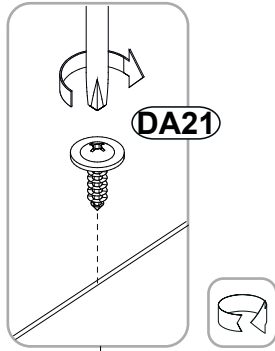
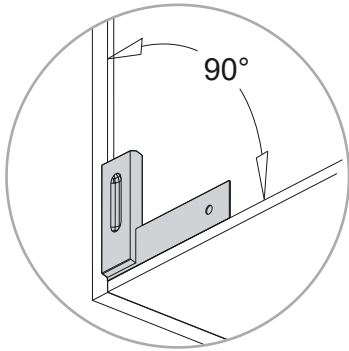


11

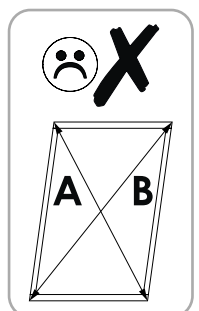
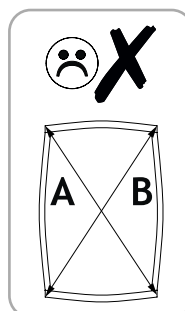
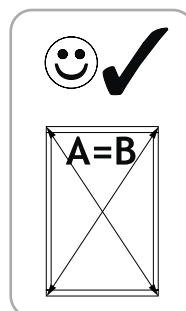
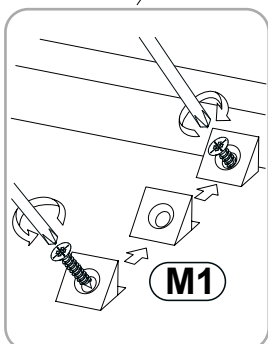
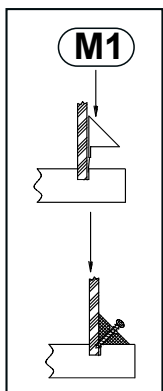
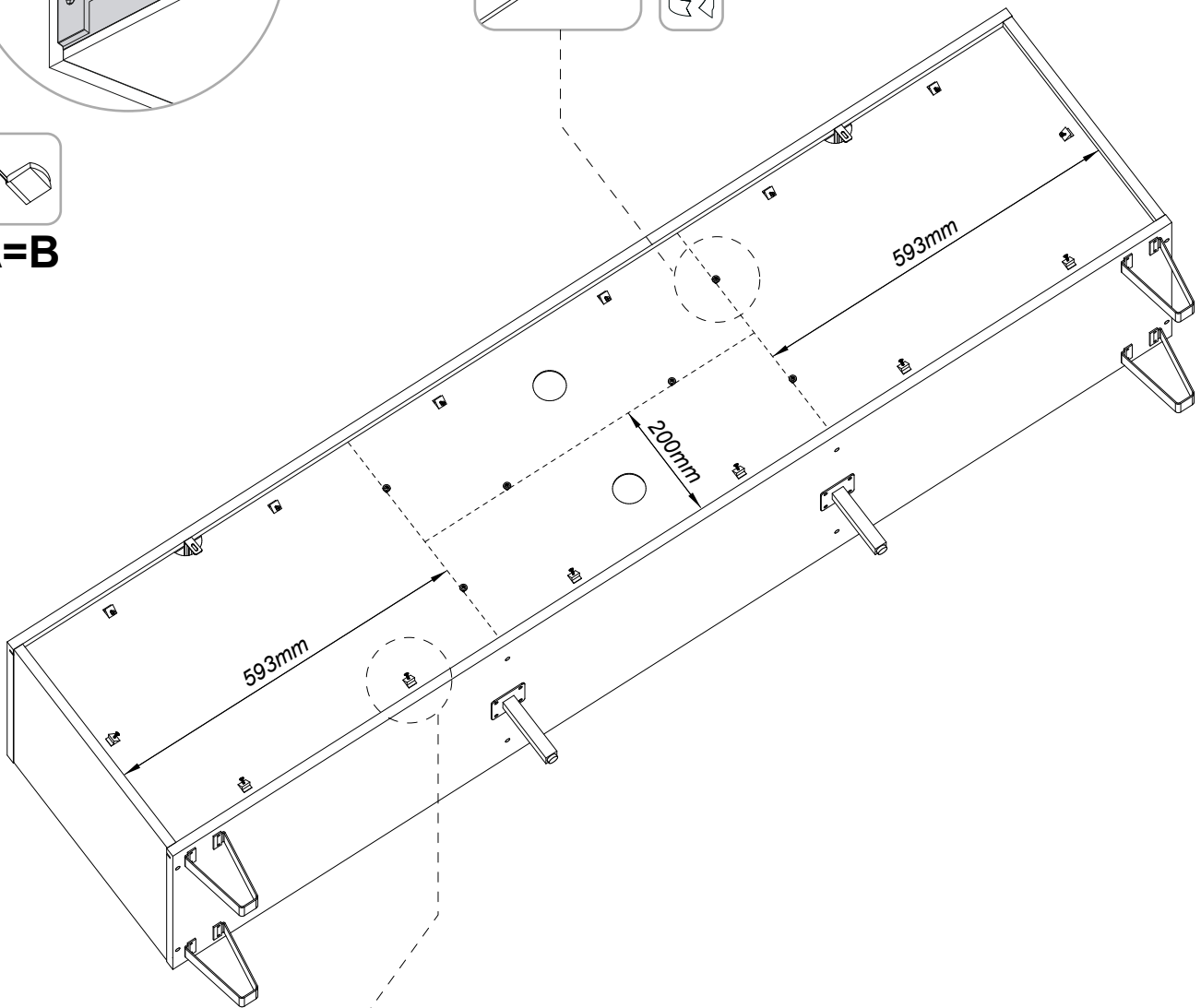


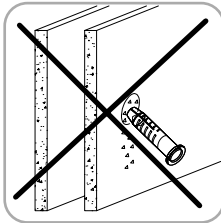
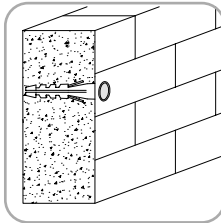
M1
10x10x15  **x14**


DA21
4,2x16  **x6**



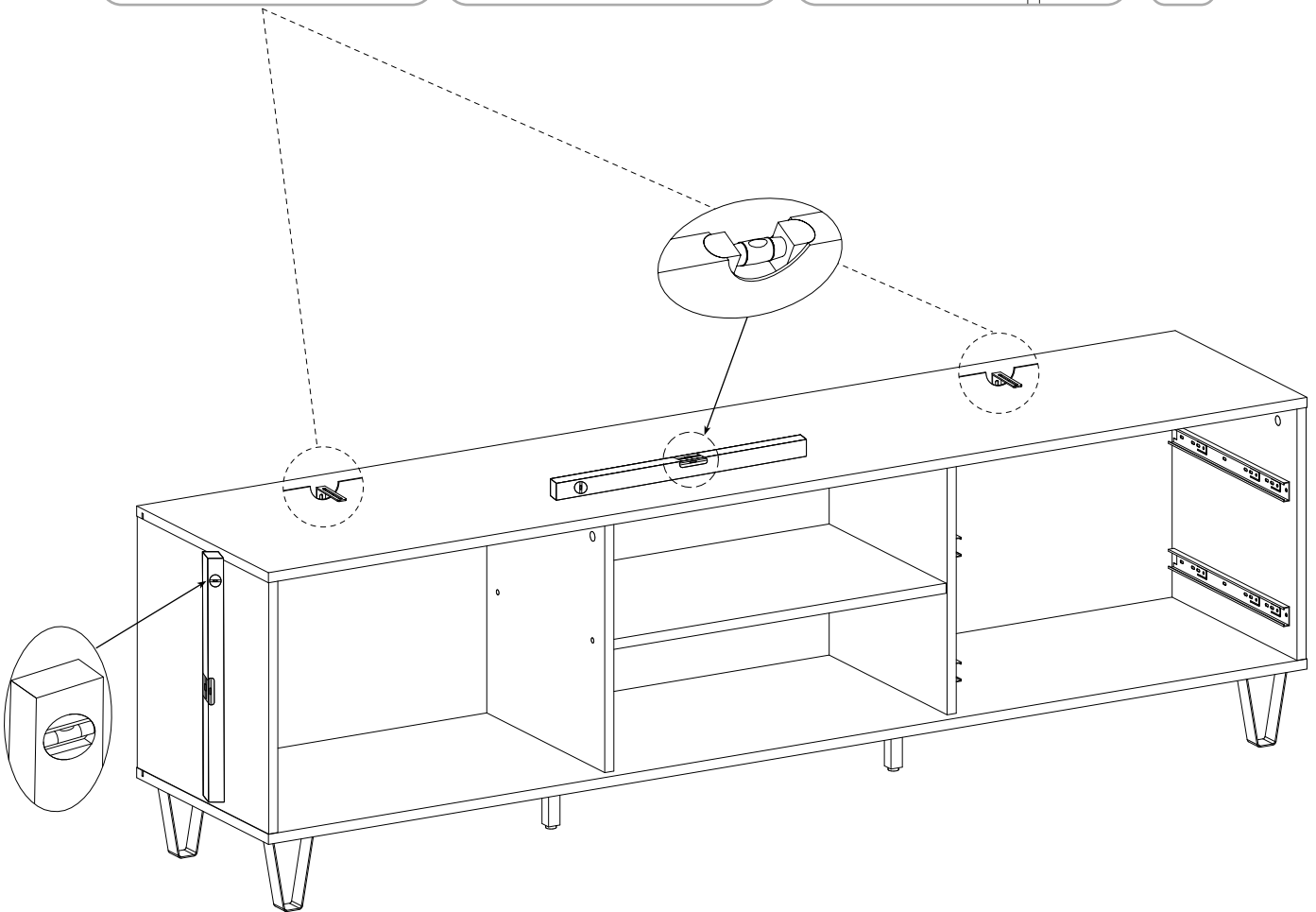
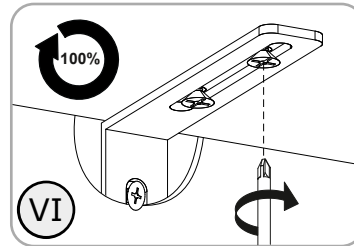
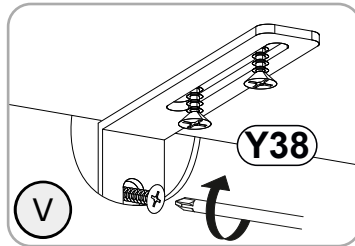
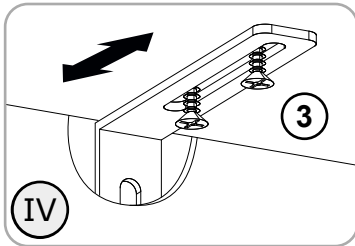
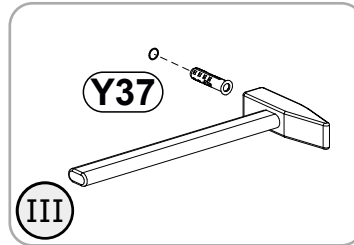
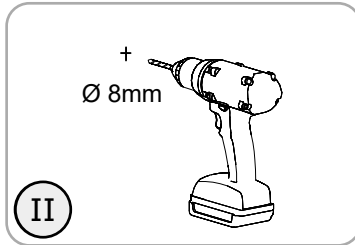
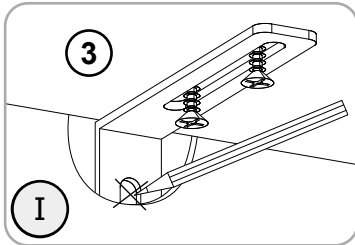
A=B



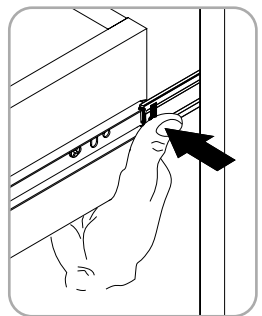
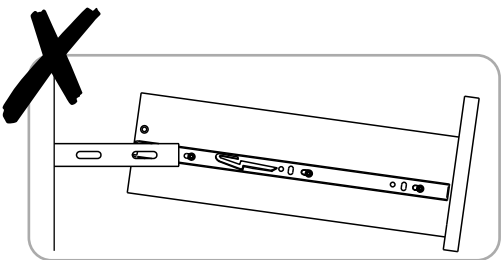
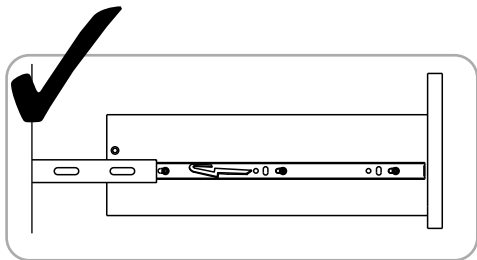
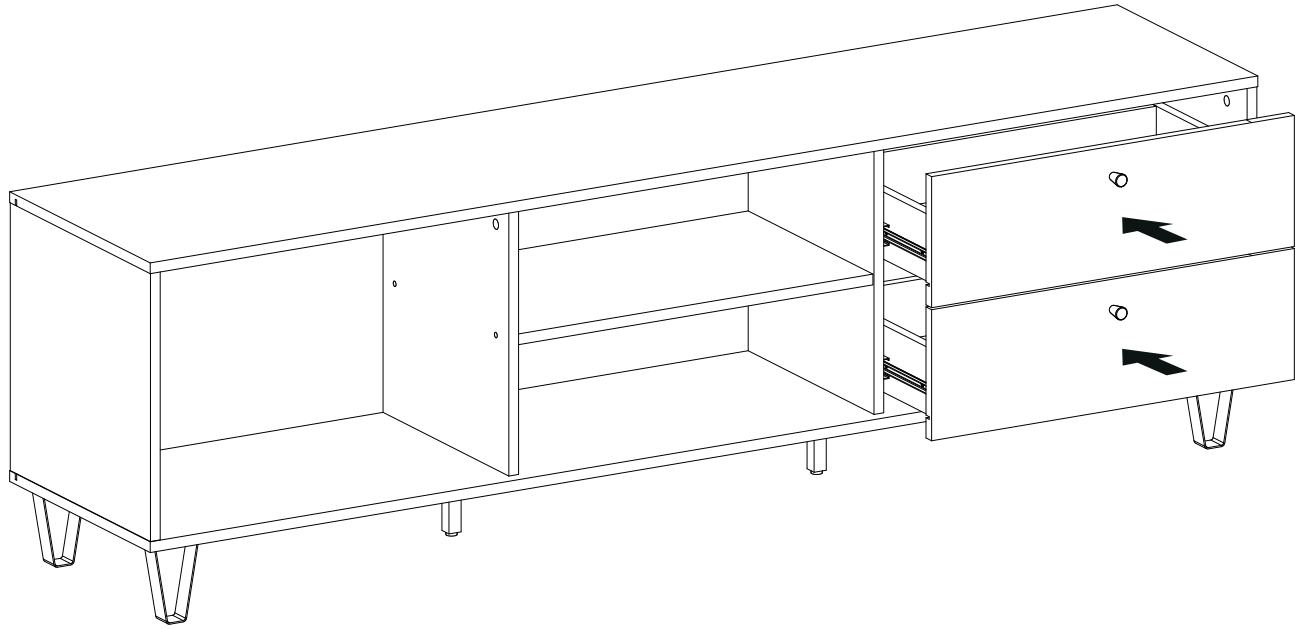
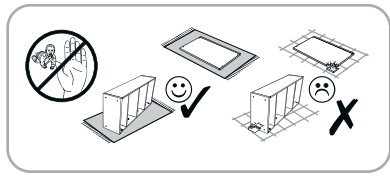


Y37
8x50  x2

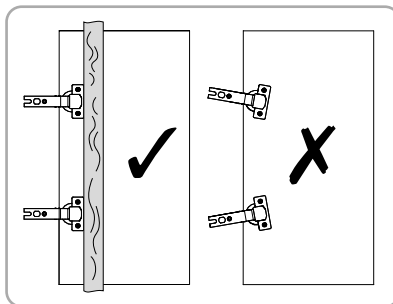
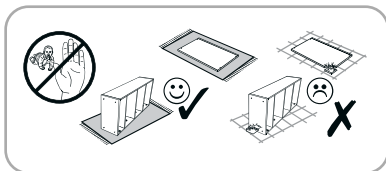
Y38
5x50  x2



13



14



- (K12)** x2
Ø35
- (D11)** x4
3,5x16
- (J60)** x1
Ø19
- (DB2)** x1
4x25

