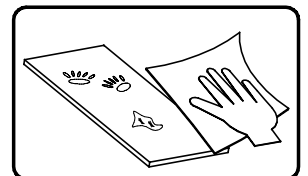
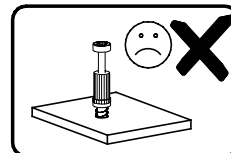
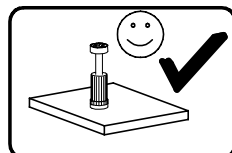
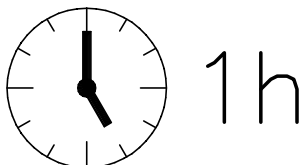
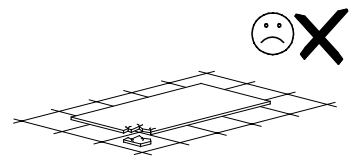
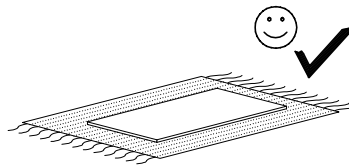
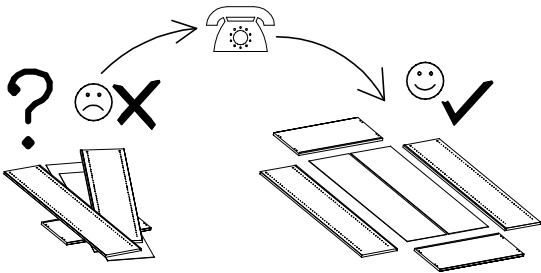
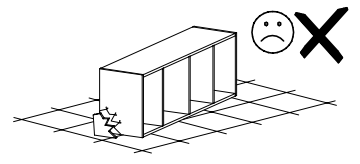
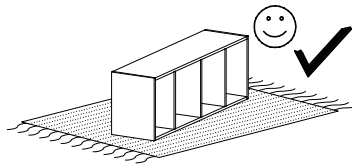
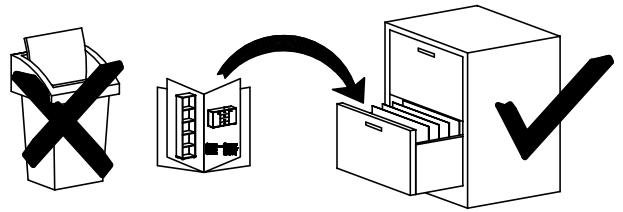
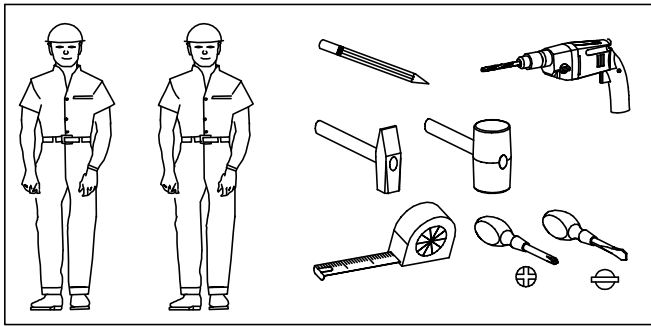
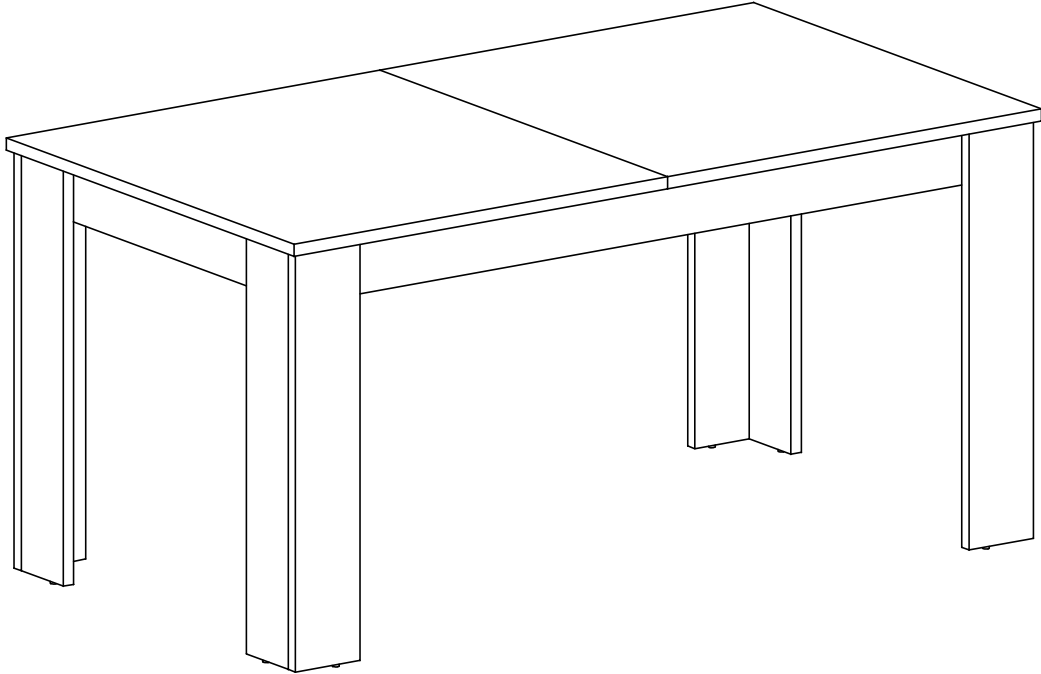
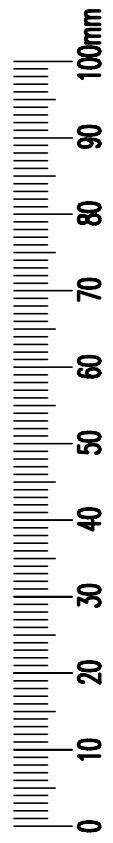
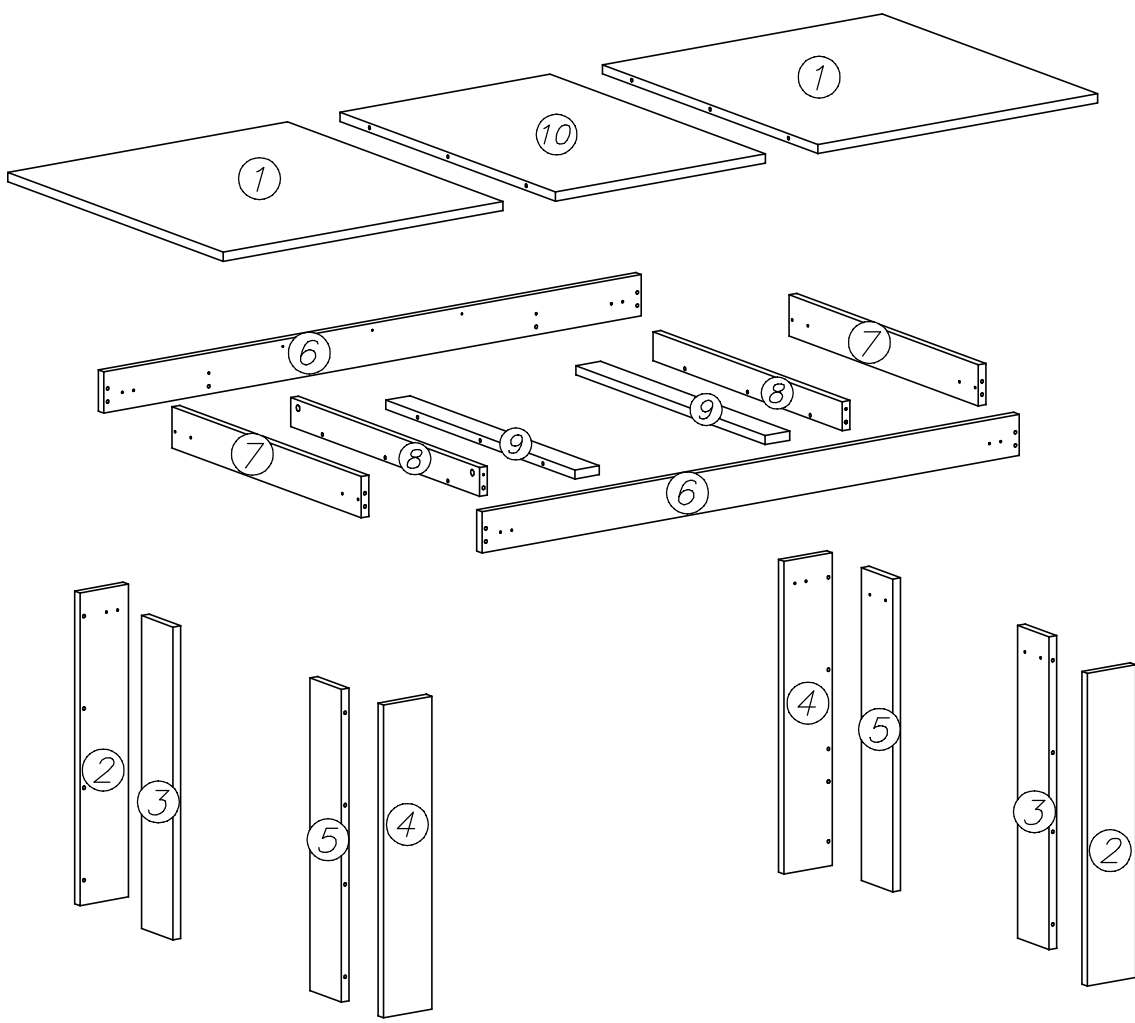
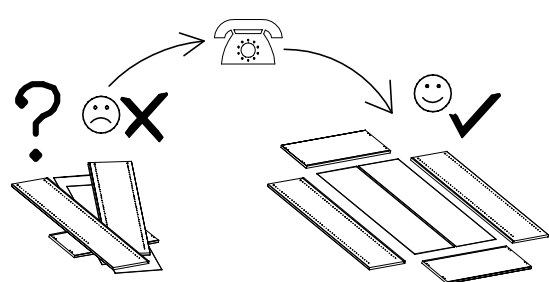
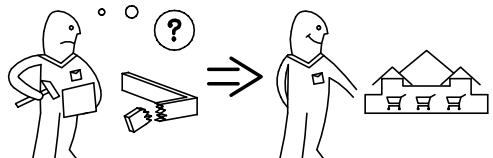
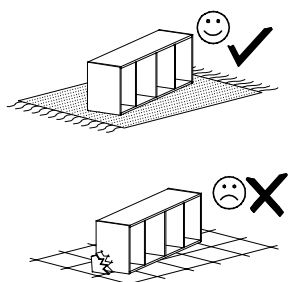


"ULRICH IV"



ULRICH IV



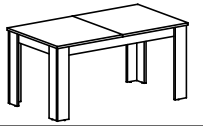
W8 50x20 x...(6)
P4 x...(16)
K5 x...(4)

B5 x...(6)	B6 x...(6)
M15 x...(2)	K1 ø15x12 x...(4)

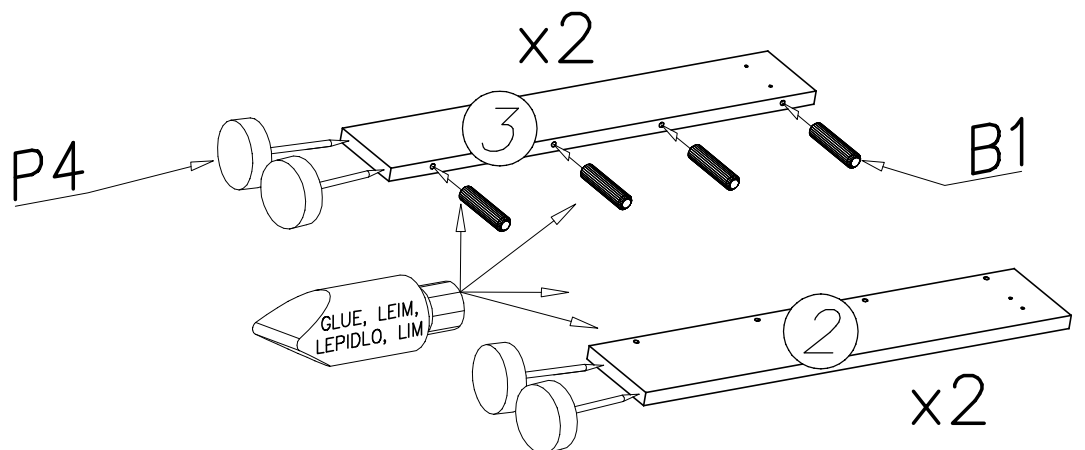
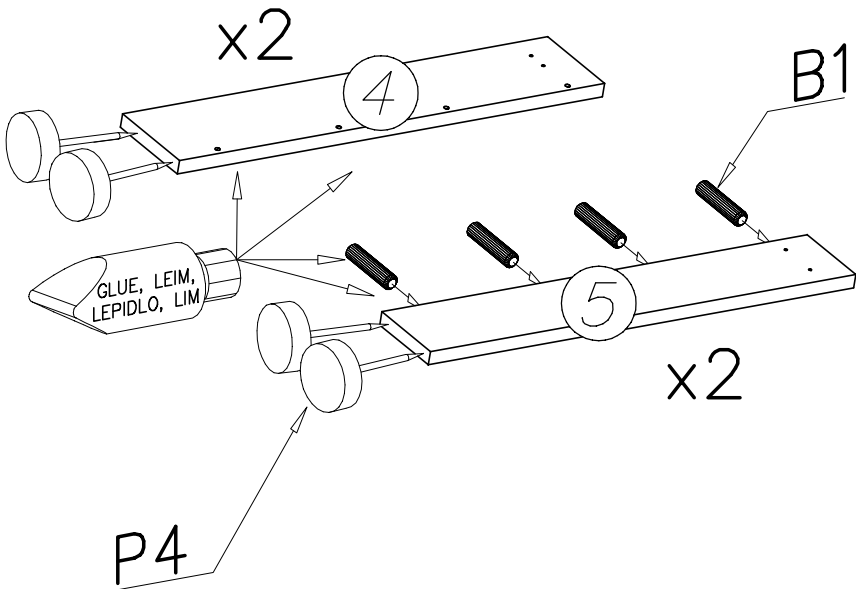
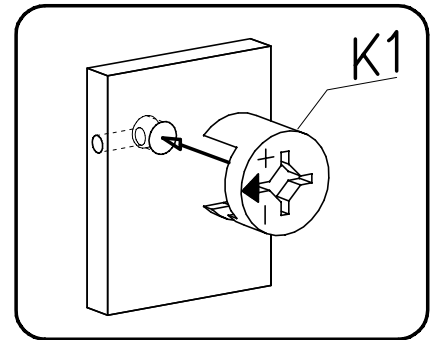
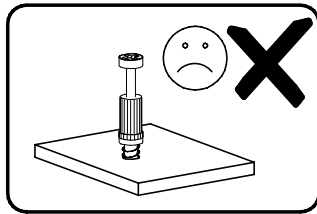
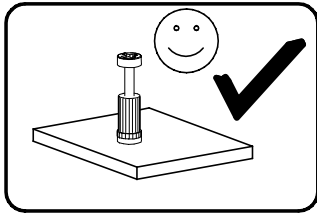
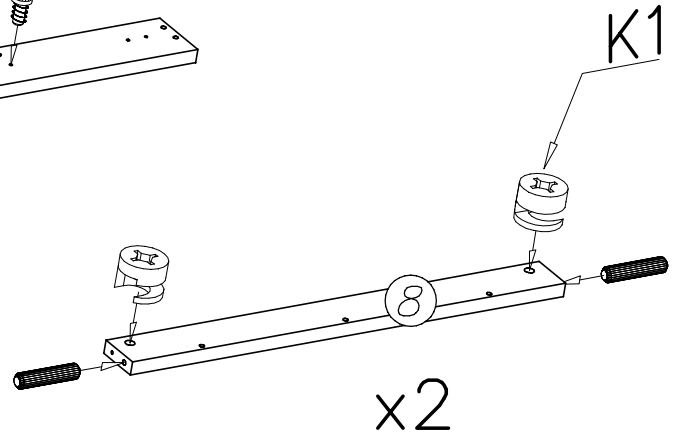
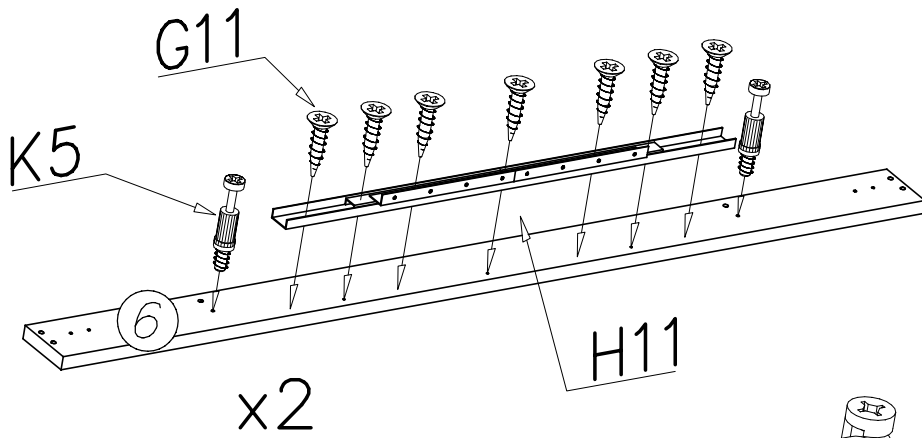
H22 800mm x...(1)	A5 ø7x60 x...(8)	A6 ø7x40 x...(22)
---------------------------------	--------------------------------	---------------------------------

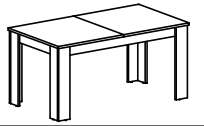
G11 4x20 x...(30)	G21 3x16 x...(4)
---------------------------------	--------------------------------

W1 x...(3)	B1 ø8x35 x...(20)	W2 4mm x...(1)
--------------------------	---------------------------------	------------------------------

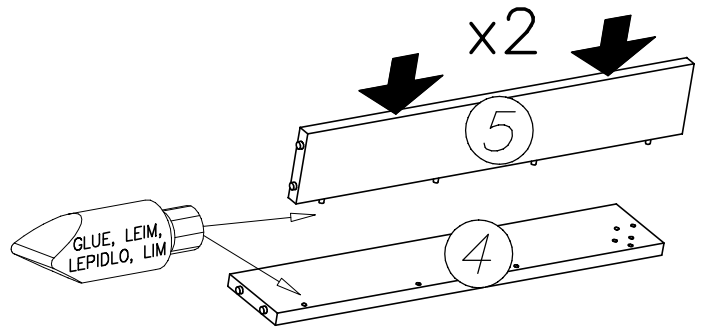
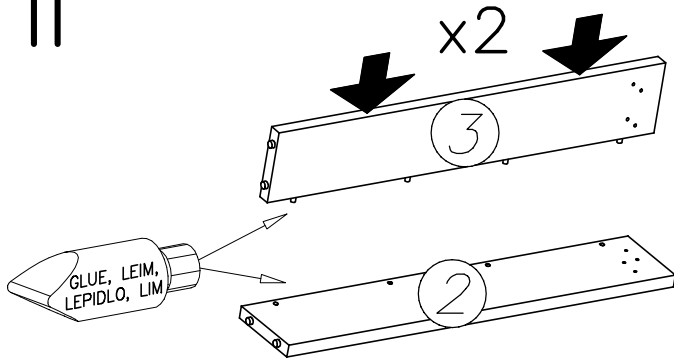


I

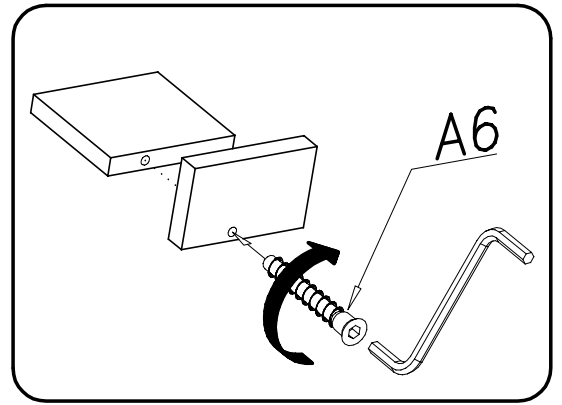
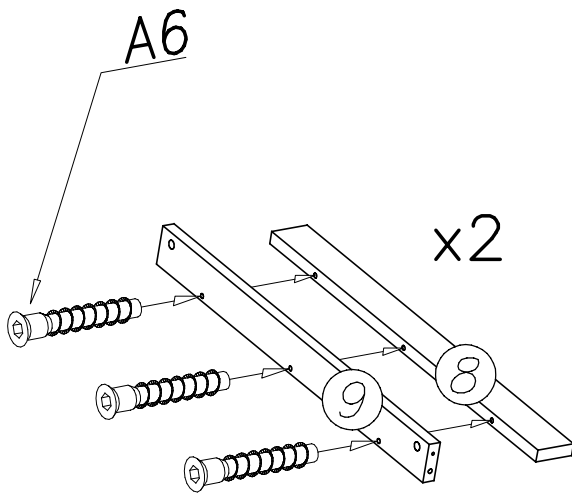




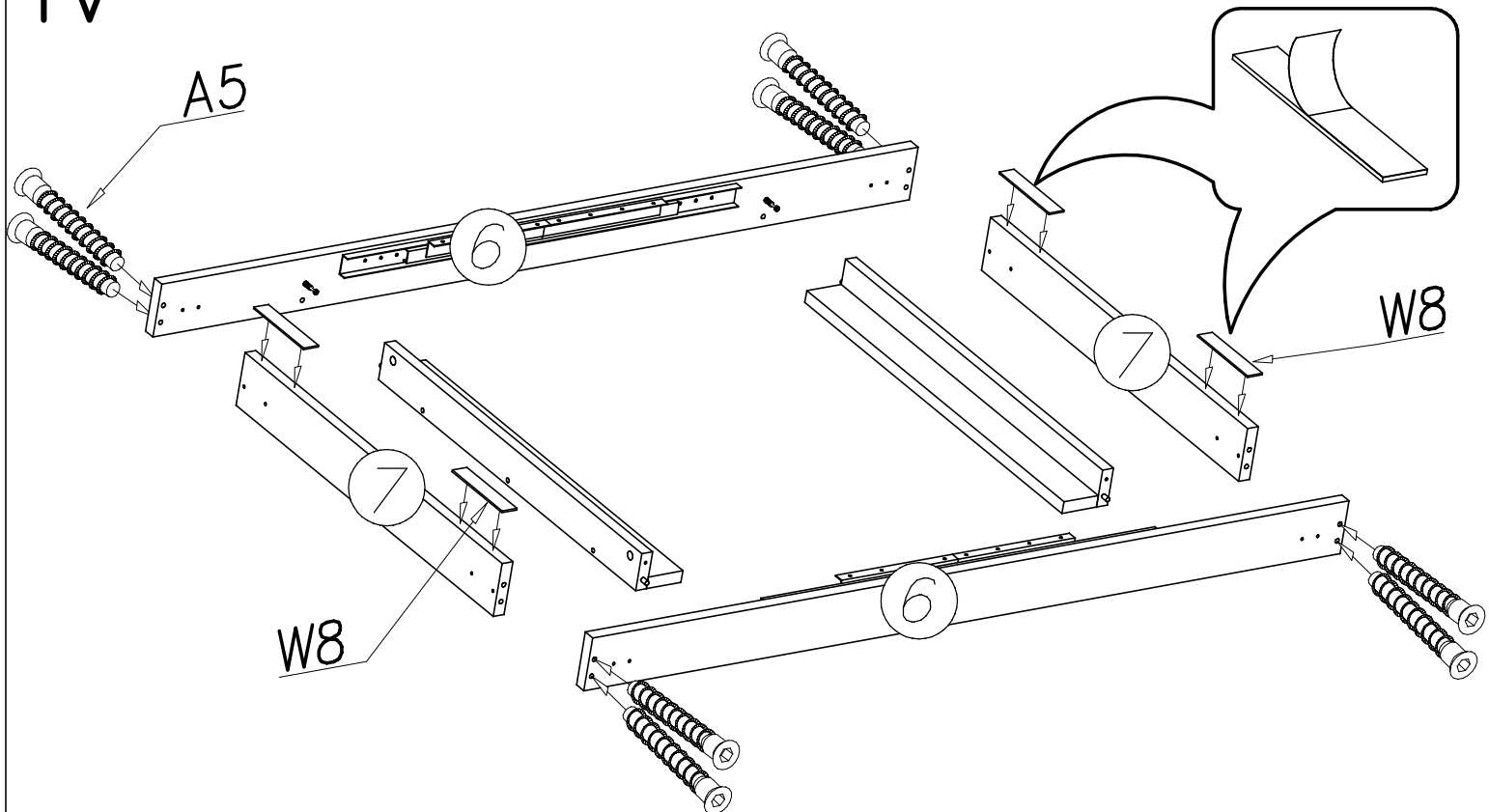
II

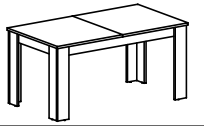


III

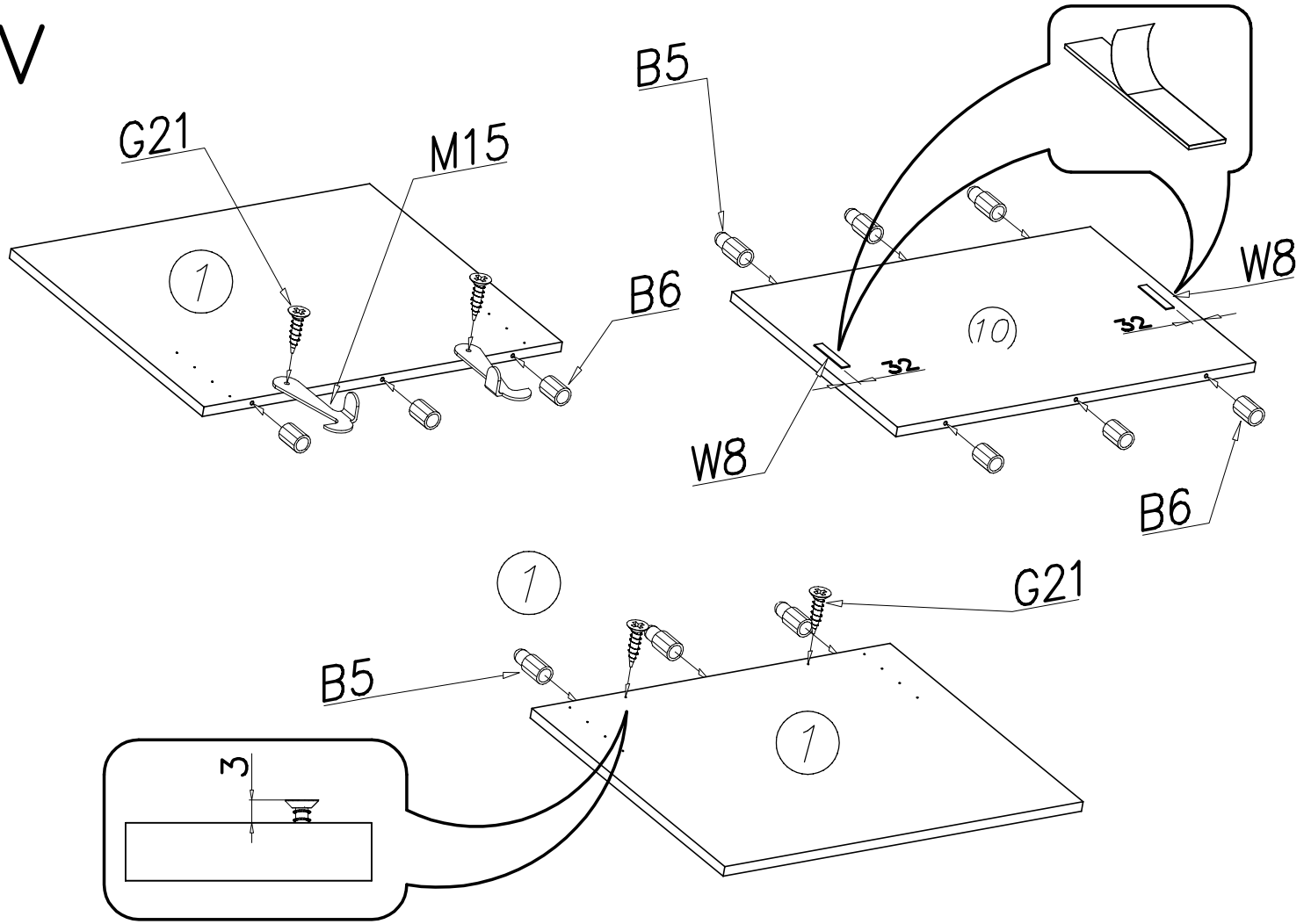


IV

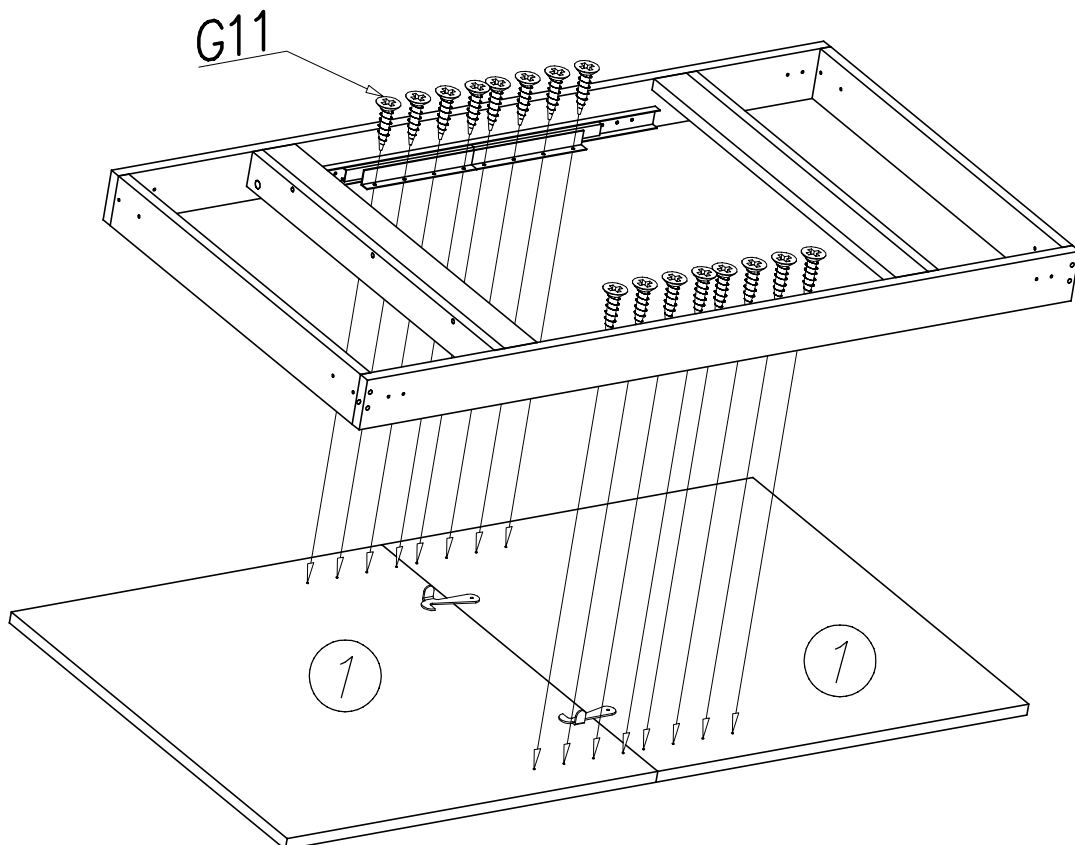


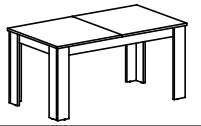


V



VI





VII

