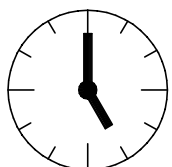
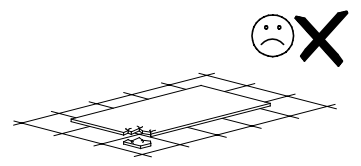
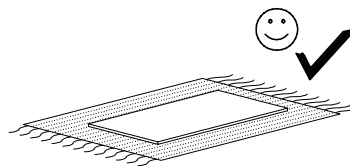
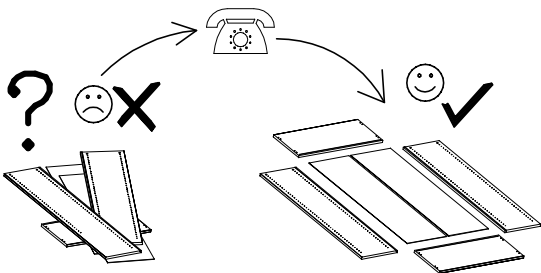
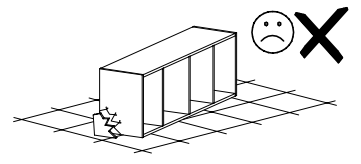
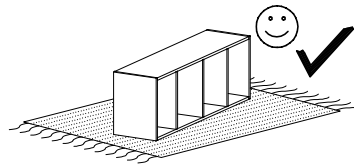
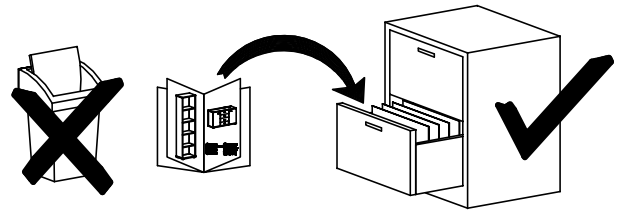
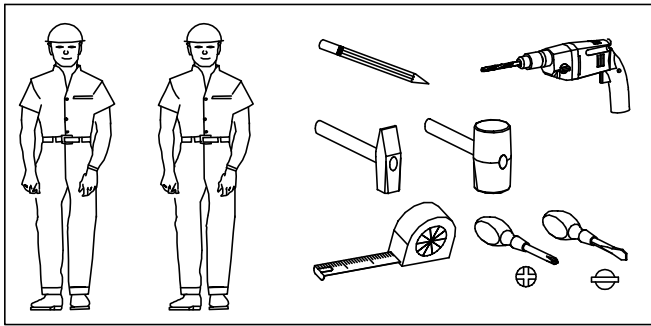
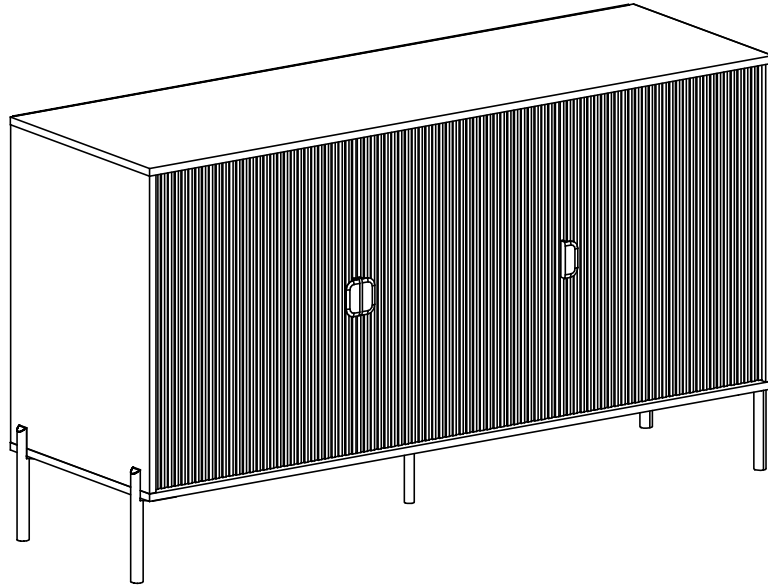
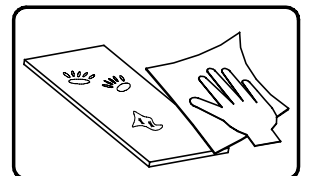
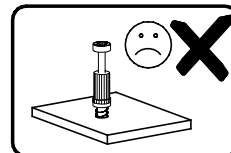
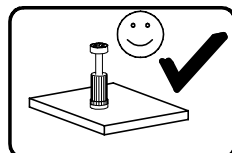
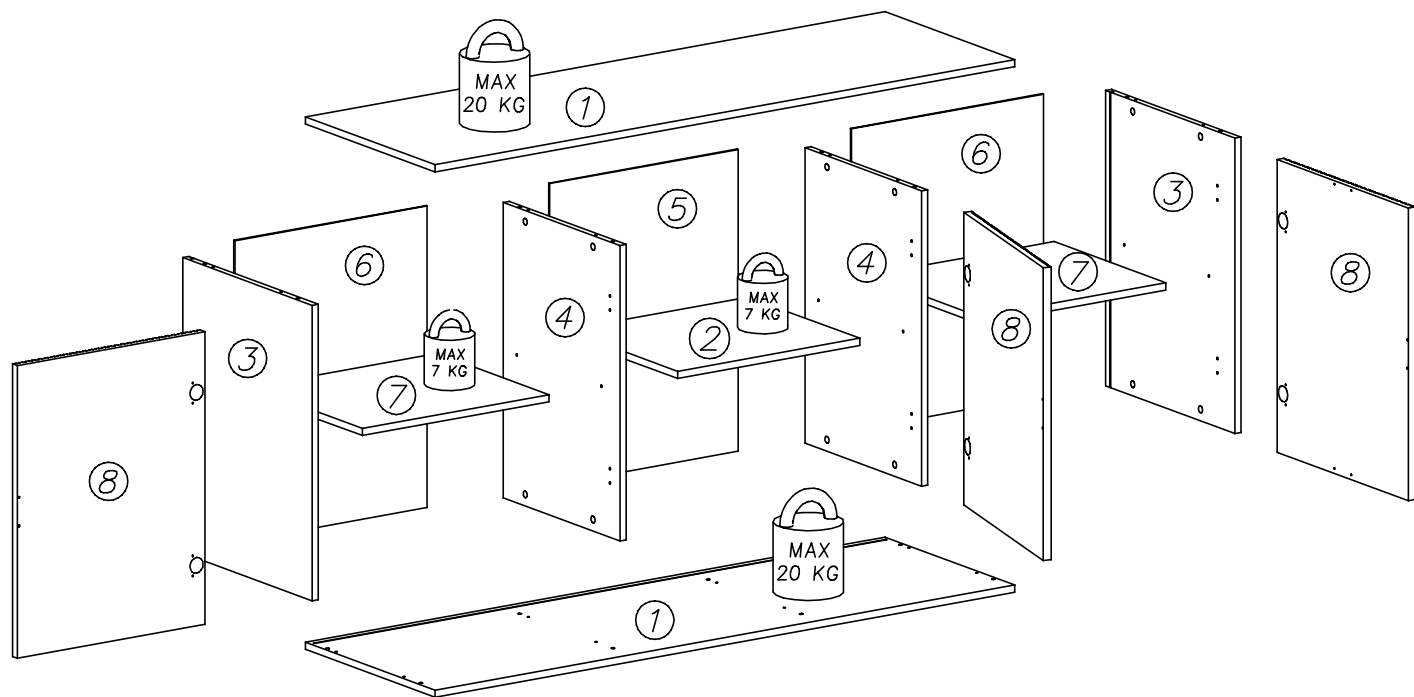
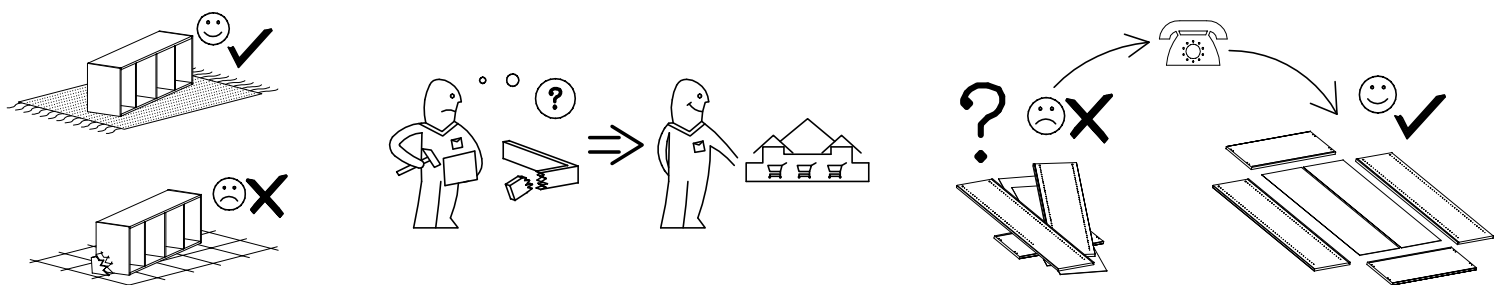


LOTUS – D3



1,5h



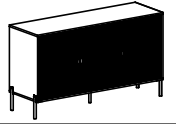


nr	L[mm]	B[mm]	T[mm]	Menge	Colli
1	1535	490	16	2	2/2
2	483	430	16	1	2/2
3	662	489	16	2	1/2
4	662	441	16	2	2/2

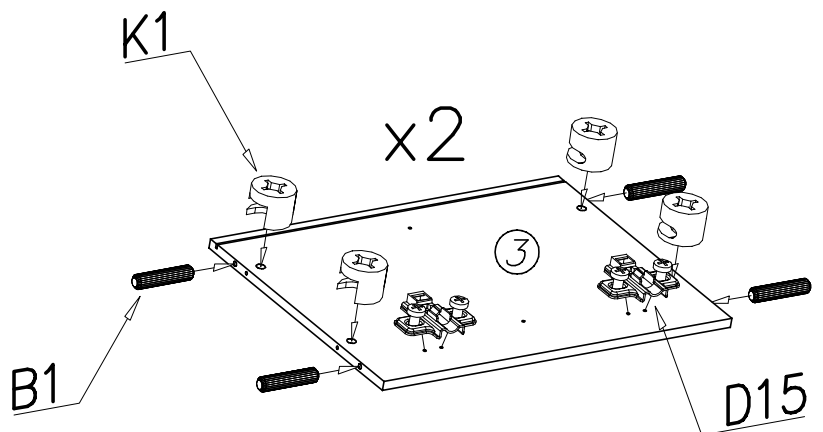
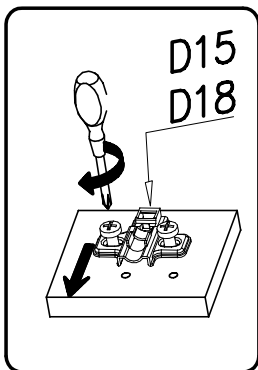
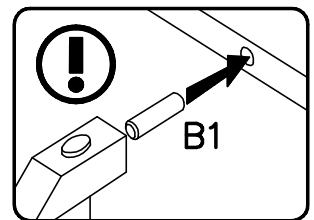
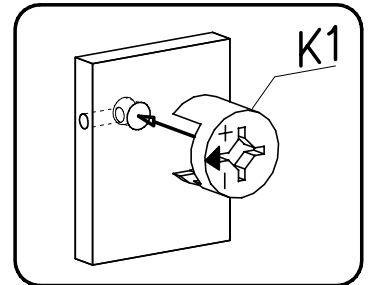
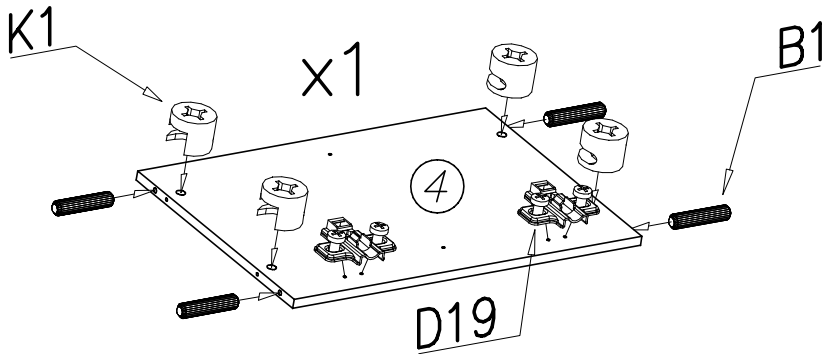
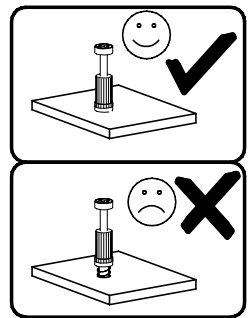
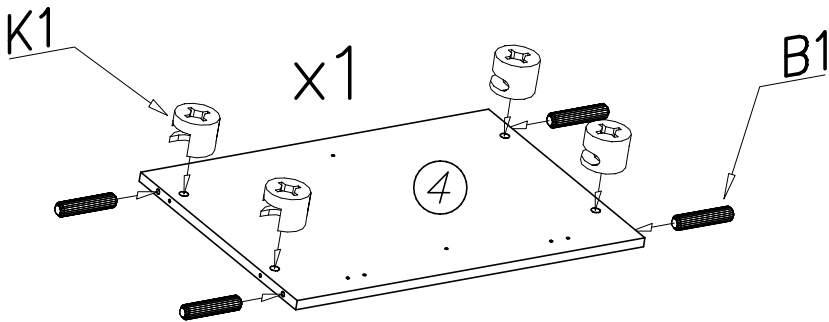
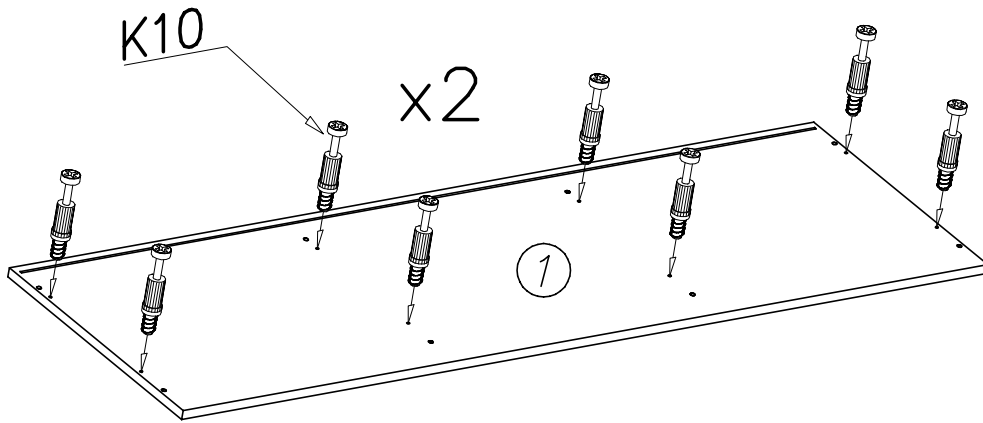
nr	L[mm]	B[mm]	T[mm]	Menge	Colli
5	674	499	3	1	1/2
6	674	506	3	2	1/2
7	492	430	16	2	2/2
8	656	496	18	3	1/2
Beschlage					1/2

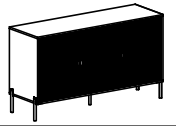


N41 M4x22 x...(6)	C19 Z35CP x...(2)	D19 PZ35CP x...(2)	F2 x...(12)	E108 64mm x...(3)
M11 x...(2)	I1 x...(10)	C15 Z35CL x...(4)	D15 PZ35CL x...(4)	G4 4x16 x...(20)
K1 ø15x12 x...(16)	I7 ø18 x...(16)	G34 3,5x16 x...(28)	P46 x...(1)	P47 x...(4)
K10 x...(16)	B1 ø8x35 x...(16)	S2 x...(12)		

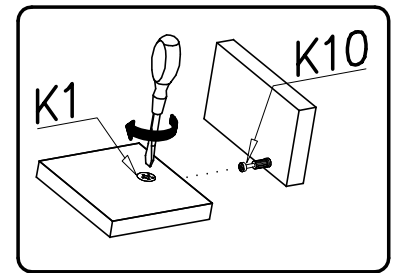
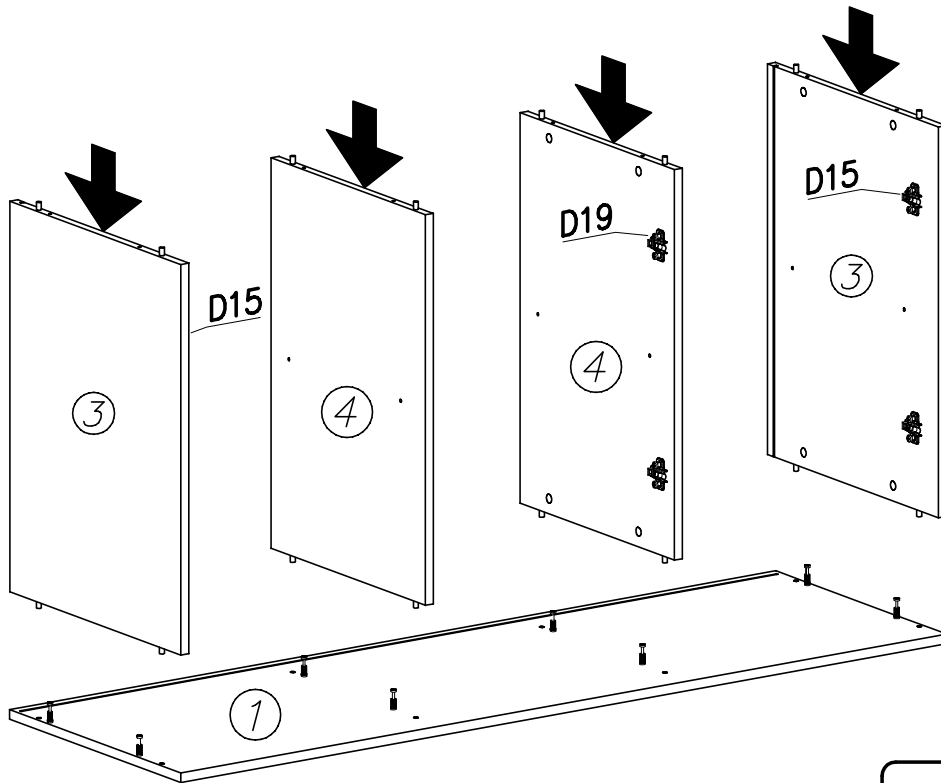


I

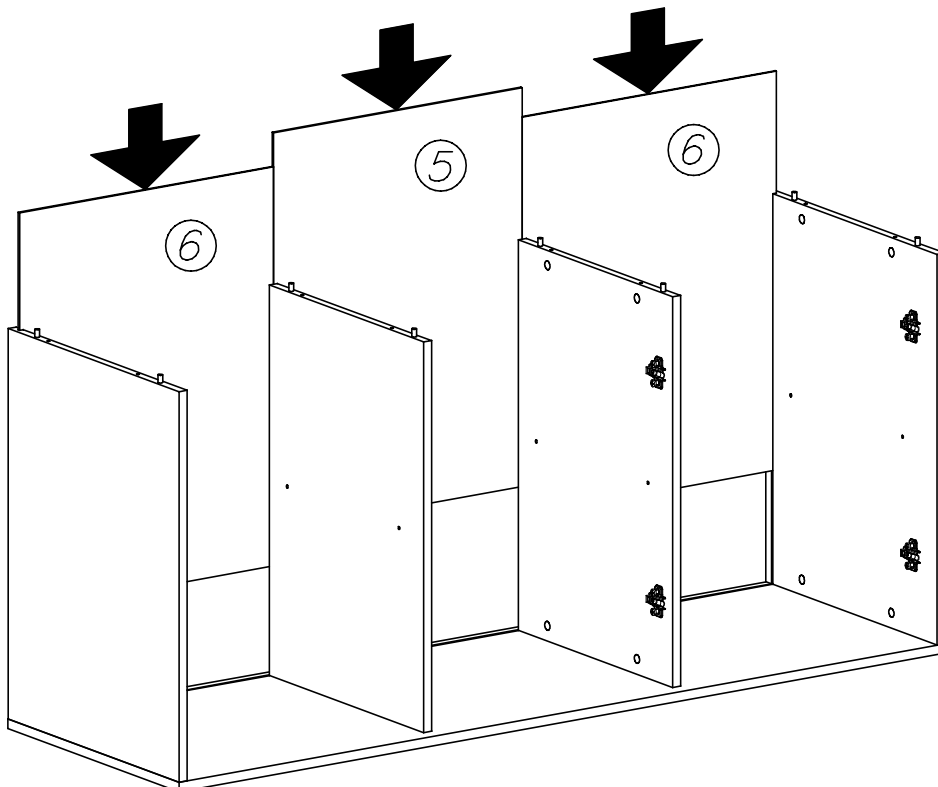


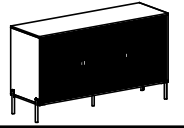


II

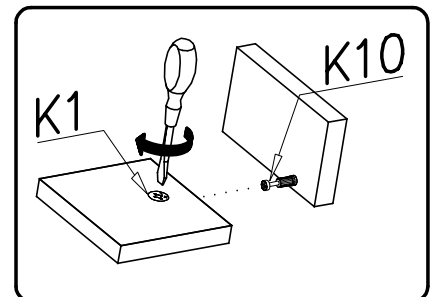
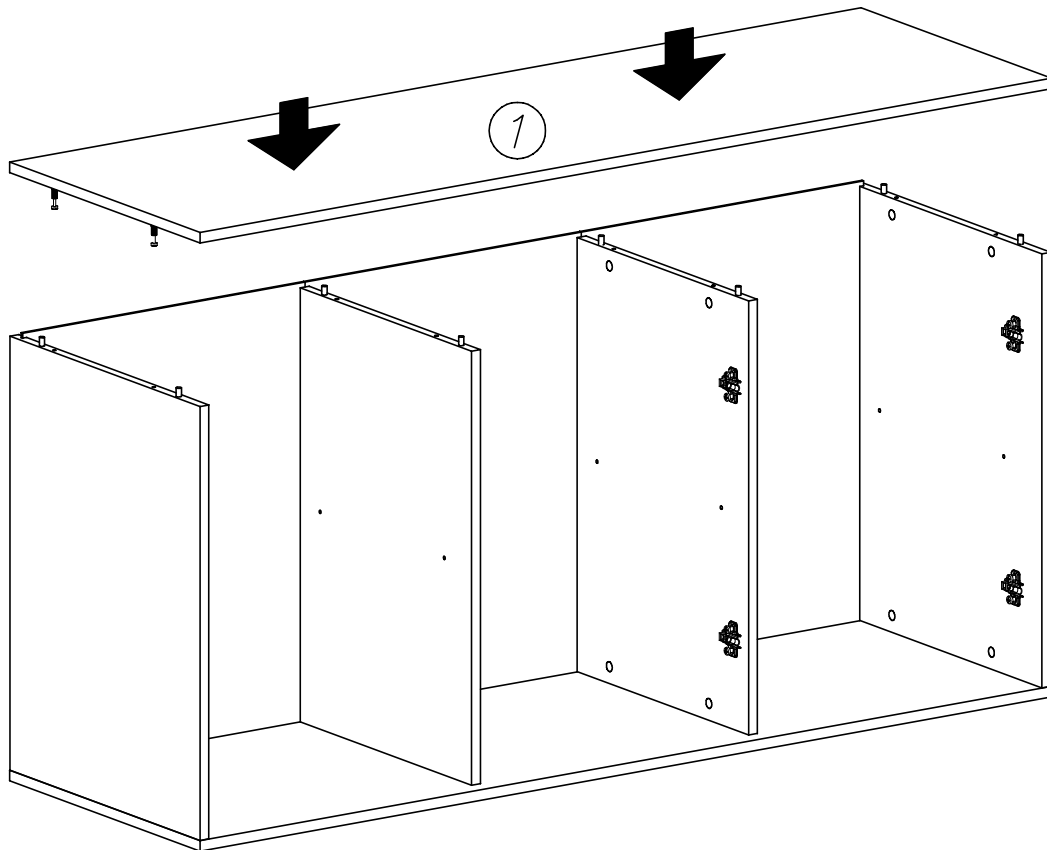


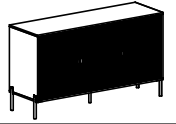
III



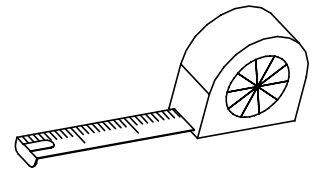
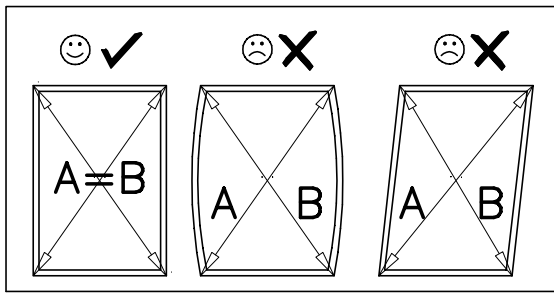


IV

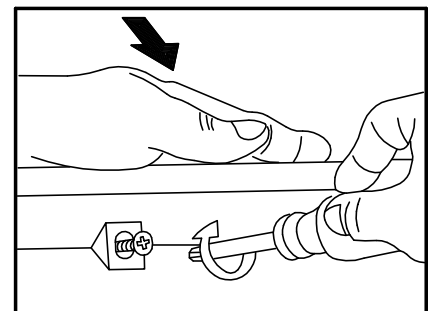
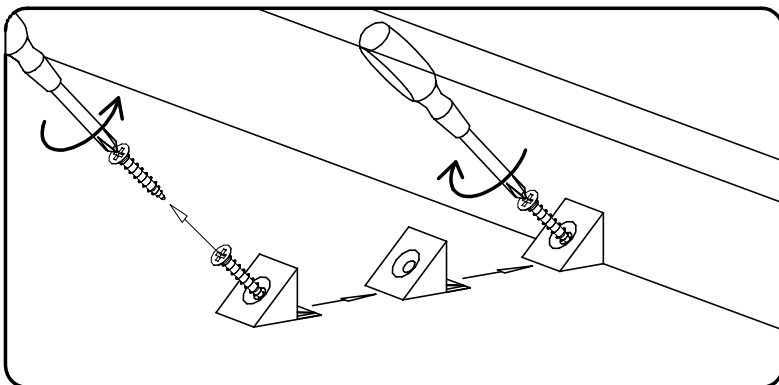
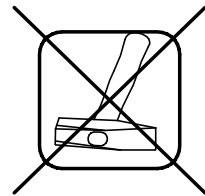
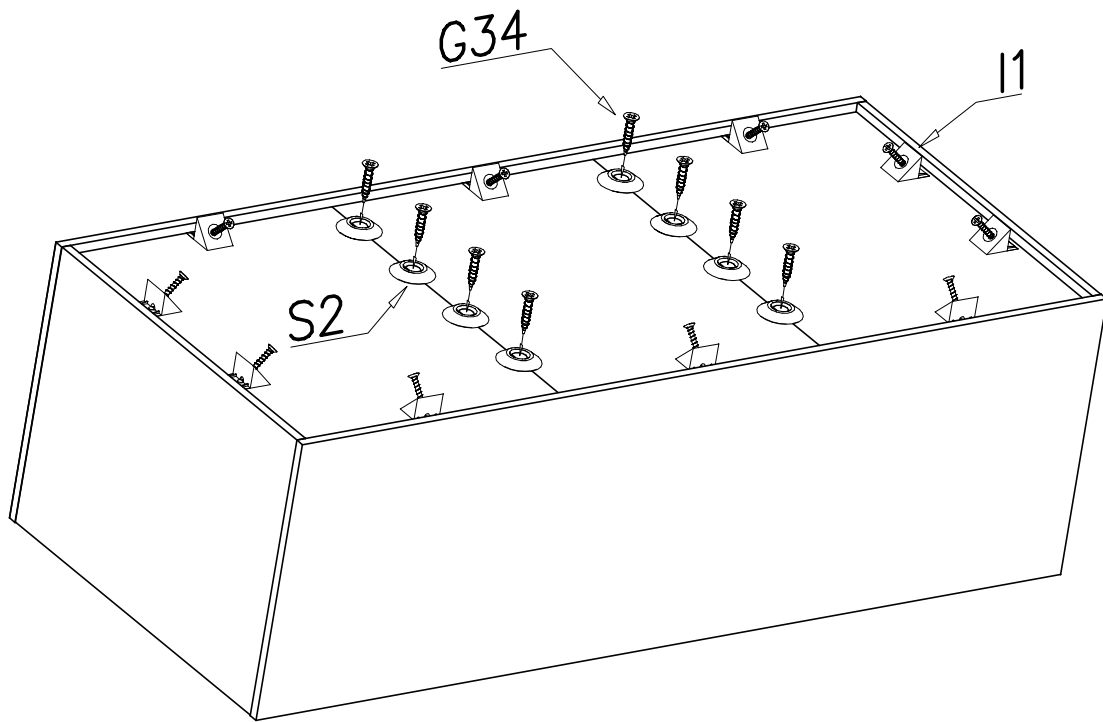


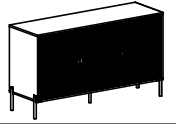


V

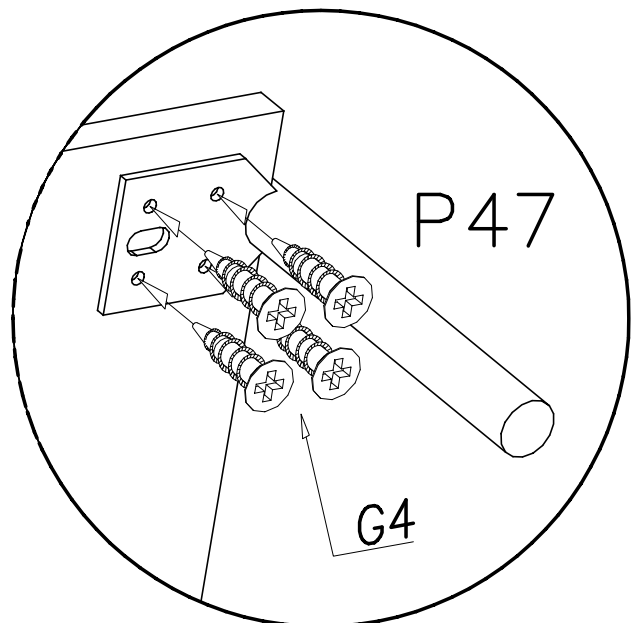
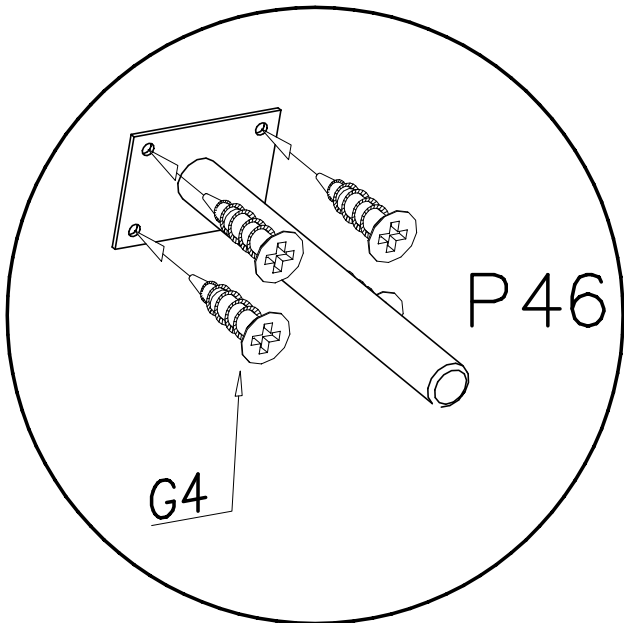
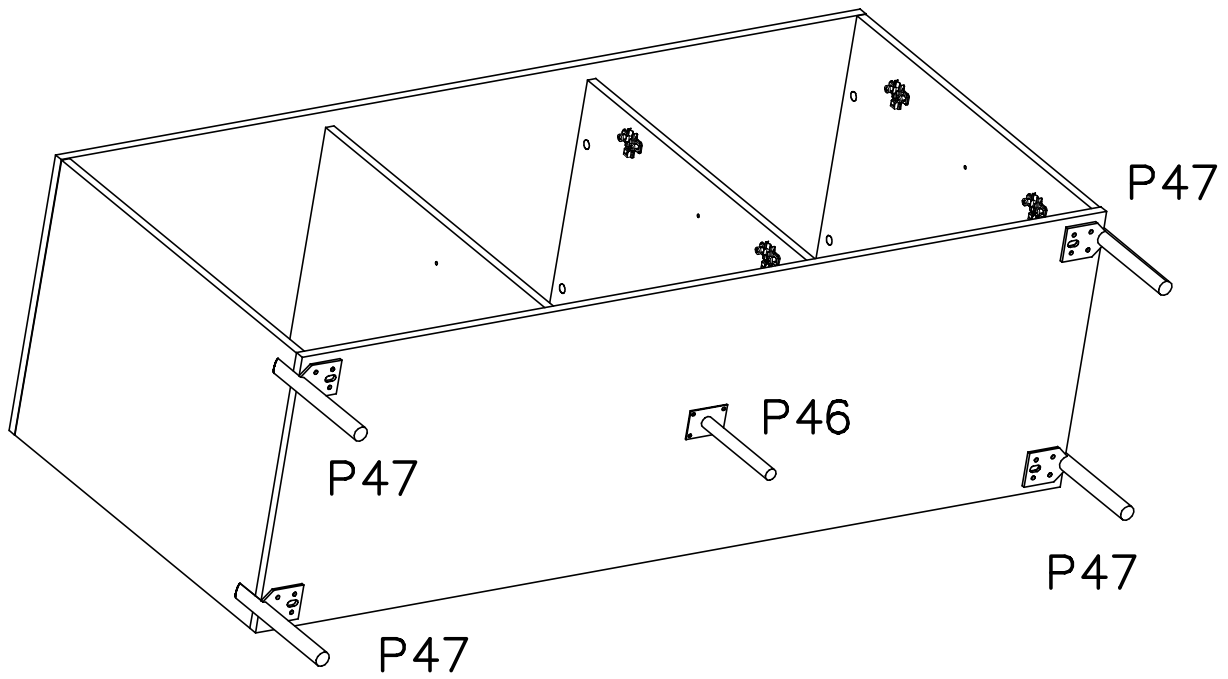
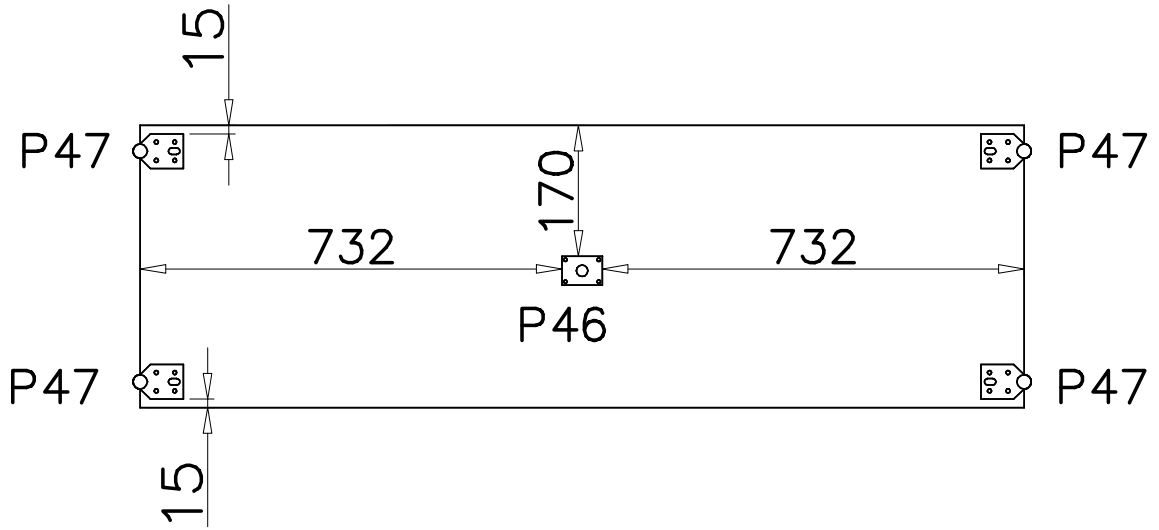


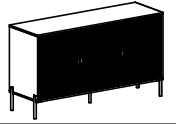
A=B



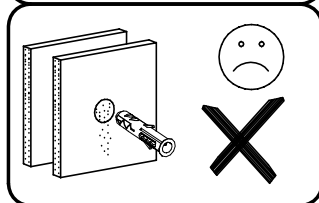
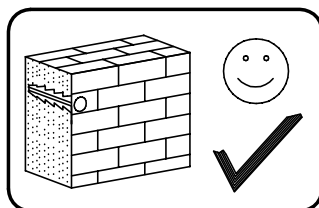
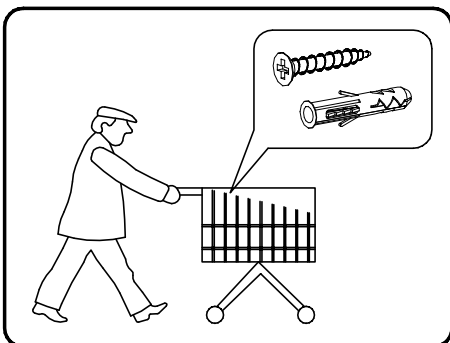
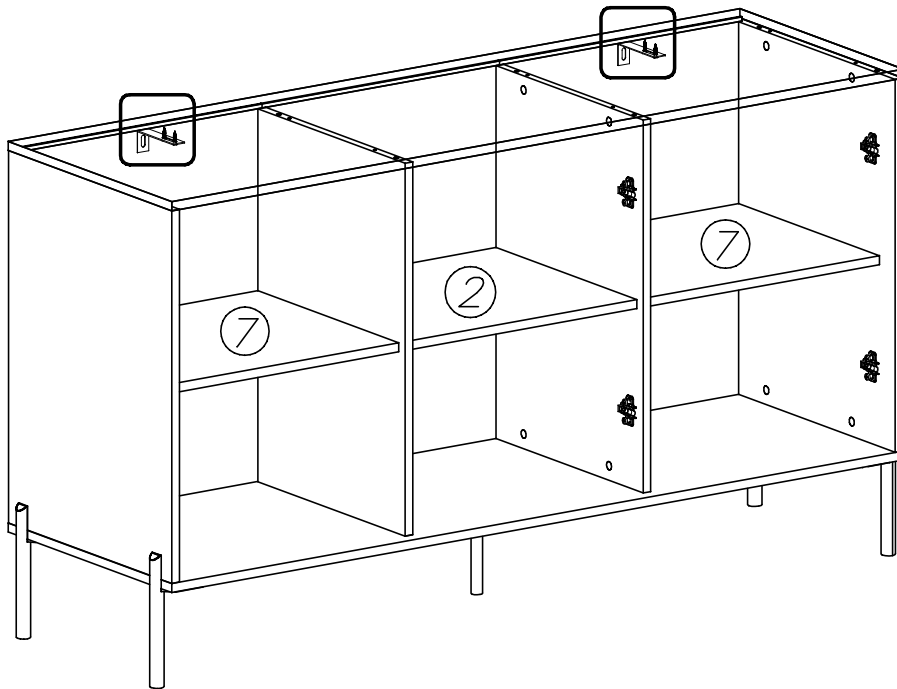
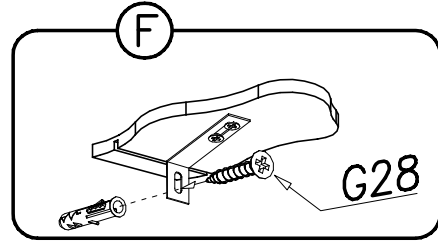
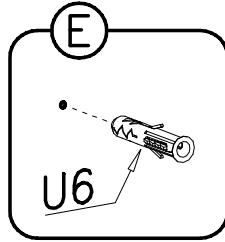
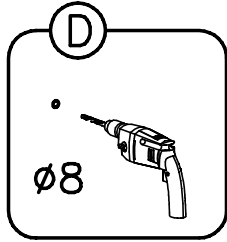
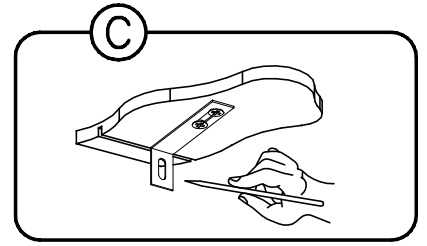
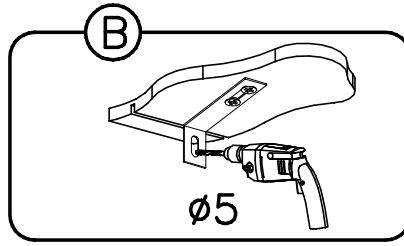
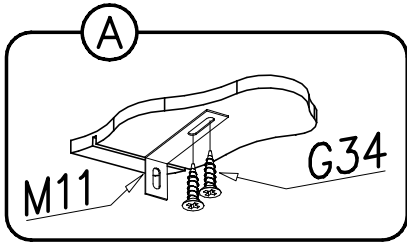


VI

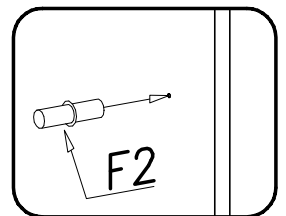




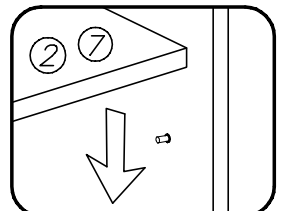
VII

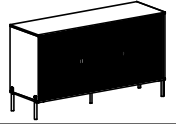


1

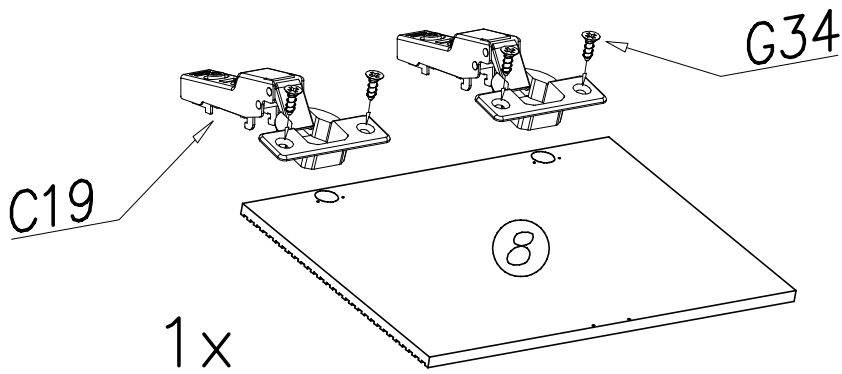
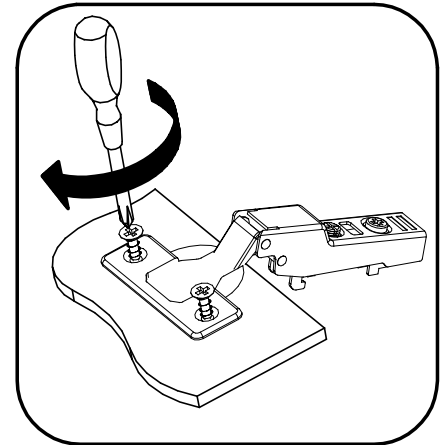
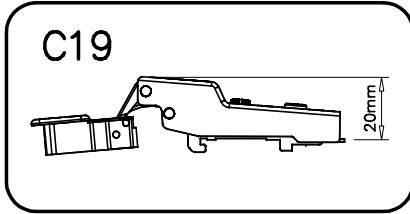


2

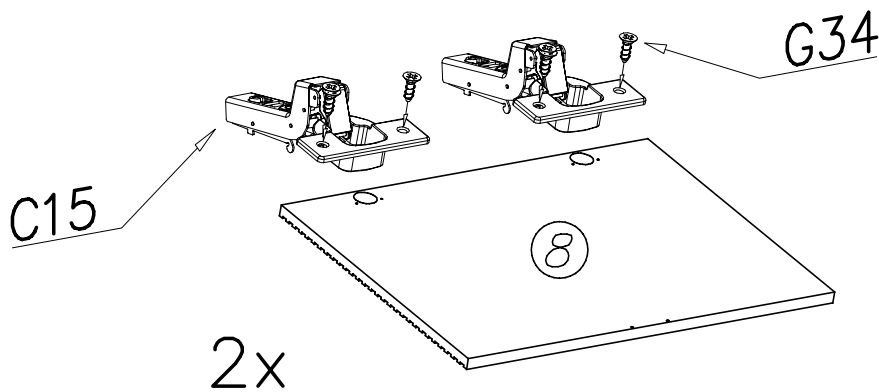
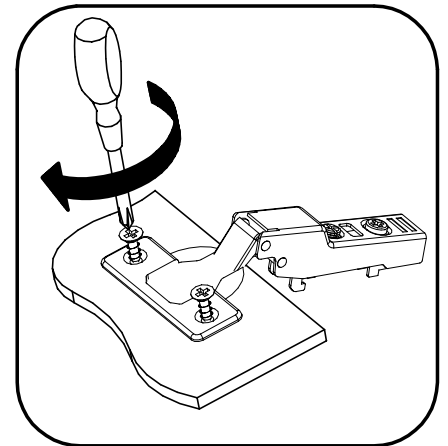
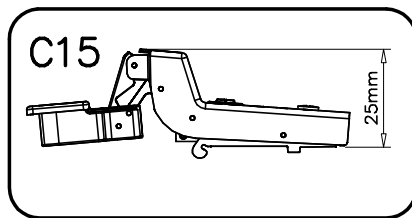


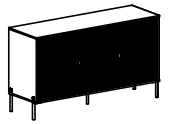


VIII

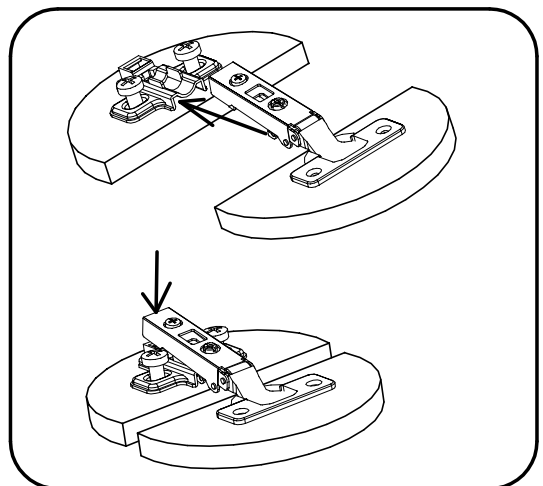
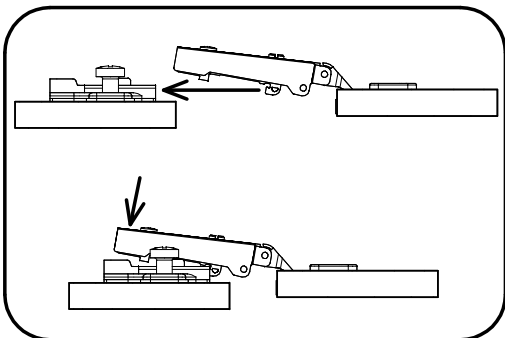
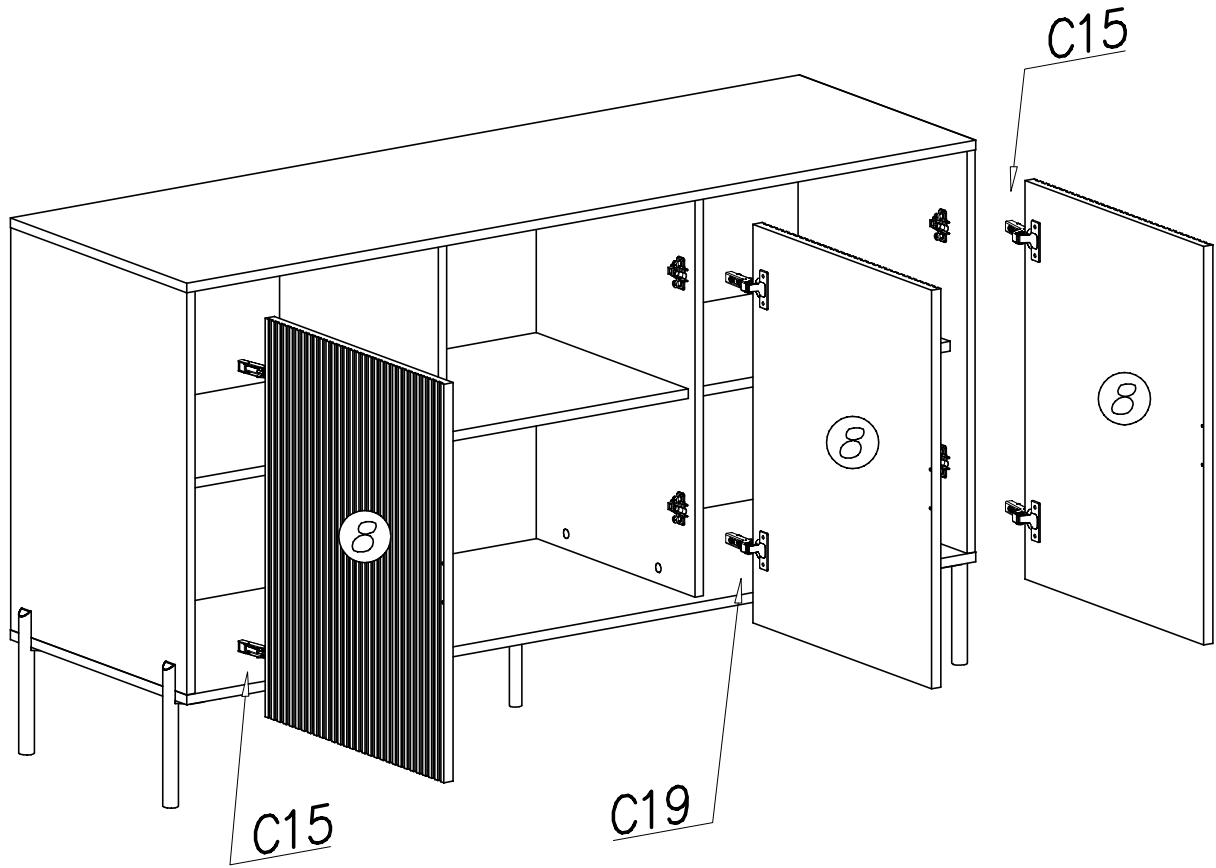


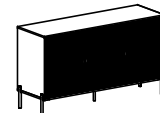
IX





X





XI

