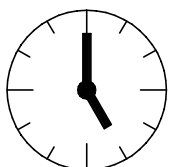
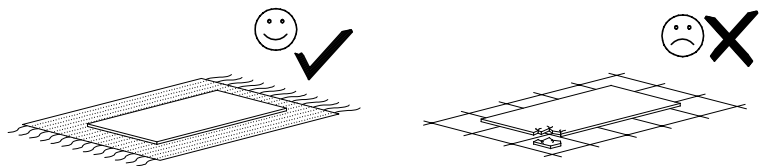
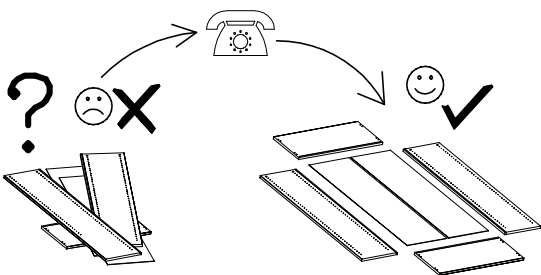
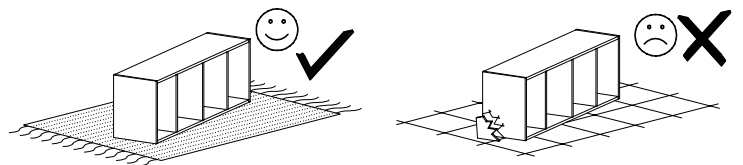
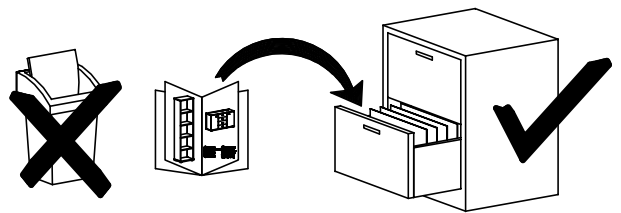
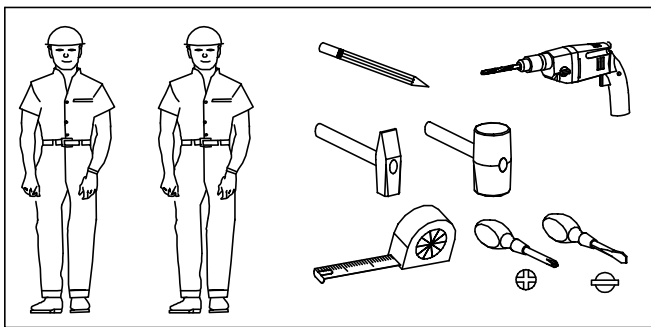
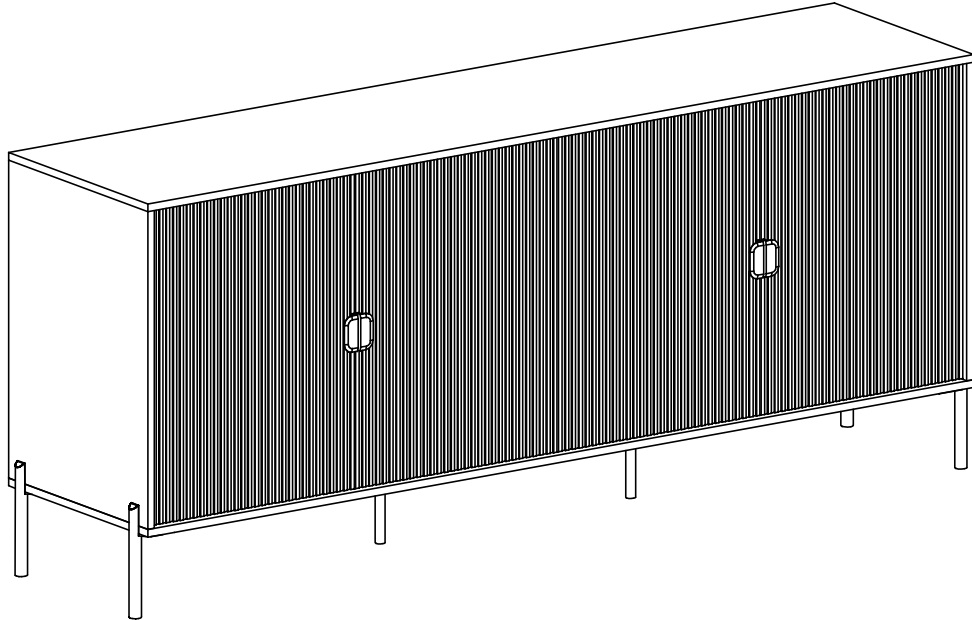
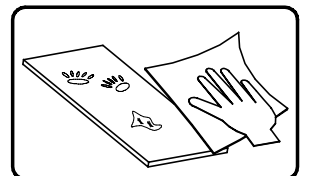
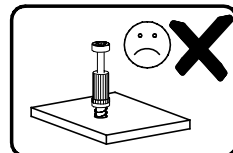
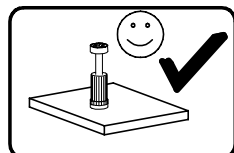
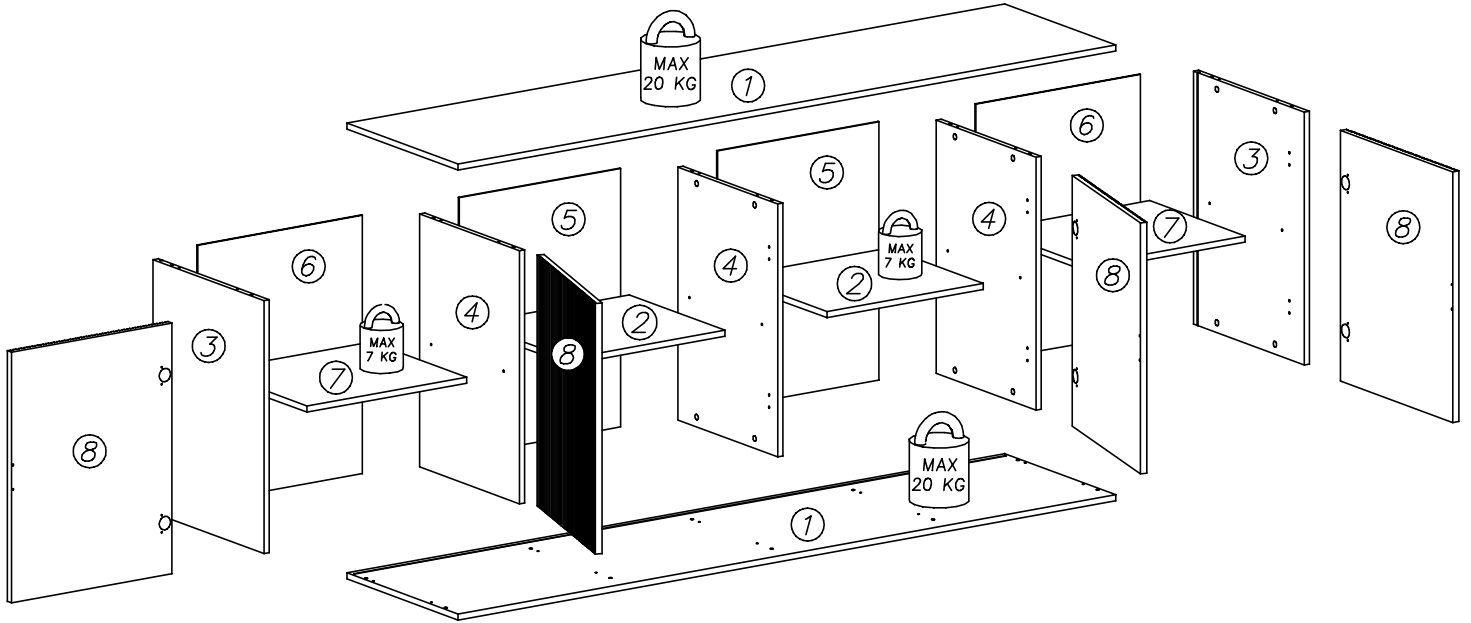
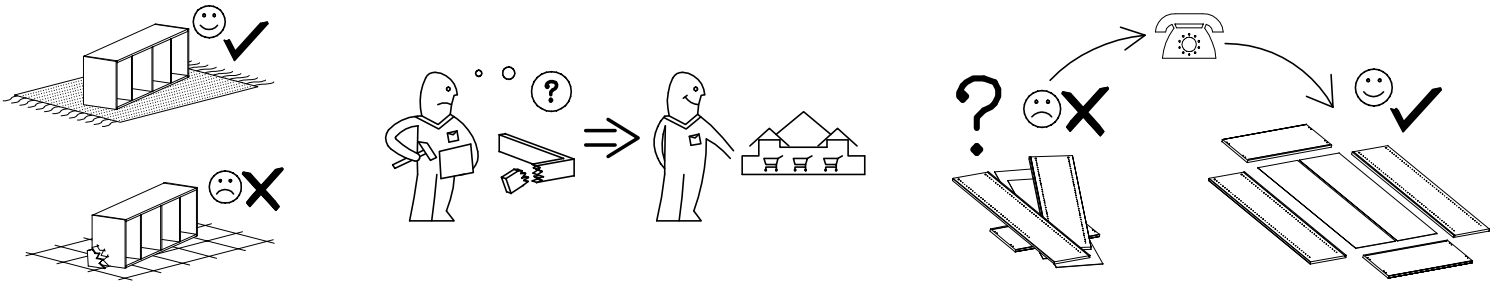


LOTUS – D4



1,5h

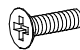


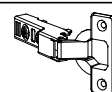



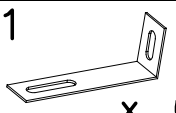
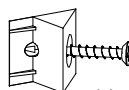
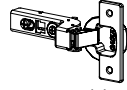
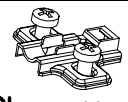




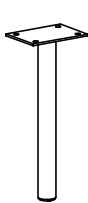
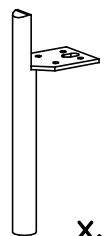
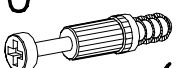




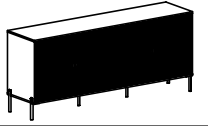


nr	L[mm]	B[mm]	T[mm]	Menge	Colli
1	2034	490	16	2	3/3
2	483	430	16	2	3/3
3	662	489	16	2	2/3
4	662	441	16	3	2/3

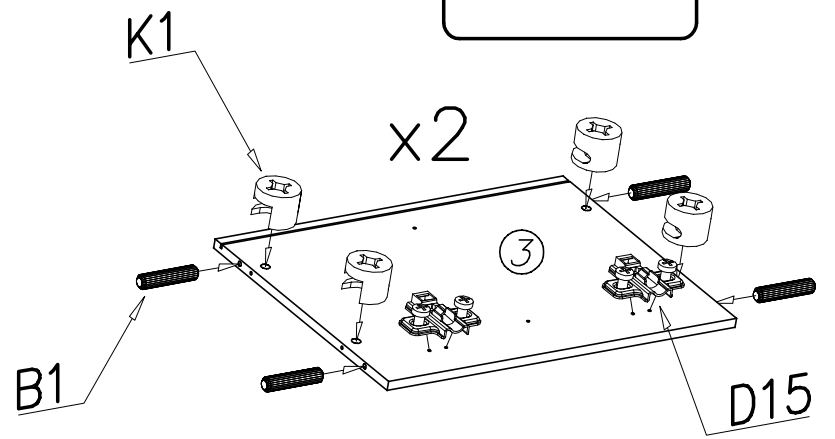
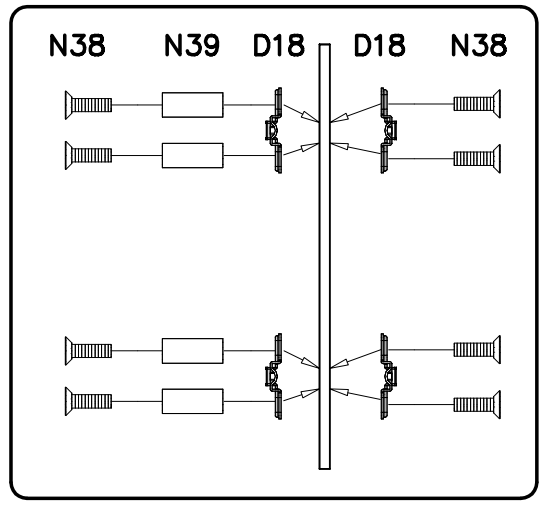
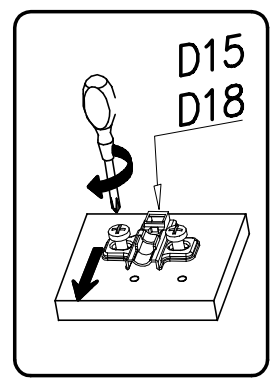
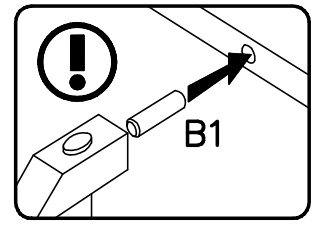
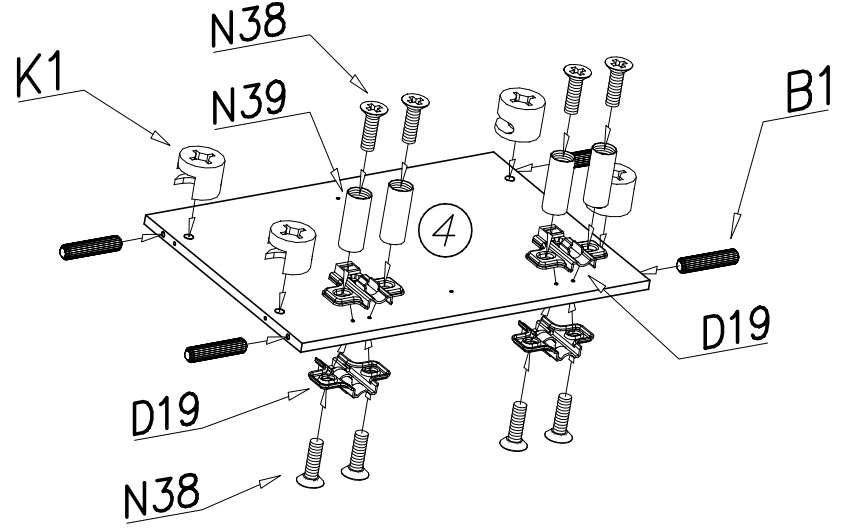
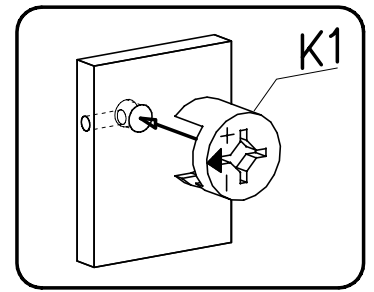
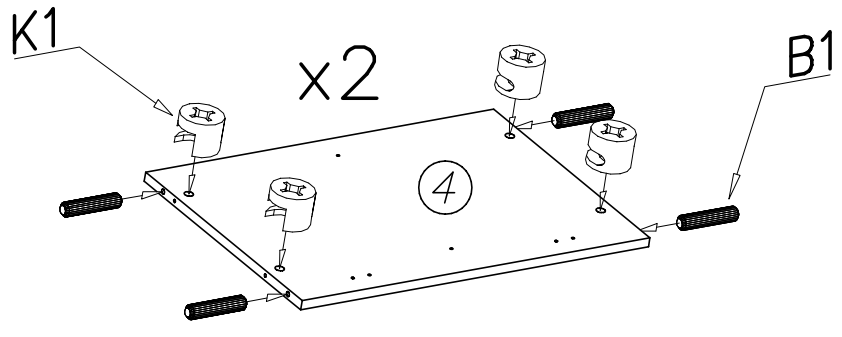
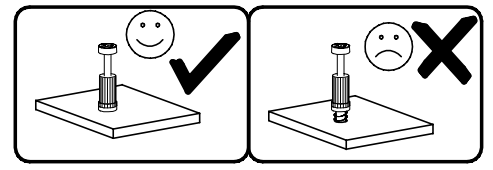
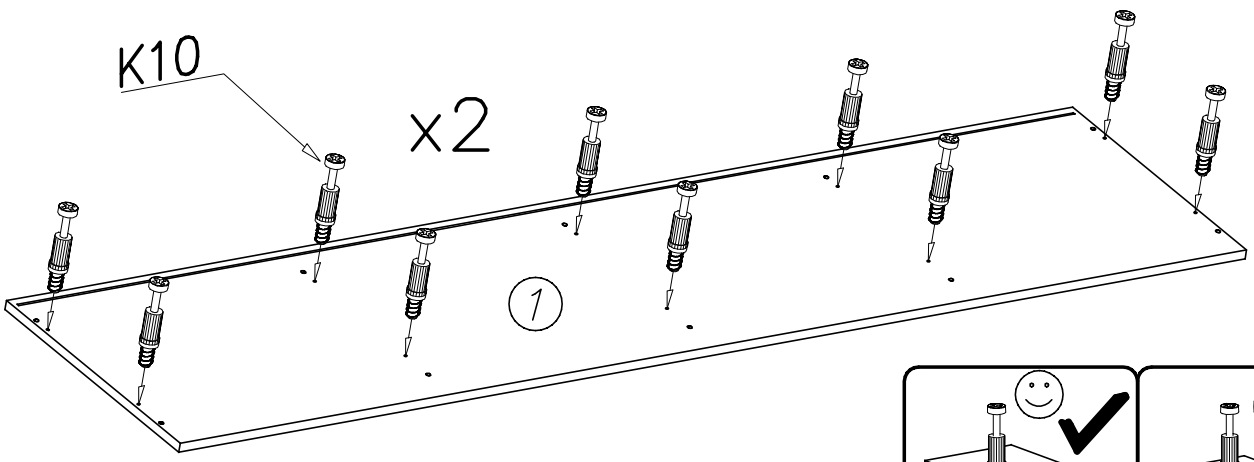
nr	L[mm]	B[mm]	T[mm]	Menge	Colli
5	674	499	3	2	1/3
6	674	506	3	2	1/3
7	492	430	16	2	3/3
8	656	496	18	4	1/3
Beschlage					1/3

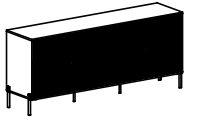


		N38  M4x10 x...(8)		N39  ø5x15 x...(4)	
N41  M4x22 x...(8)	C19  Z35CP x...(4)	D19  PZ35CP x...(4)	F2  x...(16)	E108  64mm x...(4)	
M11  x...(2)	I1  x...(12)	C15  Z35CL x...(4)	D15  PZ35CL x...(4)	G4  4x16 x...(24)	
K1  ø15x12 x...(20)	I7  ø18 x...(20)	G34  3,5x16 x...(38)	P46  x...(2)	P47  x...(4)	
K10  x...(20)	B1  ø8x35 x...(20)	S2  x...(18)			

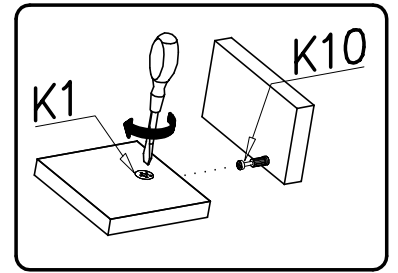
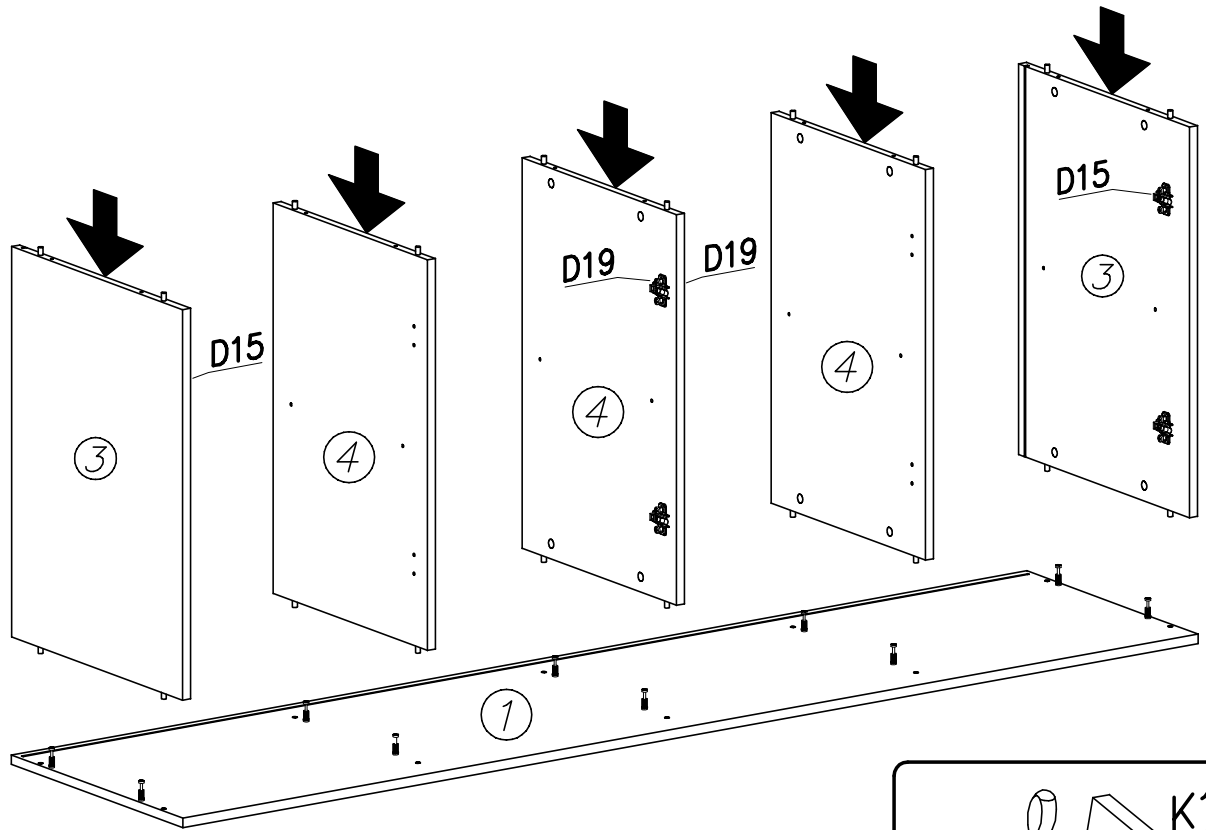


I

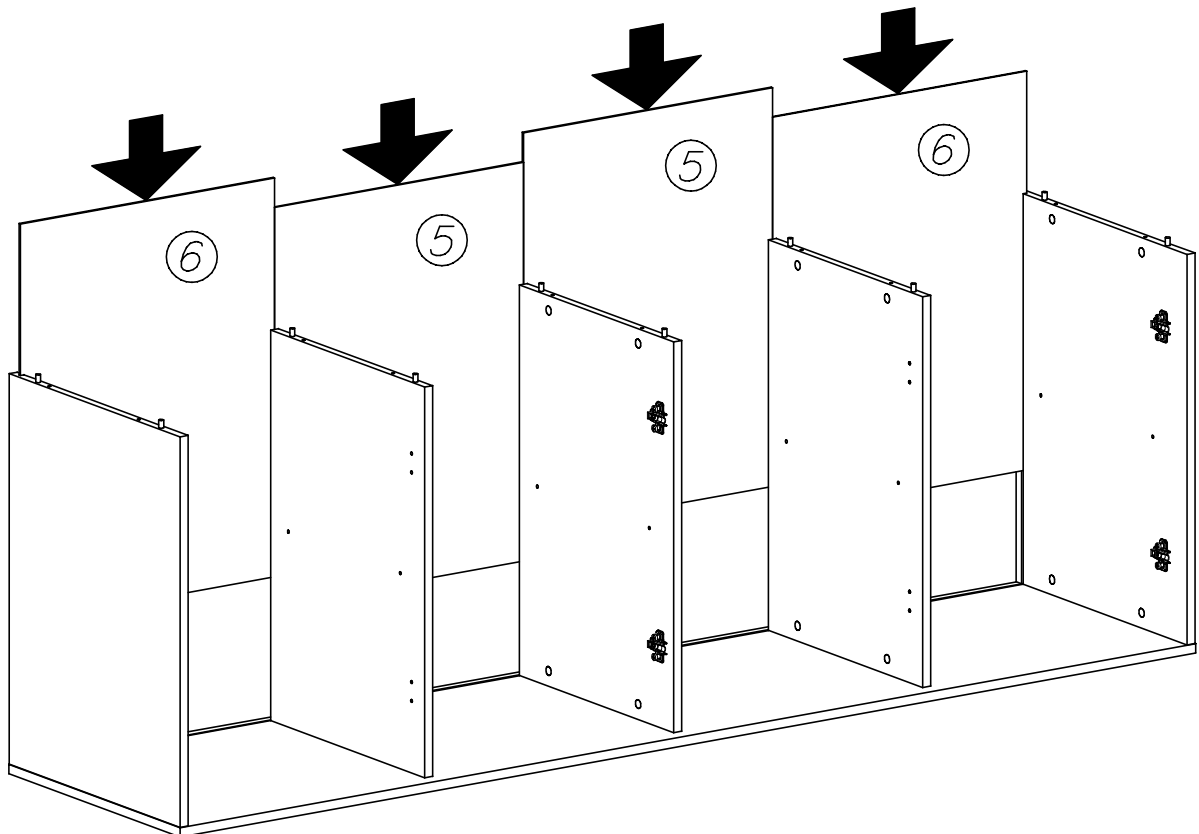


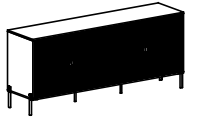


II

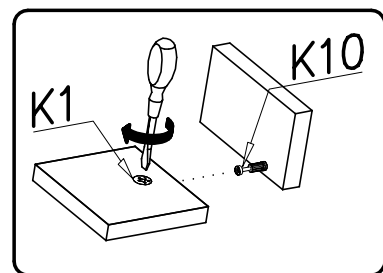
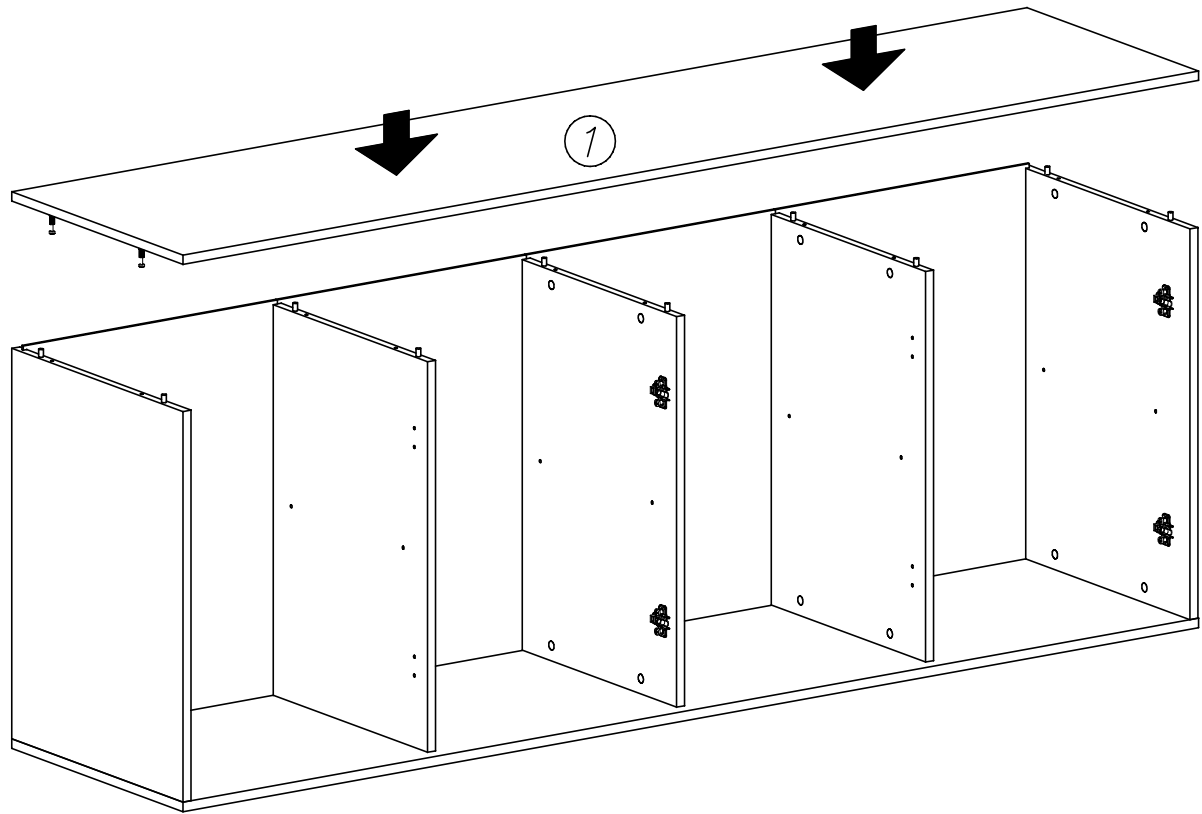


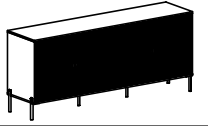
III



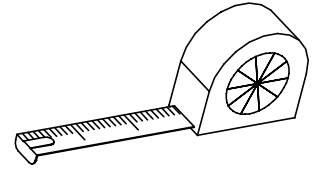
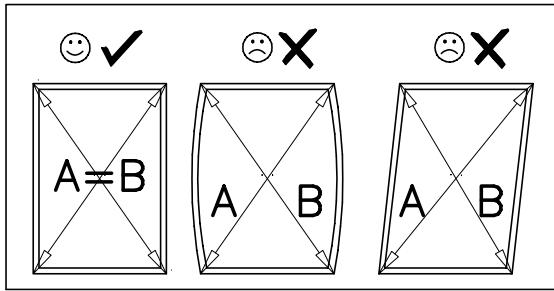


IV

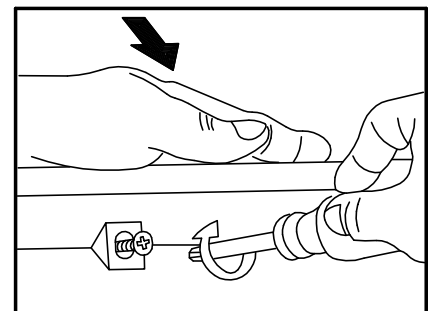
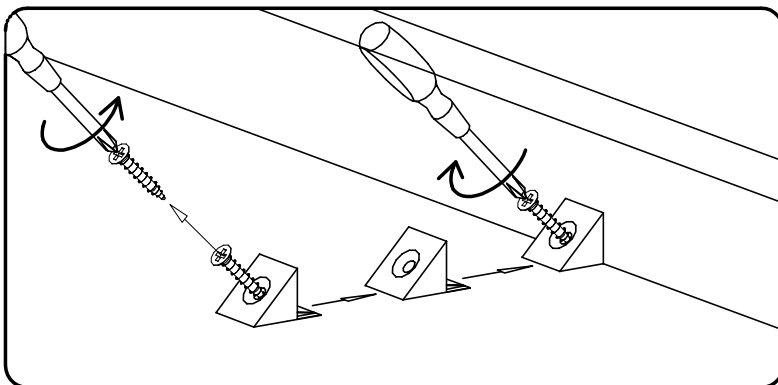
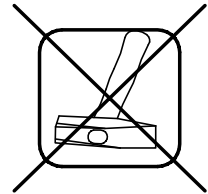
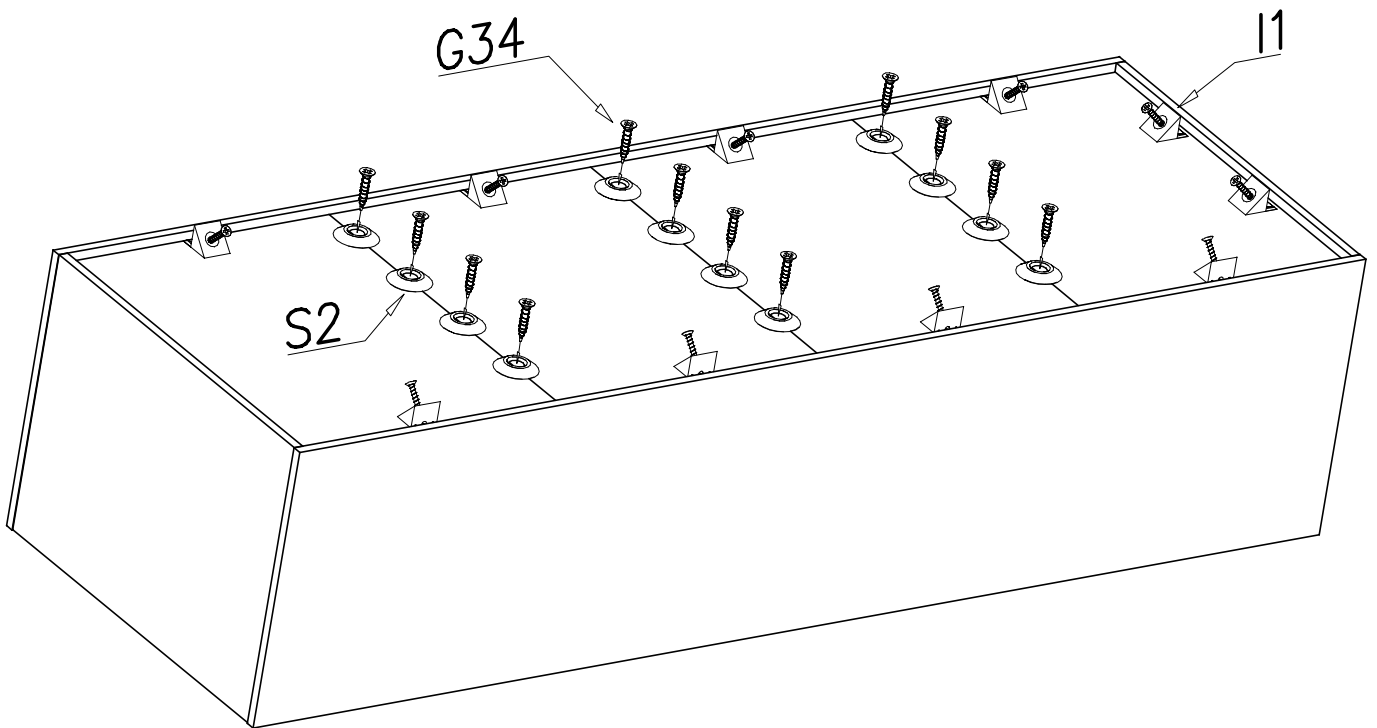


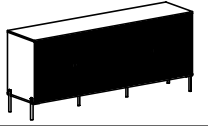


V

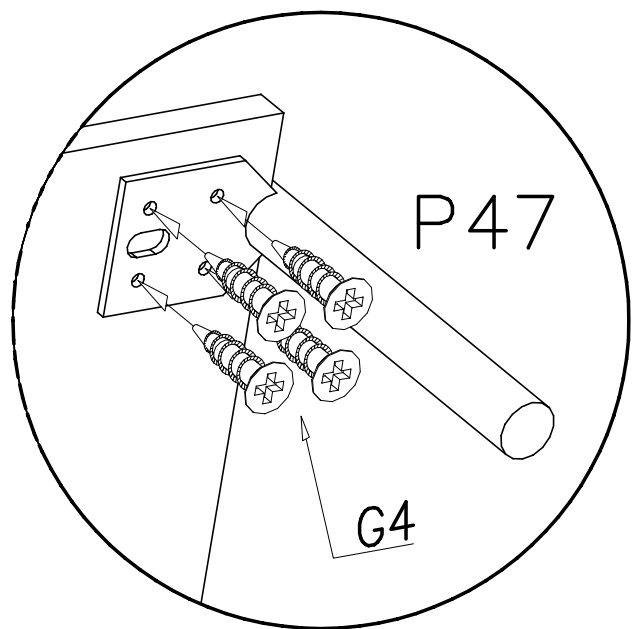
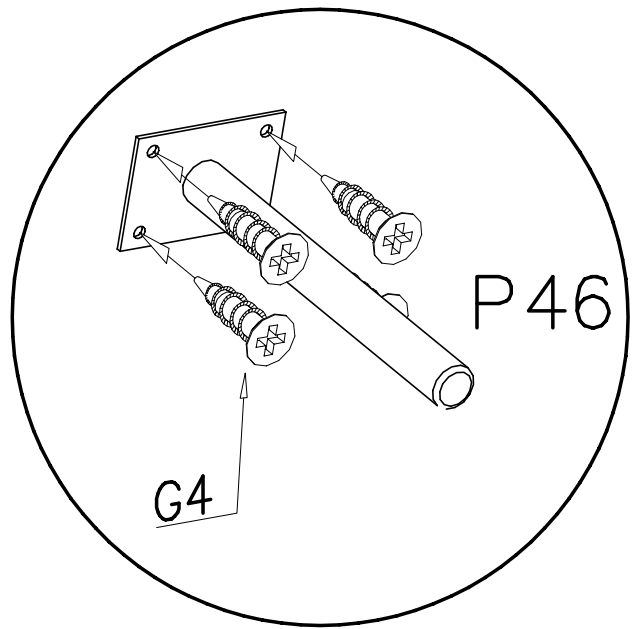
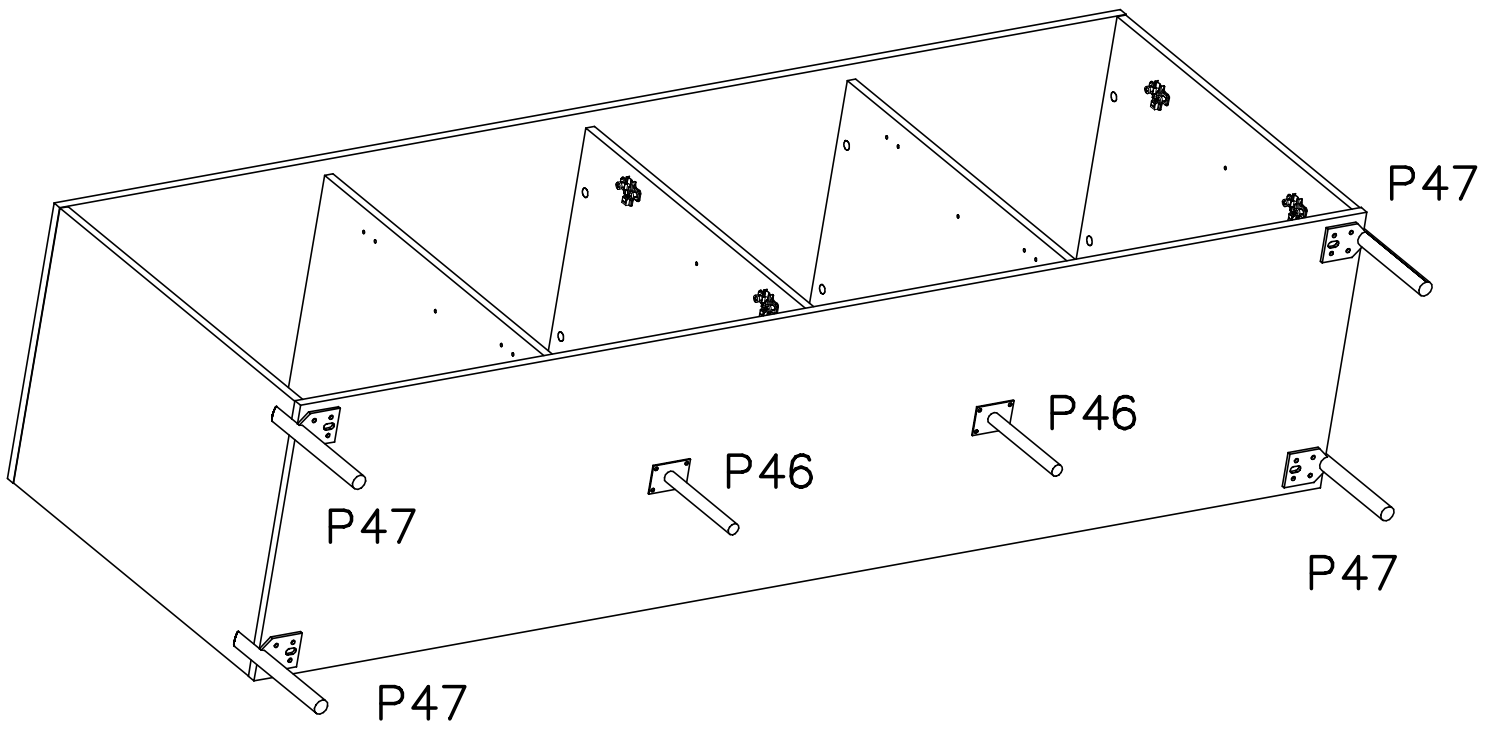
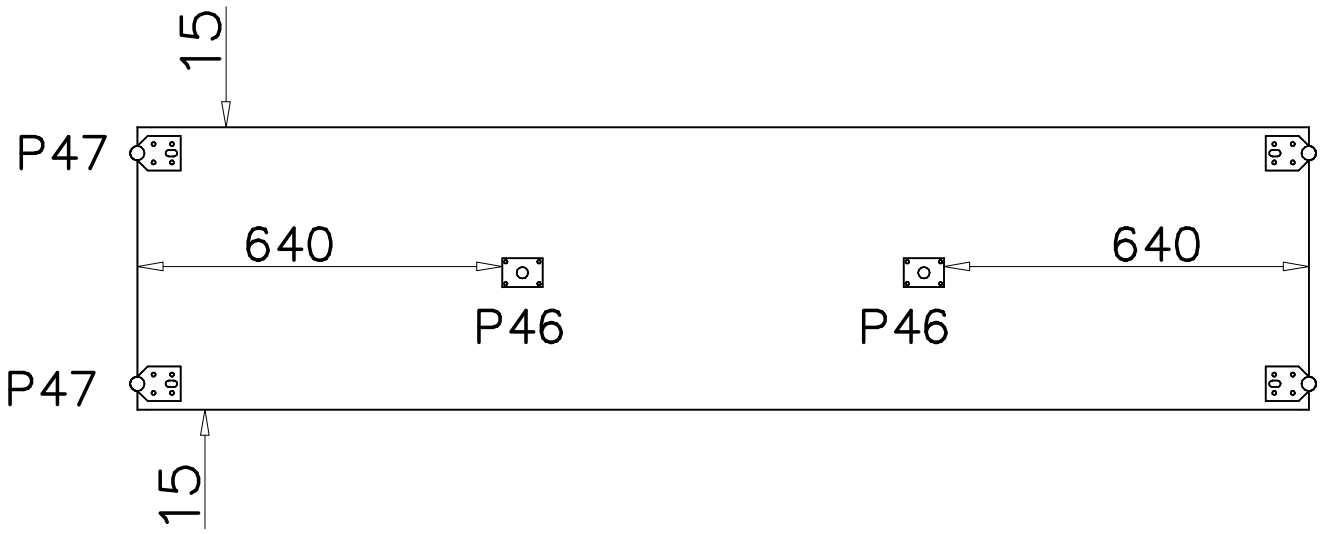


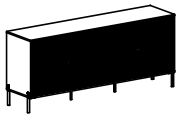
A=B



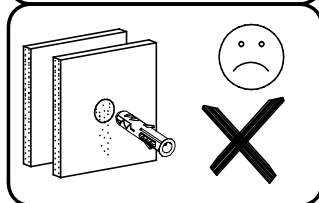
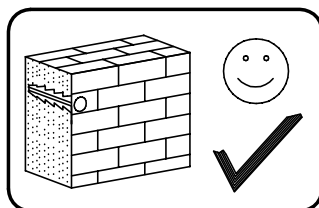
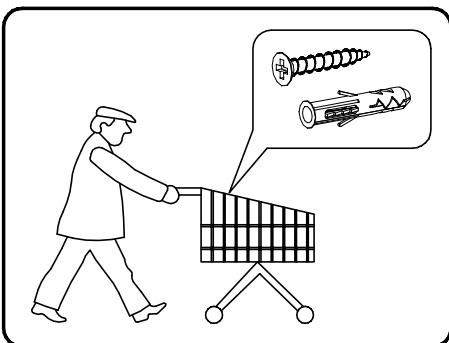
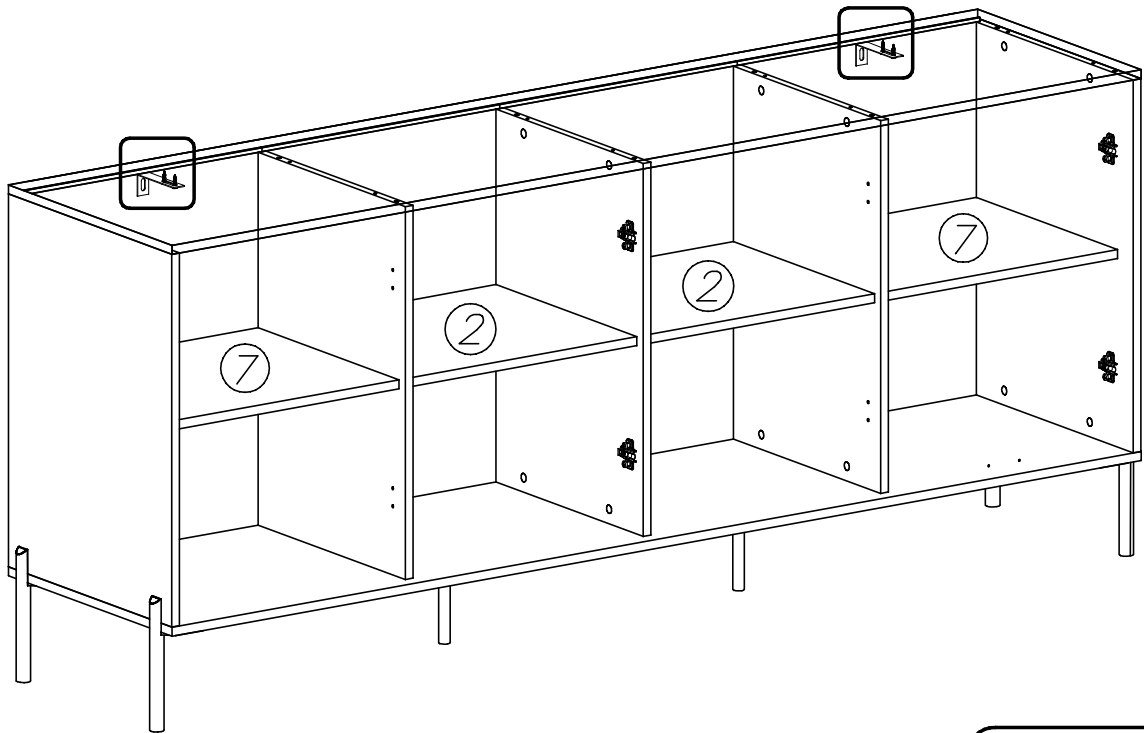
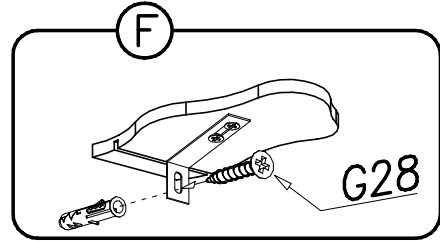
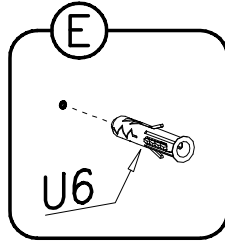
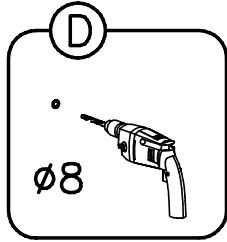
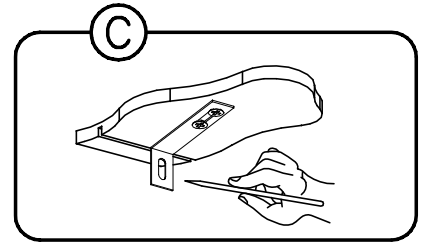
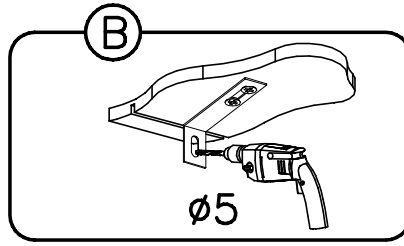
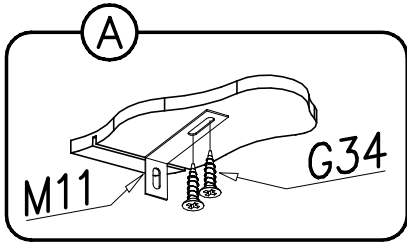


VI

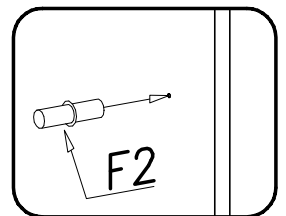




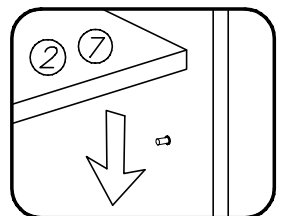
VII

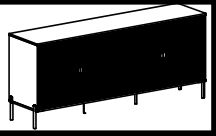


1

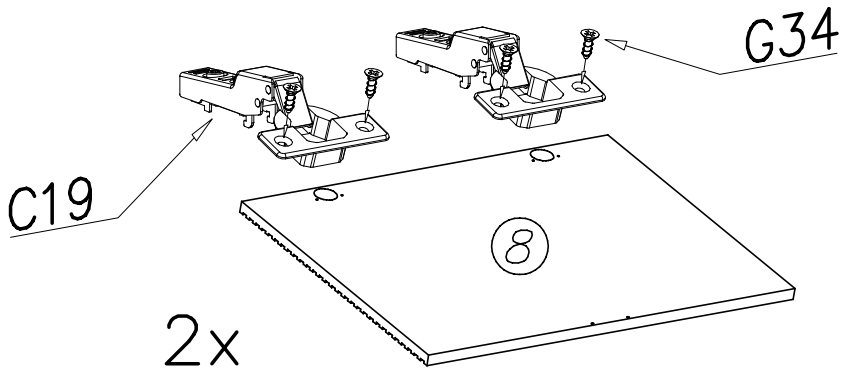
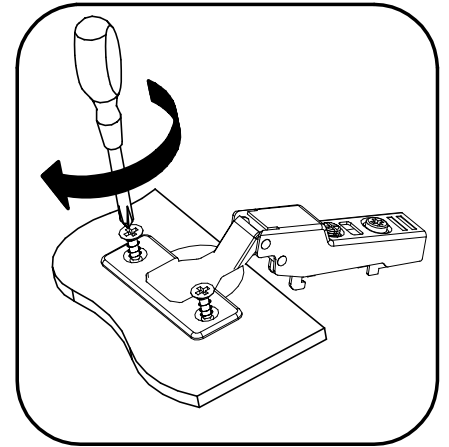
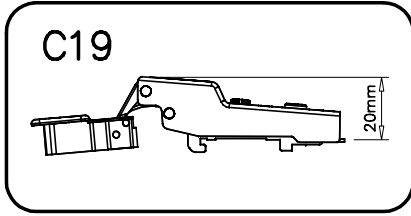


2

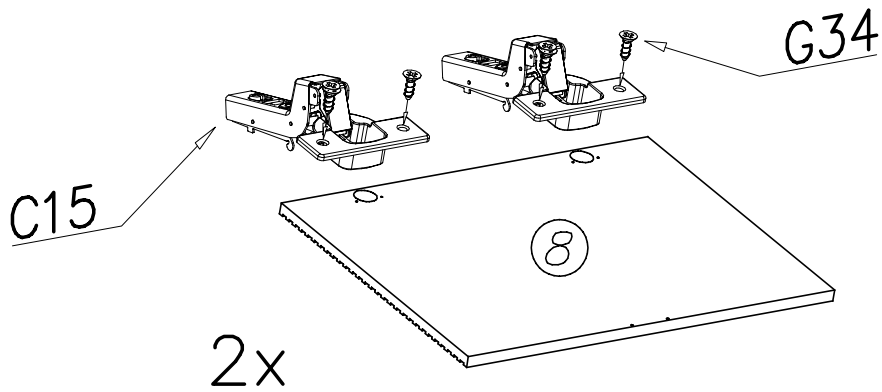
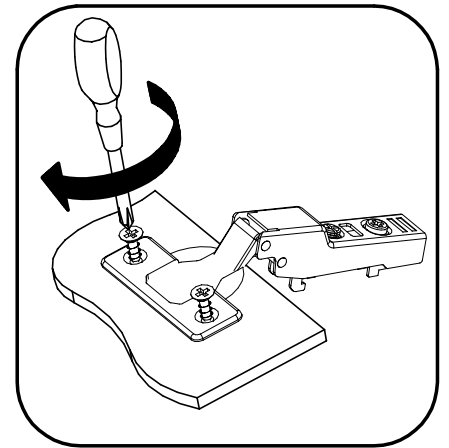
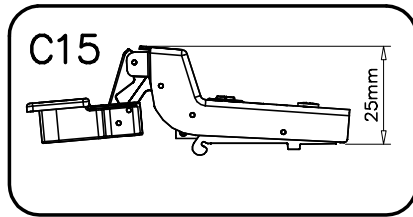


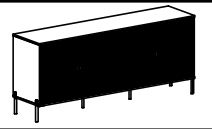


VIII

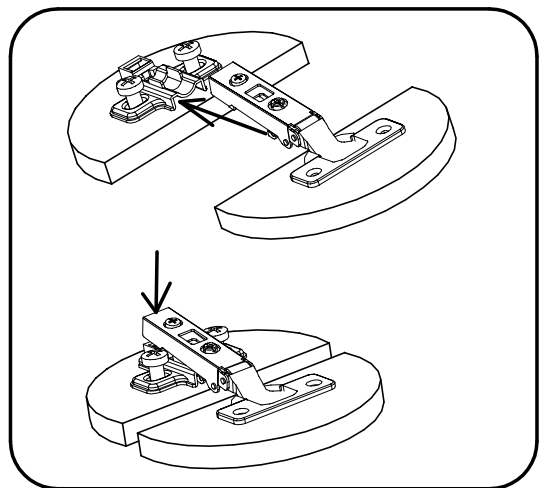
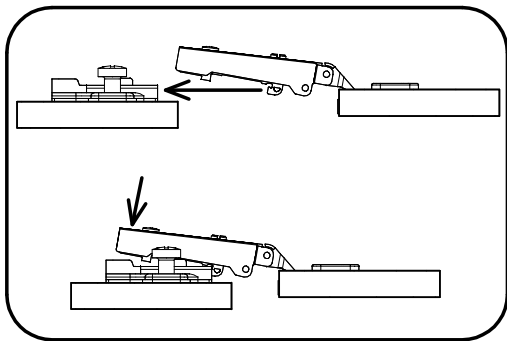
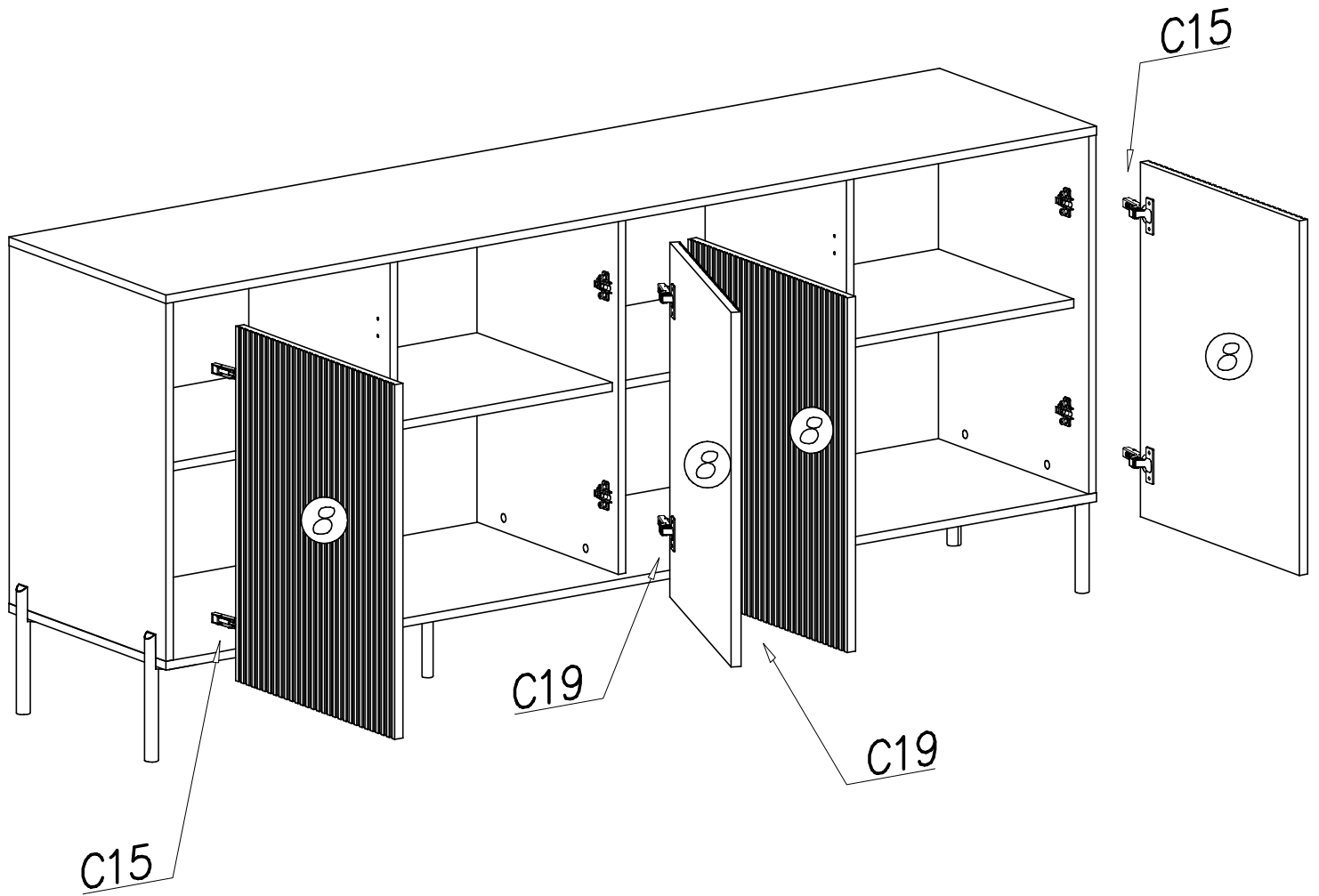


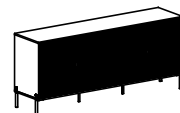
IX





X





XI

