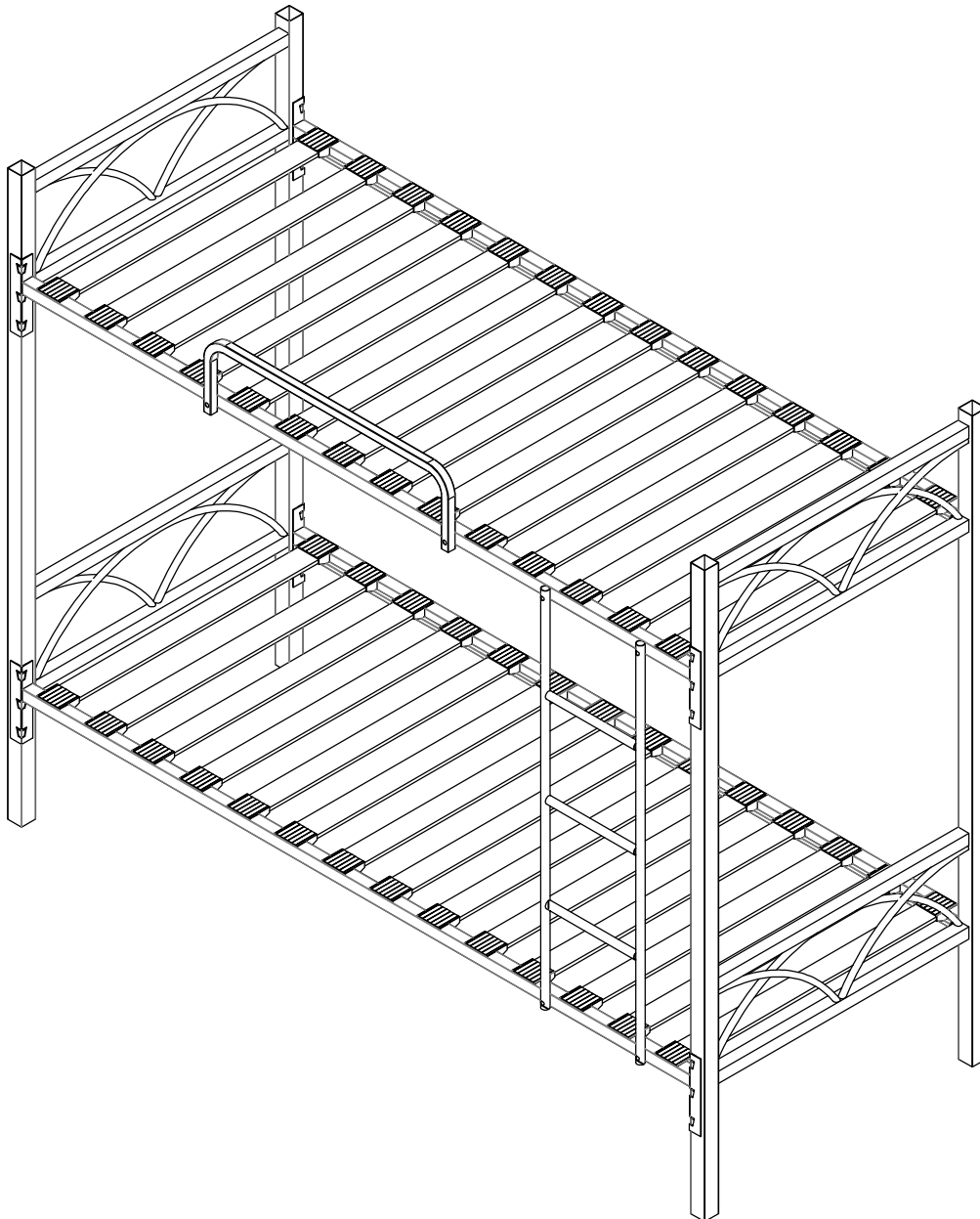


ASSEMBLY INSTRUCTION

800*1900



Read this instruction carefully. See hardware and furniture part list for guidance. Be sure all parts are complete before you assemble. Place all wooden furniture parts on a clean and flat soft surface to prevent from being scratched.

Follow the figure to start assembling.

CAUTIONS: 1. Do not FUIYI- TIGHTEN the nut or nut bolt until all nut or bolt is ready assembled.

2. Do not OVER - TIGHTEN the nut or bolt to avoid causing damages to the thread

3. Keep all hardware parts out of reach of children.

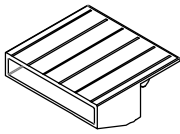
NOTE :THE LIST AND QUANTITY SHOWN ARE FOR 1 UNIT ASSEMBLY

A *6

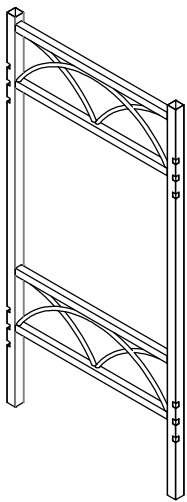


M8x40

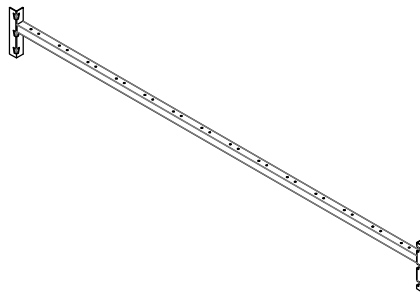
B *56



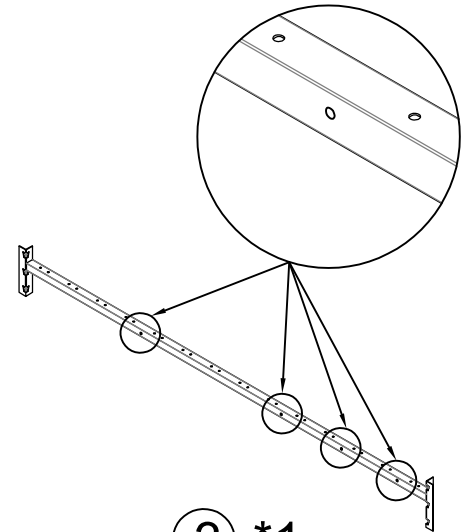
C *28



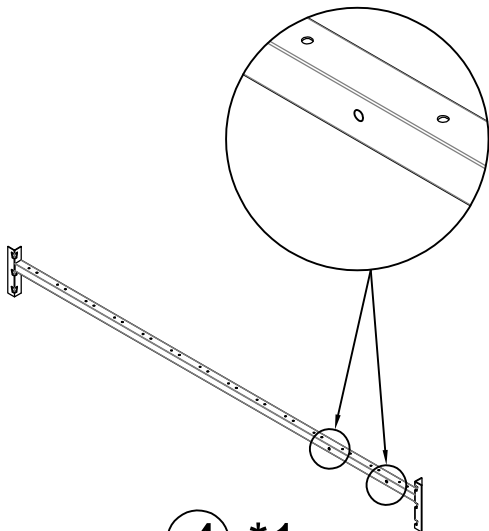
① *2



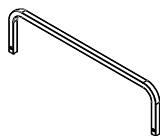
② *2



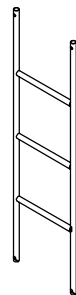
③ *1



④ *1

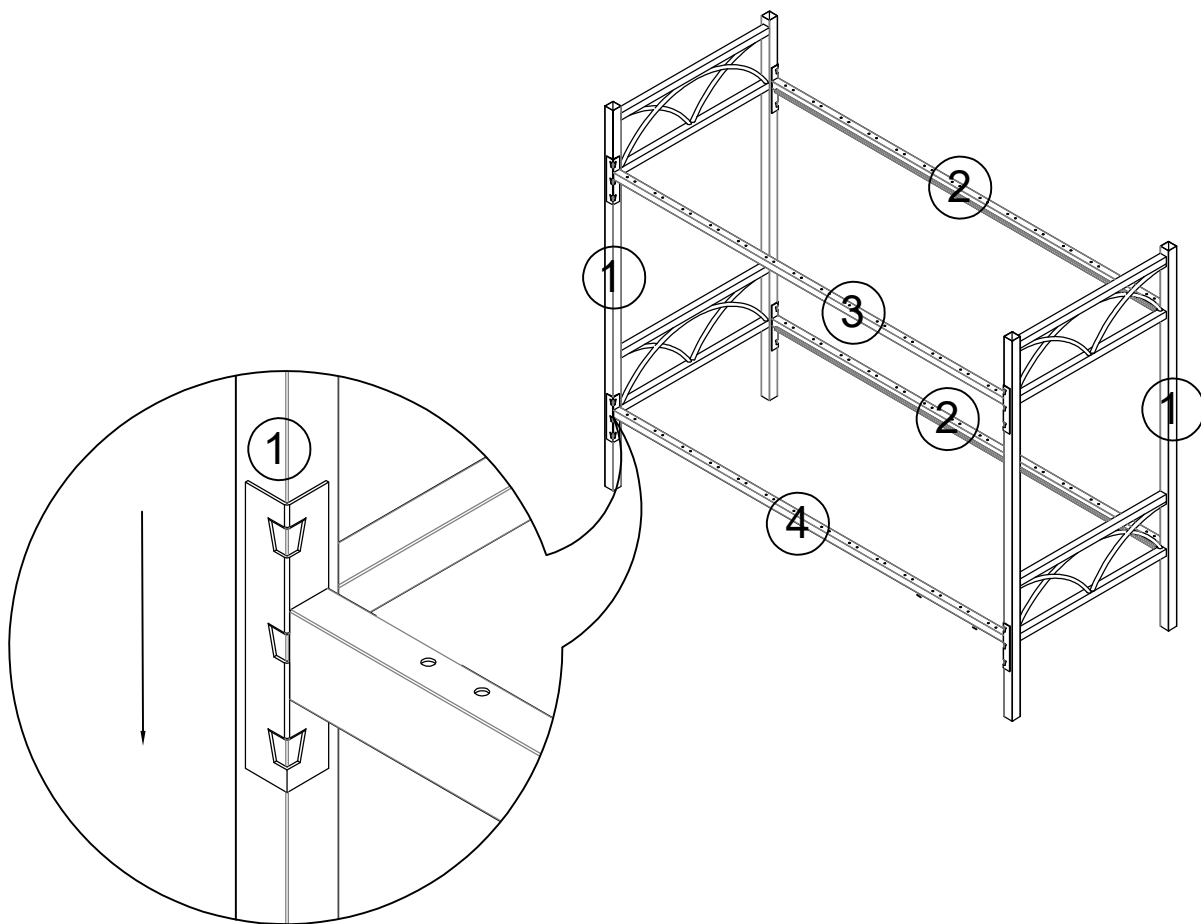


⑤ *1





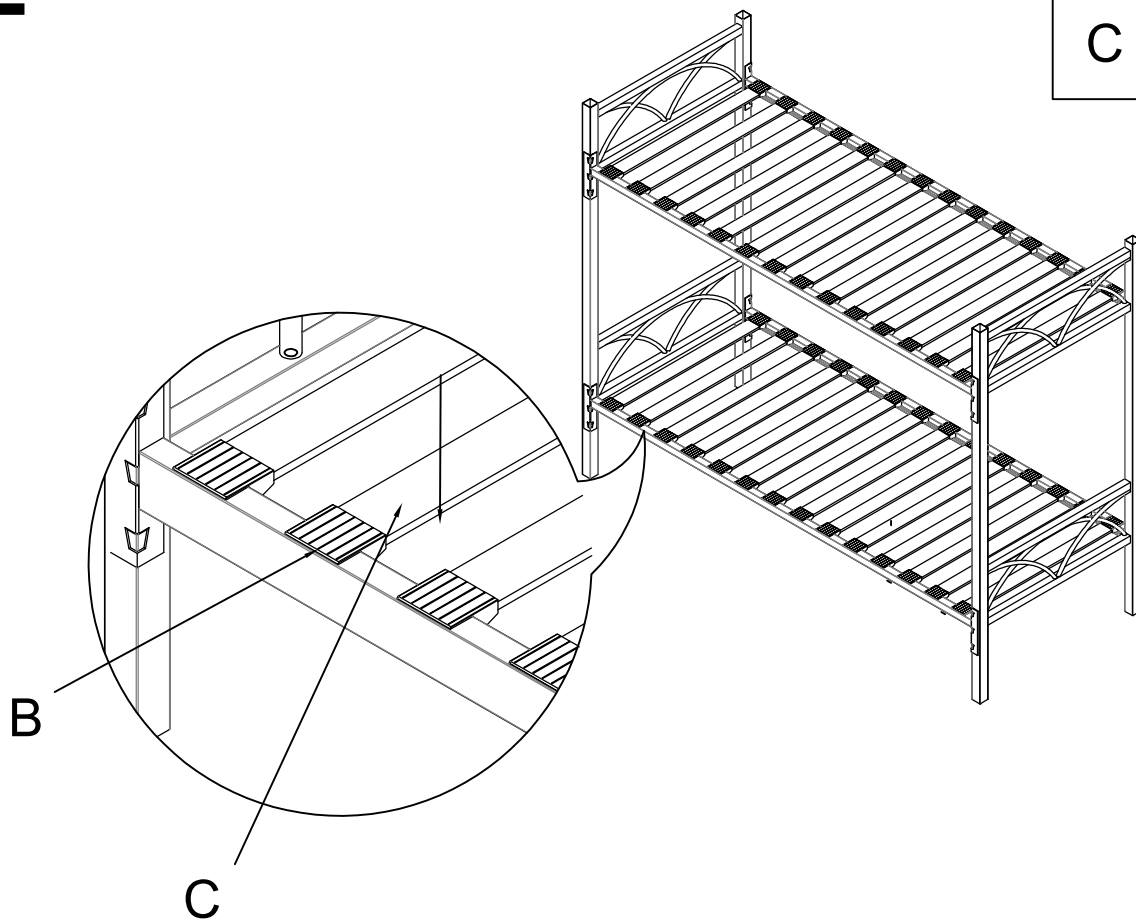
⑥ *1

1



2

B		*56
C		*28

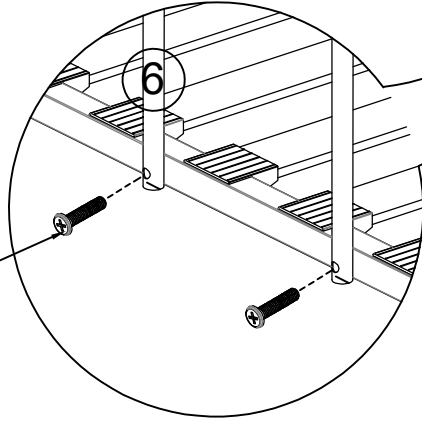
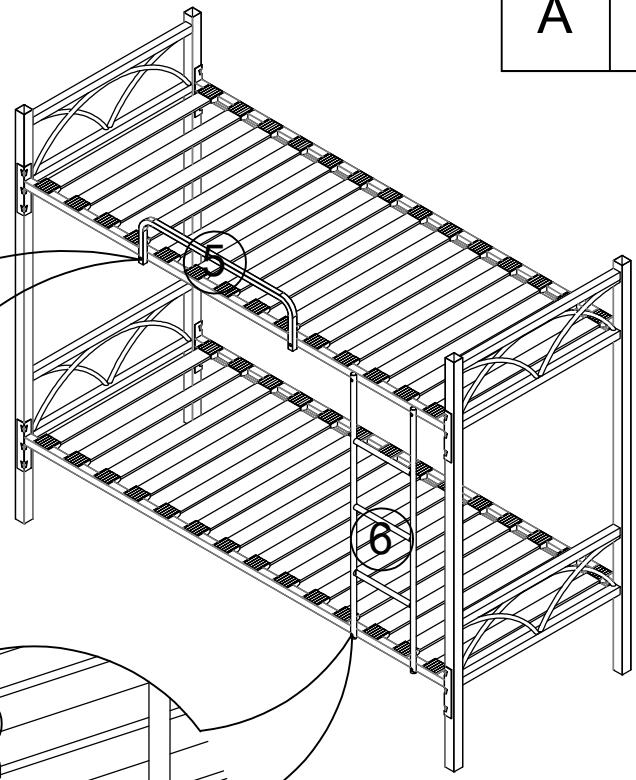
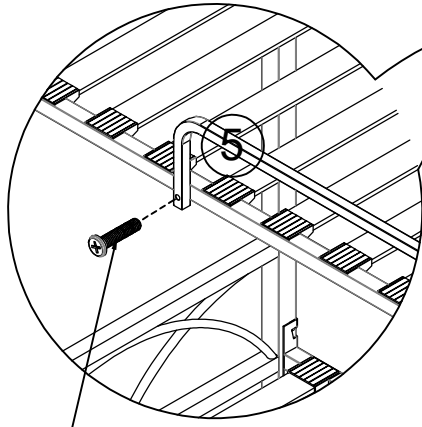


3

A



*6



A

A