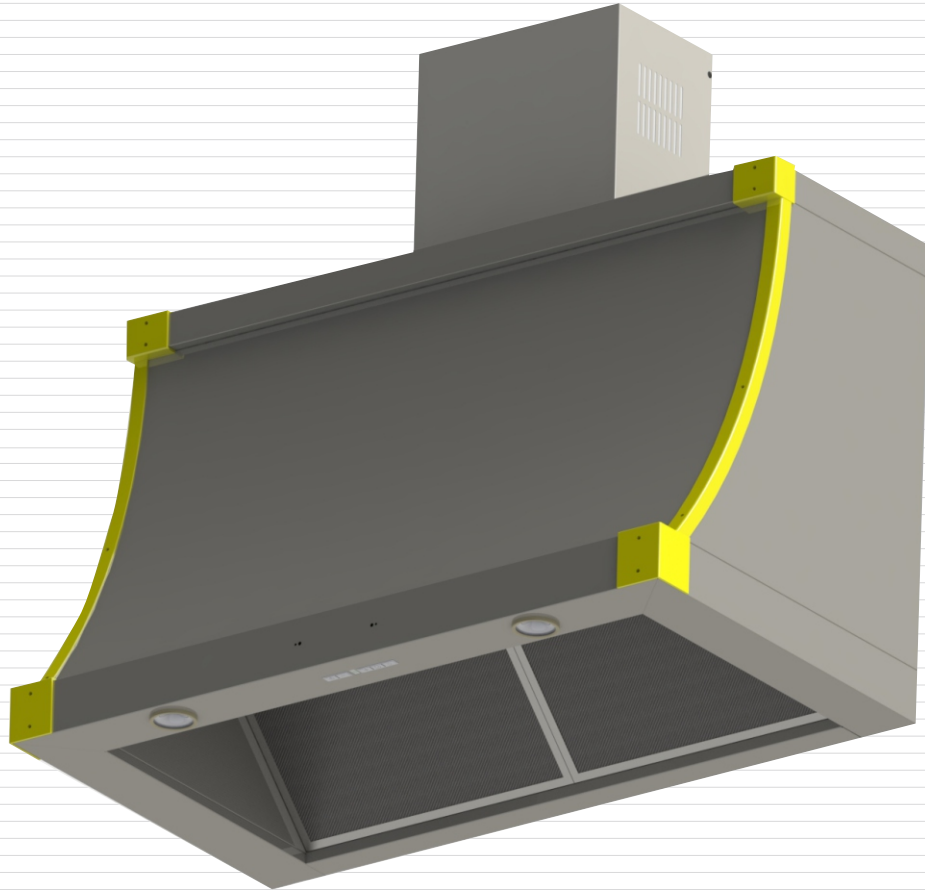


SAMET®



ERANE

ERAIX

INSTRUCTION MANUEL

Please read this guide first!

Our valued customer,
We want your product, produced in modern facilities and subjected to rigorous quality control, to offer you the best efficiency. For this reason, we kindly request that you read this entire manual carefully before using your product and keep it as a reference source.

This user manual...

It will help you use your product quickly and safely.

- Read the user manual before using and operating the product.
- Observe especially the safety information.
- Keep the user manual in an easily accessible place as you may need it later.
- Also read the other documentation supplied additionally with the product.
- Please note that this user manual may also apply to other models. The differences between models are clearly highlighted in the manual.

CONTENTS

1	IMPORTANT SAFETY NOTICE	2
2	FEATURE	2
3	SAFETY WARNING	3
4	PRODUCT INTRODUCTION AND TECHNICAL INFORMATION	4
5	MOUNTING & INSTALLATION	5-9
6	PRODUCT USAGE	9
7	MAINTENANCE & CLEANING ATTENTION	10-11

1 IMPORTANT SAFETY NOTICE

Dear Customer, thank you for choosing our cooker hood.

This Instruction manual (IM) explains the proper installation and use of your cooker hood.

- Please read the instruction manual carefully before using even if you are familiar with the product.
- The manual should be kept in a safe place for future reference.
- The installation work must be undertaken by a qualified and competent fitter.
- The manufacturer disclaims all liability for any damage or injury caused as a result of not following instructions for installation contained in the following text.
- The cooker hood is used on 220/240v, 50-60 Hz
- Please note, that this manual may also apply to other models. The difference between the models are clearly highlighted in the IM.

2 FEATURE

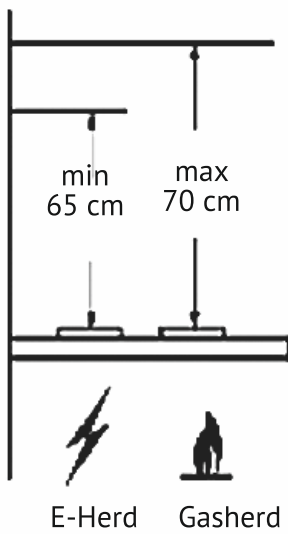
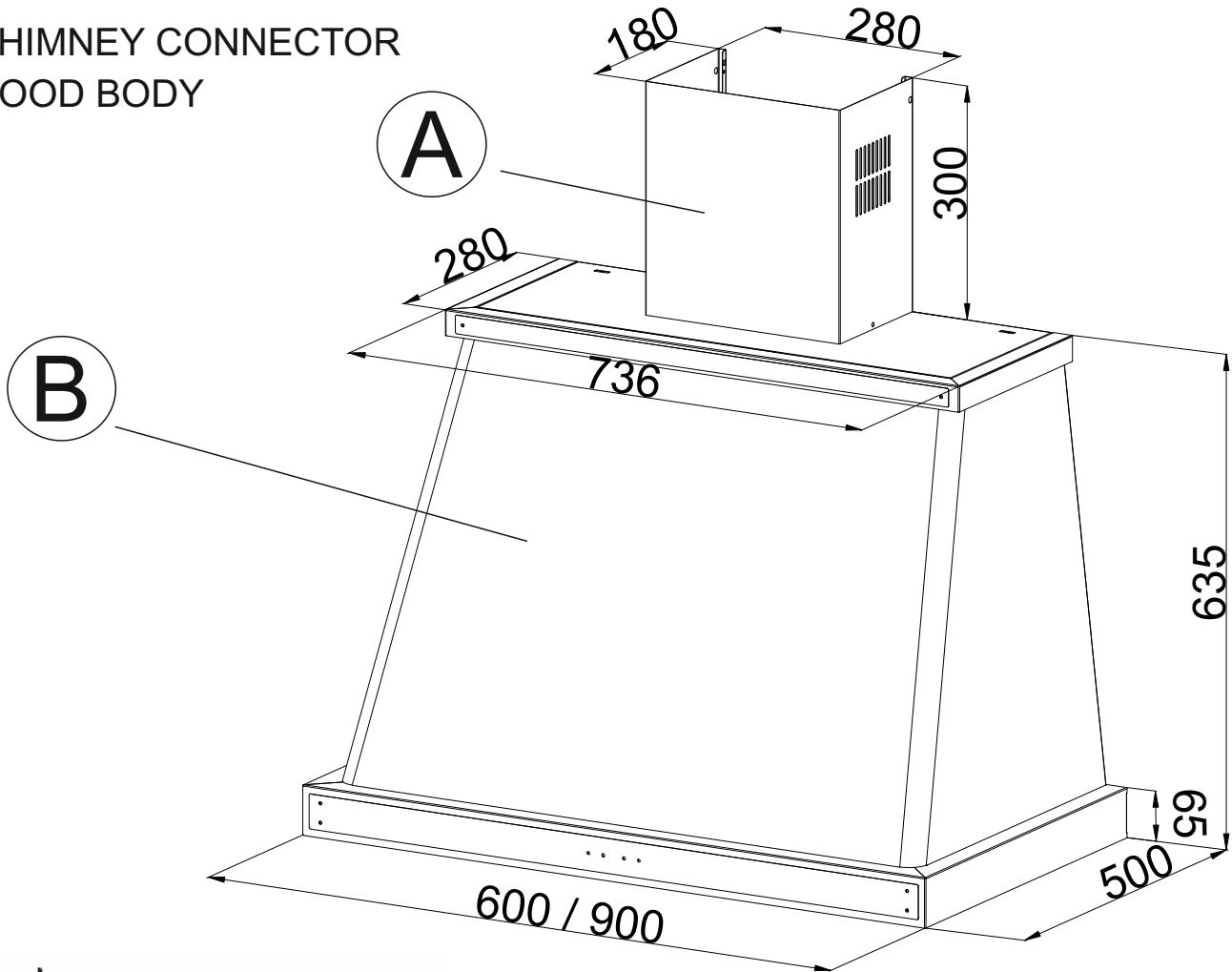
- The Cooker hood uses high quality materials and is made a a streamlined design.
- Equipped with a large power low noise electric motor it produces strong suction, low noise, non stick grease filter and easy to clean.

3 SAFETY WARNING

- The operating voltage is 220/240v
- Never let the children operate the cooker hood
- The cooker hood is for home use only, not suitable for industrial kitchens.
- Please ask the technical person to do the assembling
- The cooker hoods should be placed at a distance of 65-75cm from the cooking surface for the best effect.
- Do not try to use the cooker hood without the grease (aluminum) filters or if the filters are excessively greasy.
- Do not remove the filter while the hood is operating
- Do not leave frying pans unattended during use because overheated fats or oils might catch fire and the oil in the aluminum filter may ignite and cause fire.
- Never leave naked flames under the cooker hood.
- If cooker hood cleaning is not carried out periodically, in hood may occur burning risk
- The hood should be operate after putting pots or pans on the hobs.
- In order to clean the kitchen air well from smell, the hood should be operate also 15 minutes after cooking or frying is over.
- The cooker hood and its filter mesh should be clean regularly in order to keep in good working order
- Before cleaning, please switch the power off at the main supply
- Clean the cooker hood according to the instruction manual and keep the cooker hood from the danger of burning.
- If there is any fault with the appliance, please call the service department to arrange a service engineer.

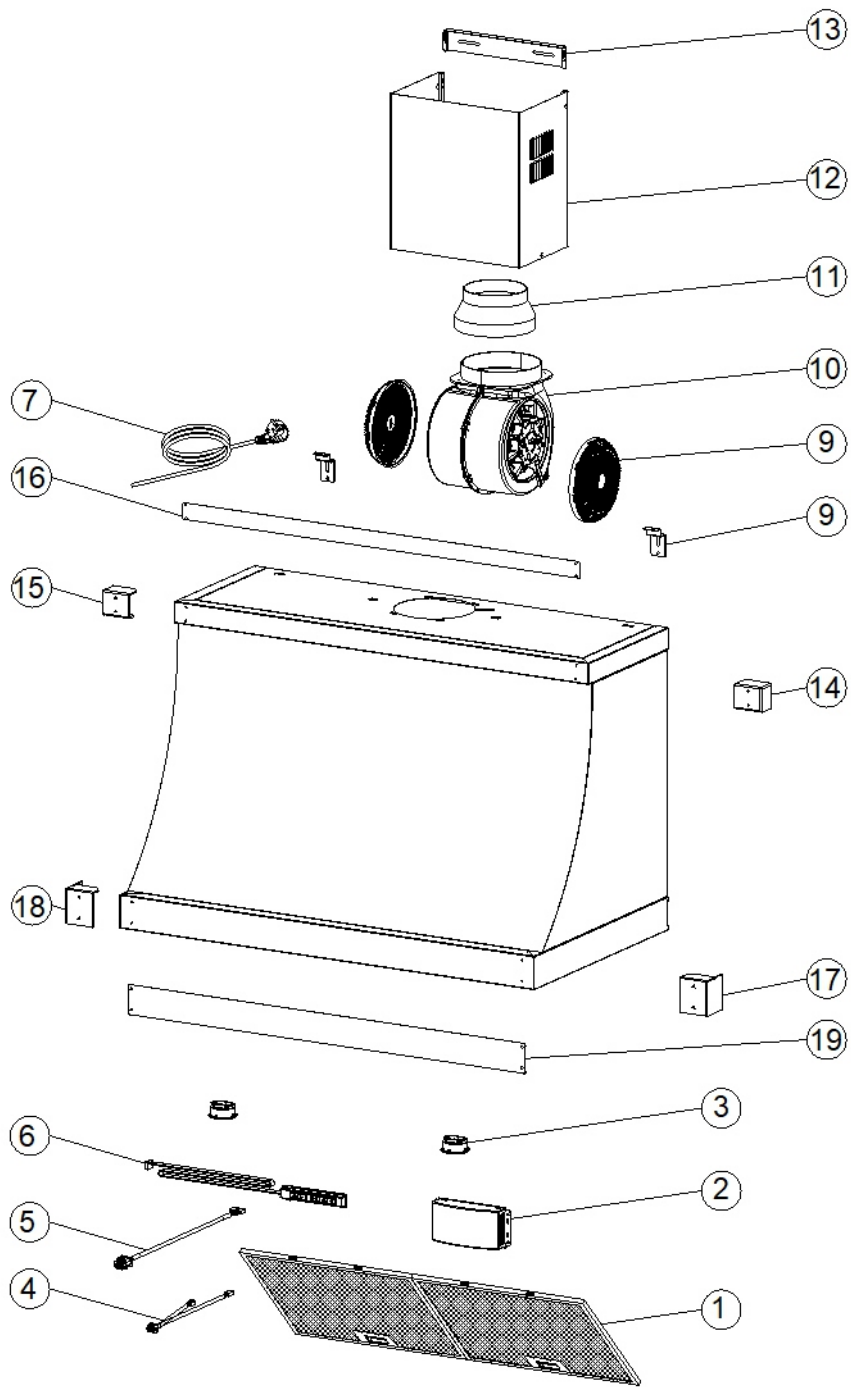
4 PRODUCT INTRODUCTION AND TECHNICAL INFORMATION

- Ⓐ CHIMNEY CONNECTOR
- Ⓑ HOOD BODY



WIDTH	600/900 mm
DEPTH	500mm
HEIGHT	635 mm
VOLTAGE	220-240V, 50-60 Hz
CAPACITY	850 m3/h
POWER	244 W
MOTOR POWER	240 W
LAMPS POWER	2X2W
AIR OUTPUT	150/120 mm
GROSS WEIGHT	18,00kg
NET WEIGHT	18,80 kg

5 MOUNTING & INSTALLATION



5 MOUNTING & INSTALLATION

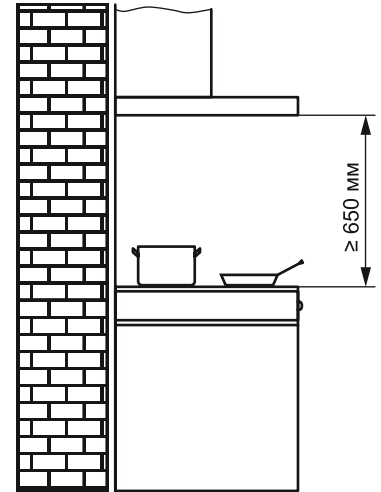
INSTALLATION SAFETY REQUIREMENTS



Before starting the installation of the product, the power supply must be turned off.

The minimum distance between the cooking surface and the bottom plane of the hood must be:

- At least 600 mm for electrical surfaces
- At least 650 mm for gaseous surfaces.



If there is a stove, gas boiler or column in the room, care should be taken to ensure that the hood receives the necessary air to avoid burning during operation. This also applies to rooms with closed windows and doors.

In order for the hood to operate safely in a closed area, additional air intake must be provided from the outside.

5 MOUNTING & INSTALLATION

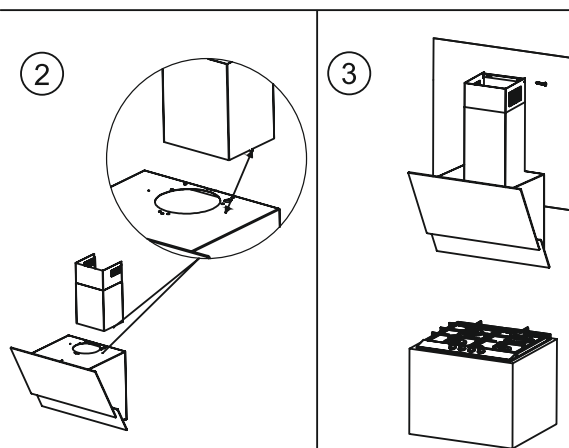
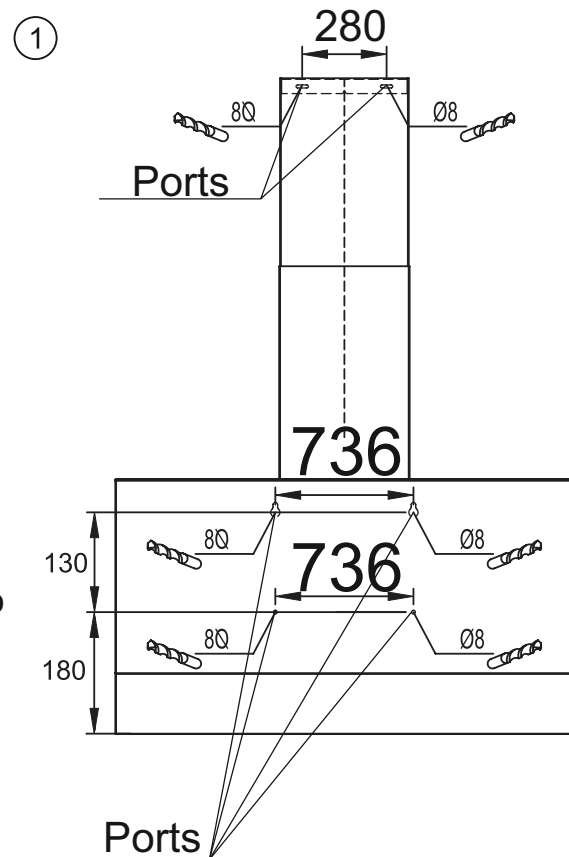
MOUNTING THE HOOD ON THE WALL

1. Put a mark on the wall, step 1.

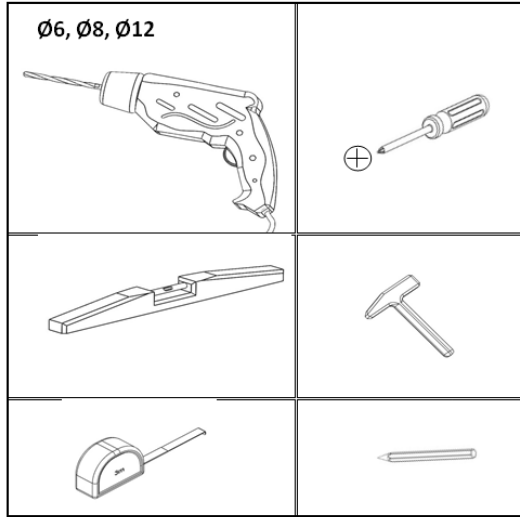
2. Drill holes for dowels: $\varnothing 8$ 6 pcs. Attach the rear panel of the hood to the wall using the 3 dowels and self-tapping screws from the mounting kit.








3. Connect the air duct 3 to the hood adapter. Bring the other end of the air duct to the ventilation shaft. Make sure there are no gaps in the connections.

4. Install and screw the decorative boxes. To the headboard, the lower decorative box is screwed to the protrusions that need to be bent, step 2 i 3.



5 MOUNTING & INSTALLATION



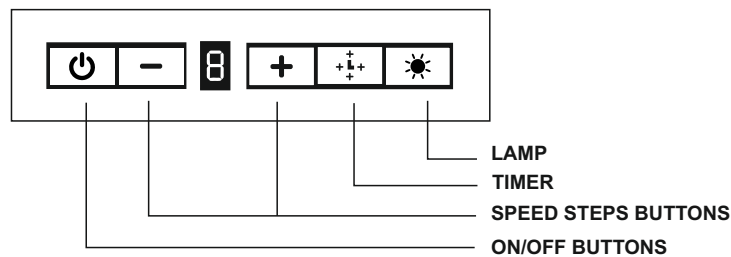
	Ø8x40	4x
	Ø5x40	4x
	Ø7	4x
	Ø3.9x19	6x
		1x
		1x
	120	1X


5 MOUNTING & INSTALLATION

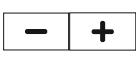
Aluminum pipe fitting: One end of the aluminum pipe is the plastic bacquet on the product; And the other end to the kitchen sink. Make sure that these two connectors are tight enough that they will not come out of place when the hood is operating at the highest speed. The diameter of plastic bacan on the product is 150 mm. If aluminum pipe with a diameter of 120 mm is to be used, it is necessary to install a plastic reducer from the packaging.

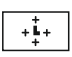
6 PRODUCT USAGE


- We recommend that the cooker be opened before any food is cooked. At the same time, we recommend that your product be cooked for 15 minutes after cooking to remove all the dirty air.
- The effective performance of your hood depends on regular care; Oil filter requires special attention.
- The oil filter is used to catch oil particles suspended in the air; Therefore it reaches saturation for a certain period of time (the saturation of the filter depends on the method of use of the product).
- The lighting system is designed to be used during the cooking process; Please do not use it for a long time to general illumination of the room.



 **On/Off button:** Touching this area will start working at the 2nd speed level when you turn on the product. Press this field to turn off the product while it is running.

 **Speed Steps:** The cycle stages are denoted as 1, 2, 3, 4 and 5; You can increase or decrease the product's running speed, respectively.

 **Timer:** If you press the timer button while the aspirator is operating in any of the cycle stages, the aspirator will run for 15 minutes and will stop automatically after this time. When the automatic stop is activated, the speed indicator on the display will flash. It is sufficient to press this function again to deactivate it before 15 minutes.

 **Lighting button:** You can illuminate the cooking area by touching this area.

7 MAINTENANCE & CLEANING ATTENTION

MAINTENANCE & CLEANING ATTENTION

Before performing any maintenance operation, isolate the hood from the electrical supply by switching off at the connector and removing the connector fuse. Or if the appliance has been connected through a plug and socket, then the plug must be removed from the socket.

The cooker hood should be cleaned regularly (at least with the same frequency with which you carry out maintenance of the fat filters) internally and externally. Clean using the cloth dampened with neutral liquid detergent. Do not use abrasive products.

To protect the main body from corrosion over a long period of time, the cooker hood should be cleaned with hot water plus non corrosive detergent every two months. Please do not use abrasive detergent for it will damage the body. Keep the motor and other spare parts free from water, as this will cause damage to the appliance.

DO NOT USE ALCOHOL!

If the plug or cord is damaged, please replace it with special soft cord.

ALUMINUM (GREASE) FILTER

Traps cooking grease particles. The grease filter must be cleaned once a month using non aggressive detergents, either by hand or in the dishwasher, which must be set to a low temperature and a short cycle. When washed in a dishwasher, the grease filter may discolour slightly, but this does not affect its filtering capacity. Please do not use the corrosive detergent on it. To remove the grease filter, pull the spring release handle. Charcoal filter (filter version only) It absorbs unpleasant odours caused by cooking.

CHARCOAL (CARBON) FILTER

The saturation of the charcoal filter occurs after more or less prolonged use, depending on the type of cooking and the regularity of cleaning of the grease filter. In any case it is necessary to replace the cartridge at least every four months. The charcoal filter may NOT be washed or regenerated. The carbon filter shouldn't be exposed to heat. Please don't tear open the fixed bar around the carbon filter.

CIRCULAR CARBON FILTER

Carbon filters are used only when the hood is not supported Keyed to the ventilation duct. Activated carbon filters have the ability to absorb odors until completely absorbed. Not subject regeneration or cleaning, should change at least every two months.

Apply one on each side as cover to both the shield grids of the motor impeller, then turn clockwise. For the disassembly, turn counter clockwise.

REPLACING LAMPS

The illumination system consists of 2x2 Led, Flush Lighting and etc. different types of Led Lighting. Disconnect the appliance from the electricity. **Warning!** Prior to touching the light bulbs ensure they are cooled down. Replace the old light bulb with the one of the same type as specified in the feature label or near the light lamp on the hood. The hood is equipped with a lighting system based on LED technology. The LEDs guarantee an optimum lighting, a duration up to 10 times as long as the traditional lamps and allow to save 90% electrical energy. For replacement, contact the technical service.

7 MAINTENANCE & CLEANING ATTENTION

Your contribution to protecting the environment

By ensuring this product is disposed of correctly, you will help prevent potential negative consequences for the environment and human health, which could otherwise be caused by inappropriate waste handling of this product. The symbol on the product indicates that this product may not be treated as household waste. Instead it shall be handed over to the applicable collection point for the recycling of electrical and electronic equipment. Disposal must be carried out in accordance with local environmental regulations for waste disposal. For more detailed information about treatment, recovery and recycling of this product, please contact your local city office, your household waste disposal service or the shop where you purchased the product.