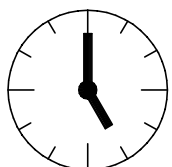
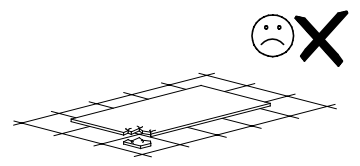
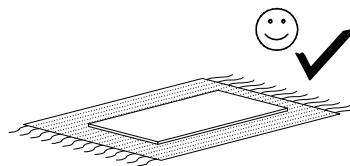
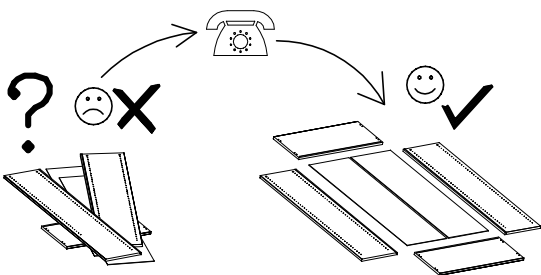
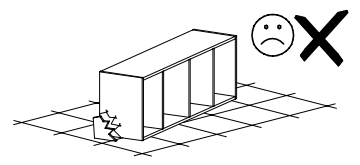
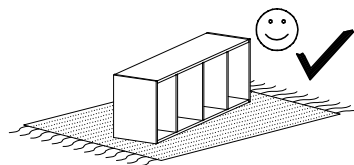
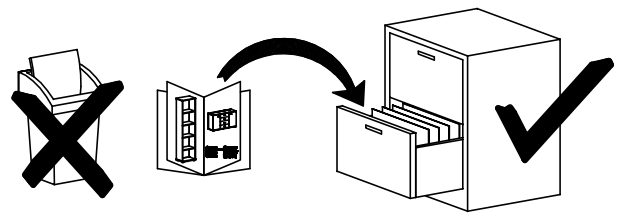
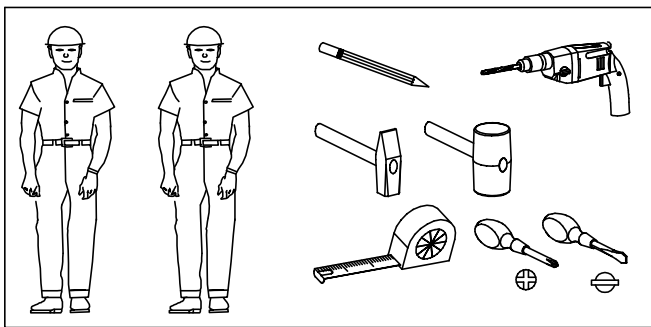
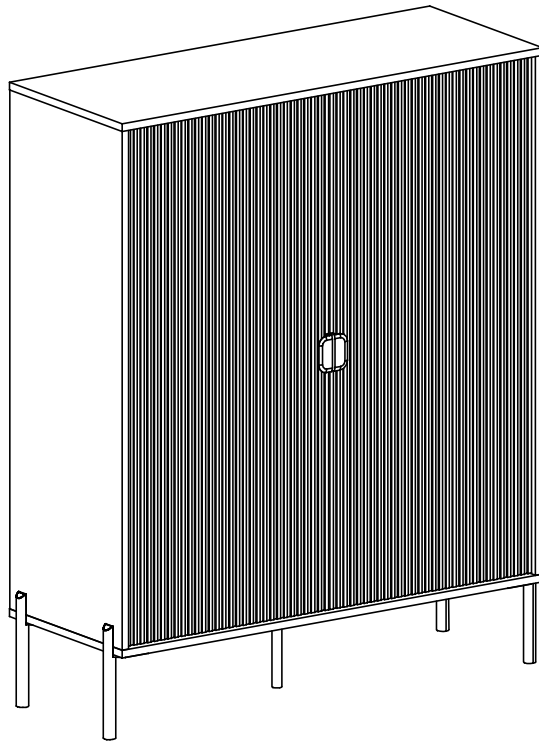
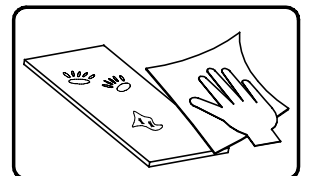
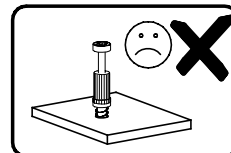
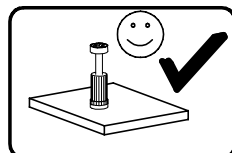
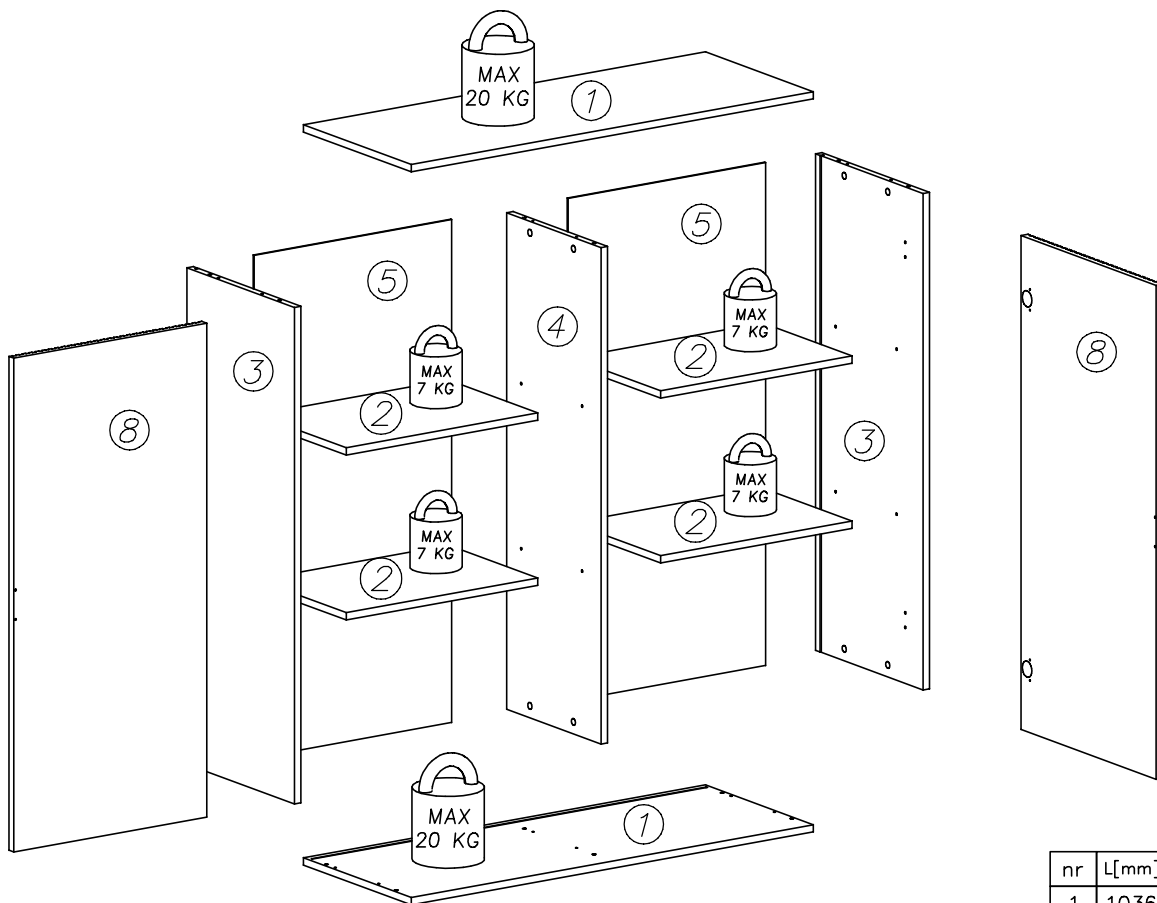
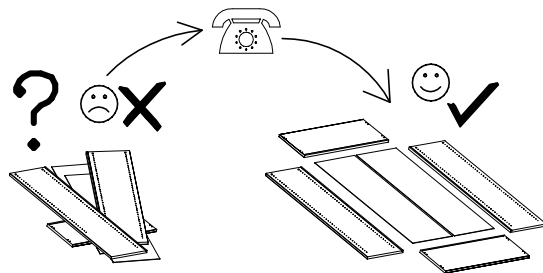
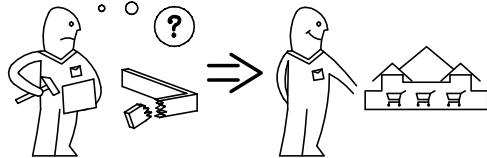
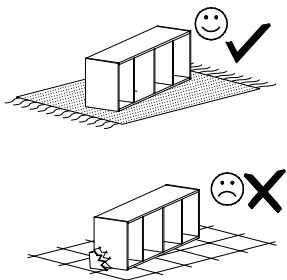


# LOTUS – D2




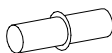


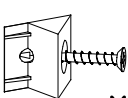
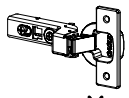
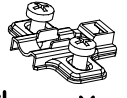




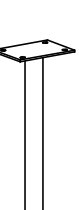
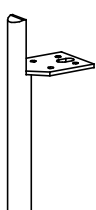
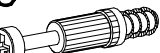


1,5h

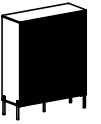




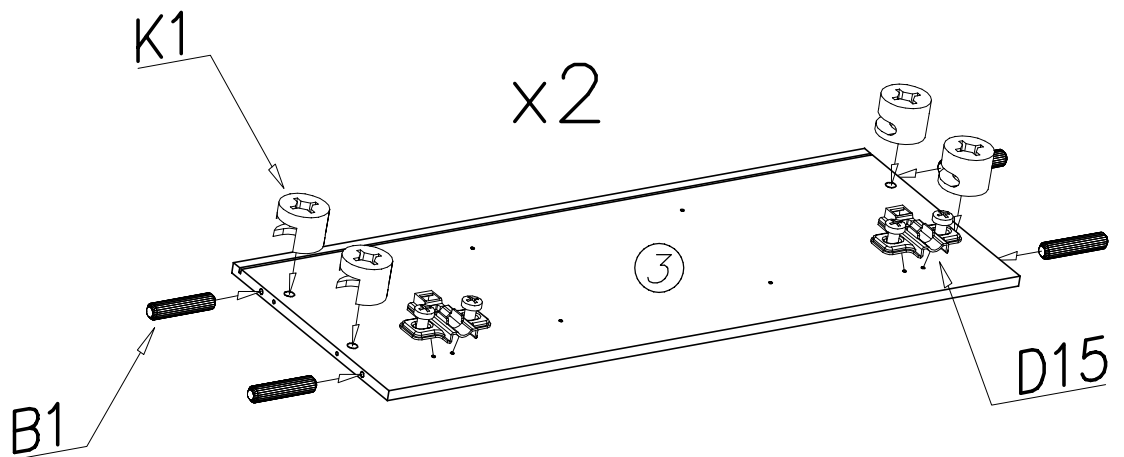
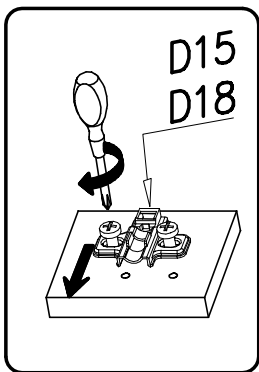
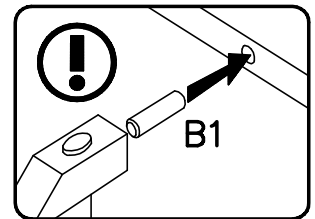
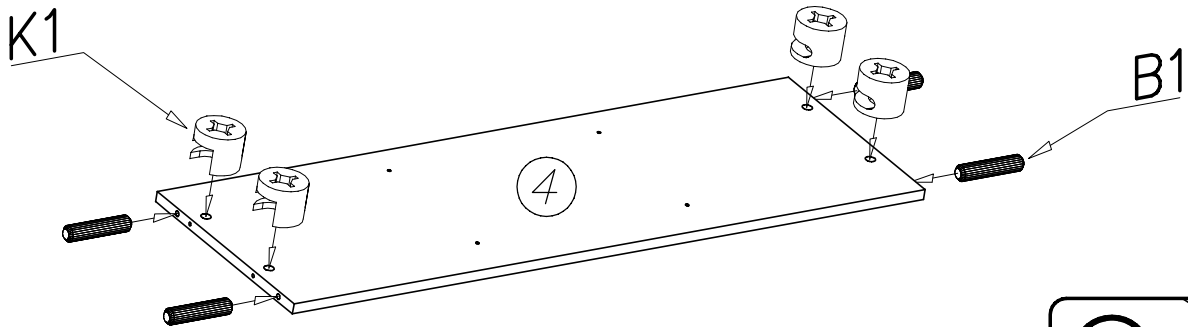
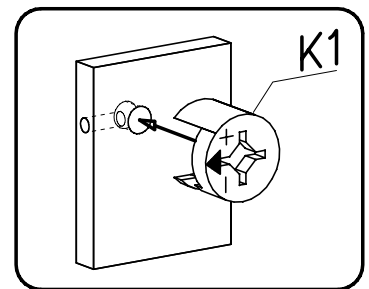
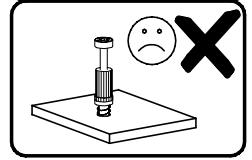
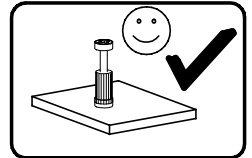
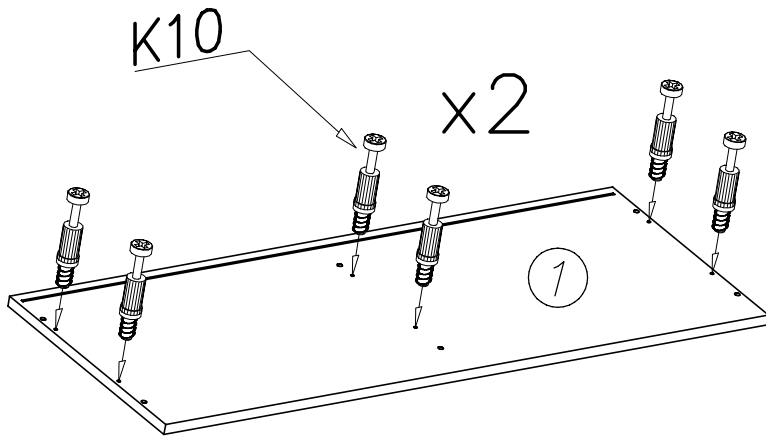
nr	L[mm]	B[mm]	T[mm]	Menge	Colli
1	1036	396	16	2	1/2
2	492	328	16	4	1/2
3	1082	395	16	2	1/2
4	1082	347	16	1	2/2
5	1094	507	3	2	2/2
8	1074	496	18	2	2/2
Beschlage					1/2

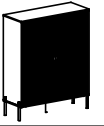


		N41  M4x22 x...(4)	F2  x...(16)	E108  64mm x...(2)
M11  x...(1)	I1  x...(8)	C15  Z35CL x...(4)	D15  PZ35CL x...(4)	G4  4x16 x...(20)
K1  ø15x12 x...(12)	I7  ø18 x...(12)	G34  3,5x16 x...(21)	P46  x...(1)	P47  x...(4)
K10  x...(12)	B1  ø8x35 x...(12)	S2  x...(11)		

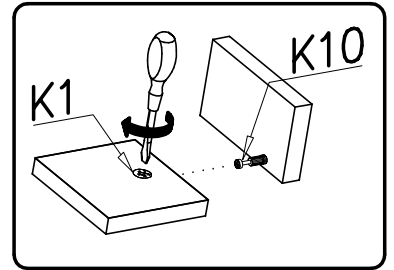
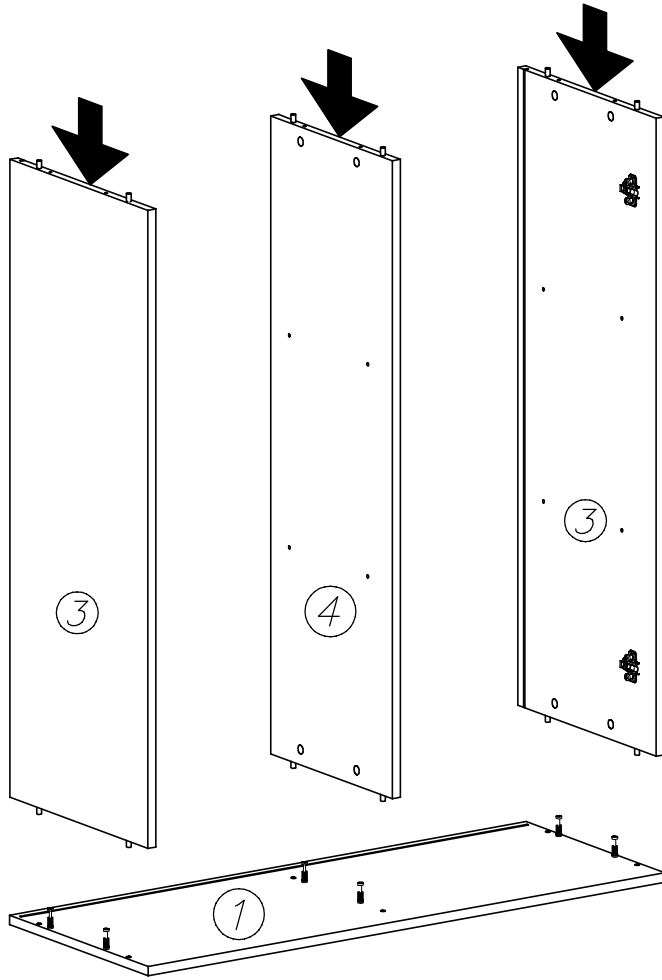


I

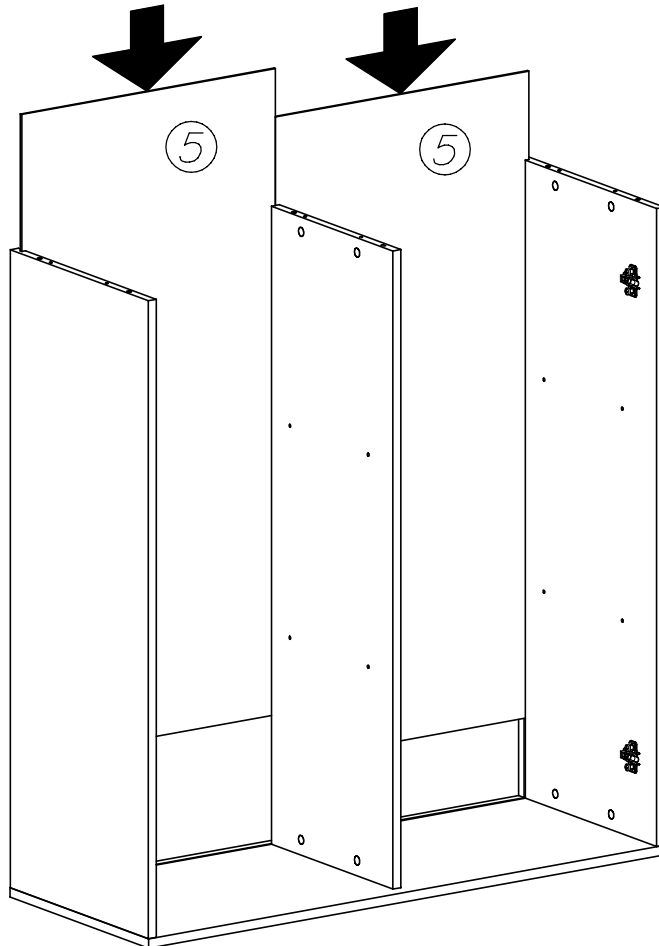


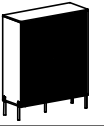


II

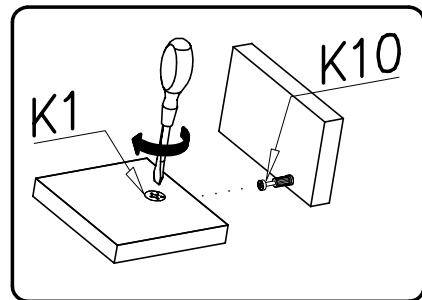
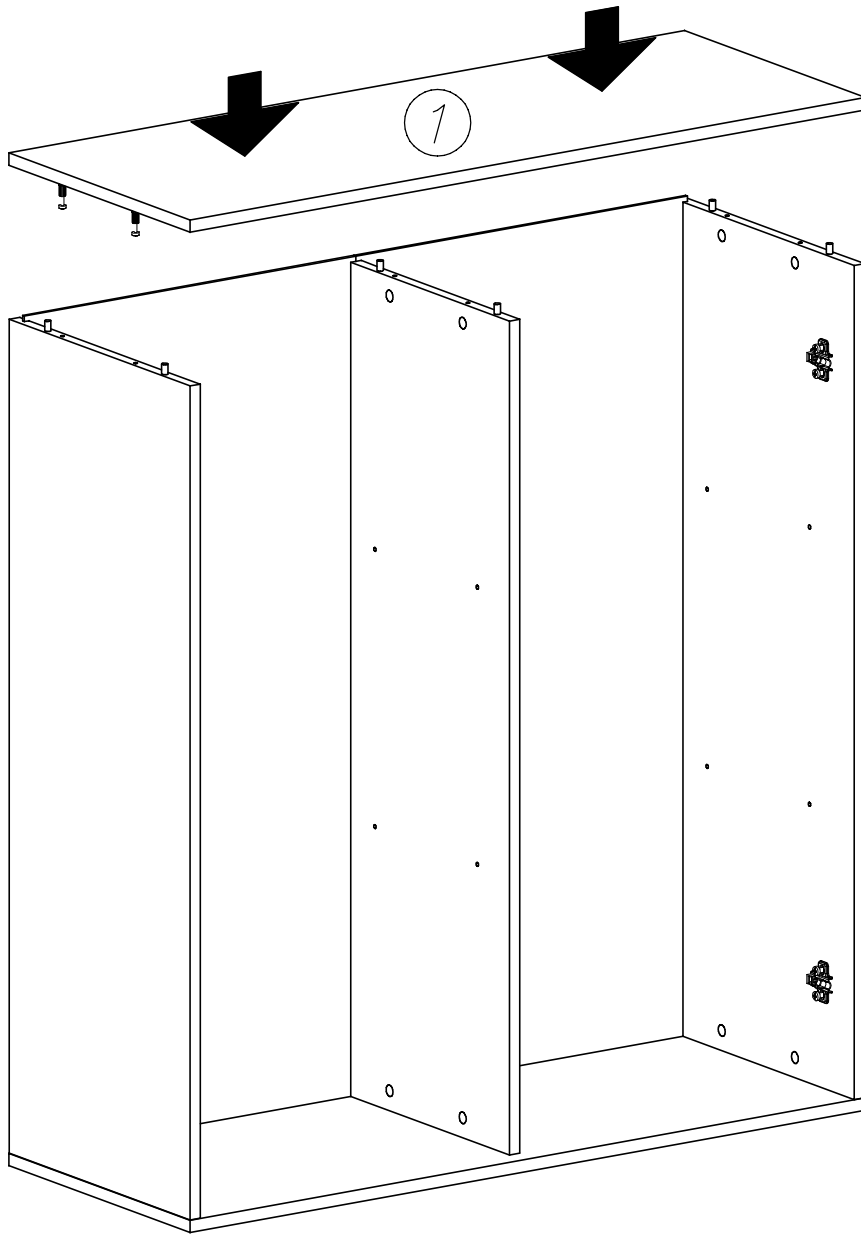


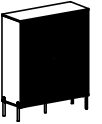
III



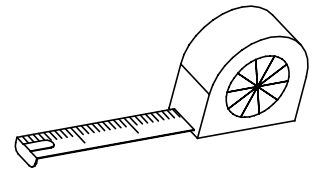
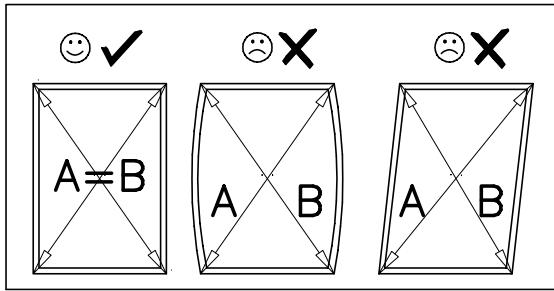


IV

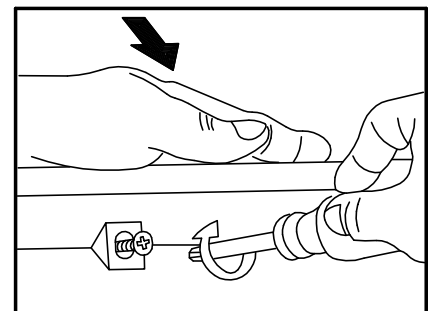
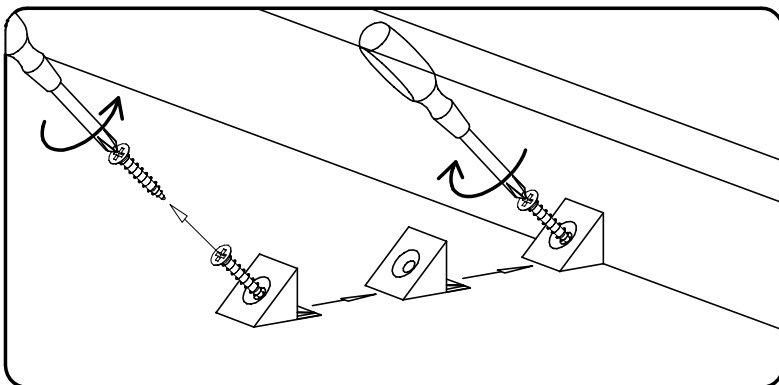
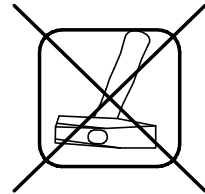
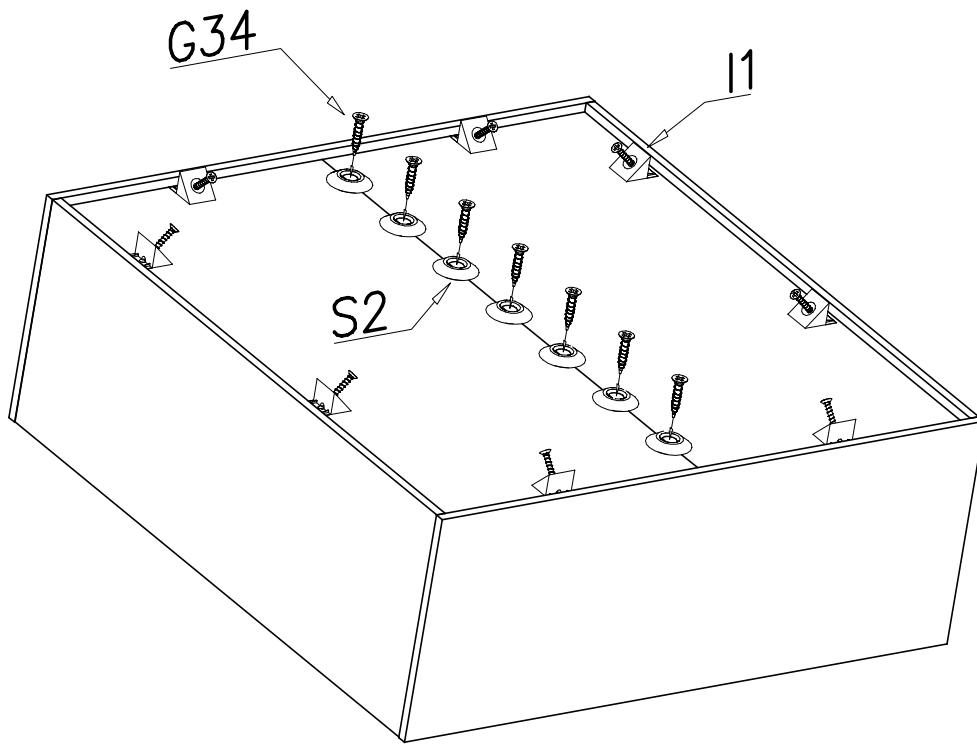


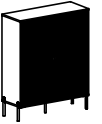


## V

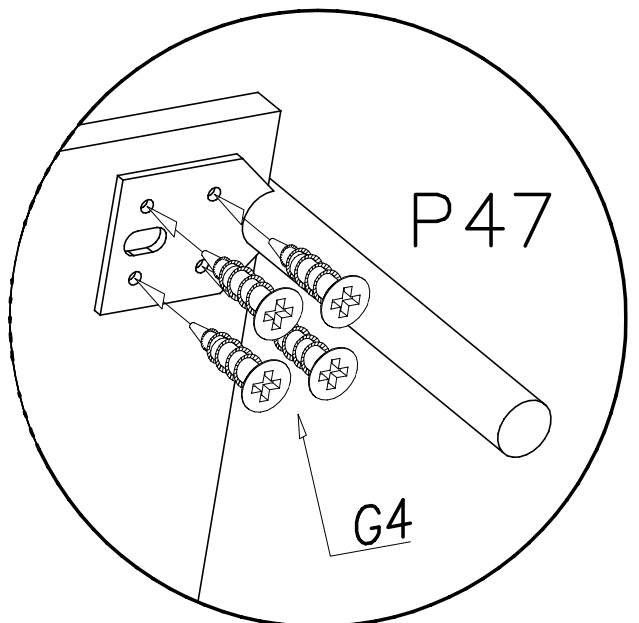
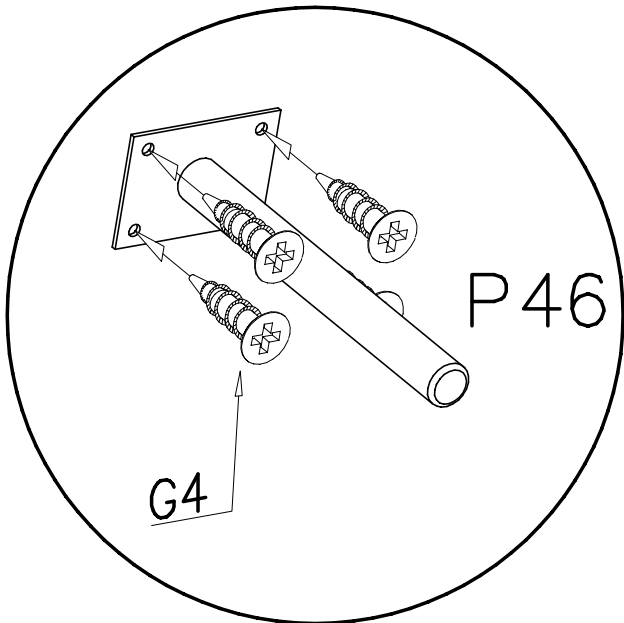
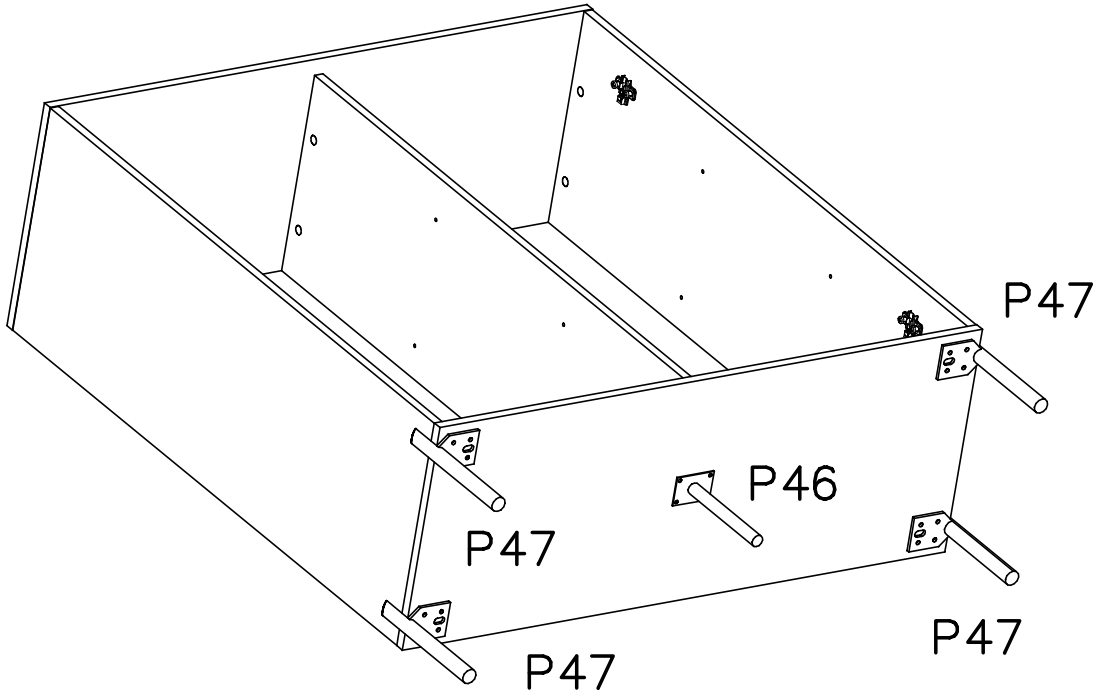
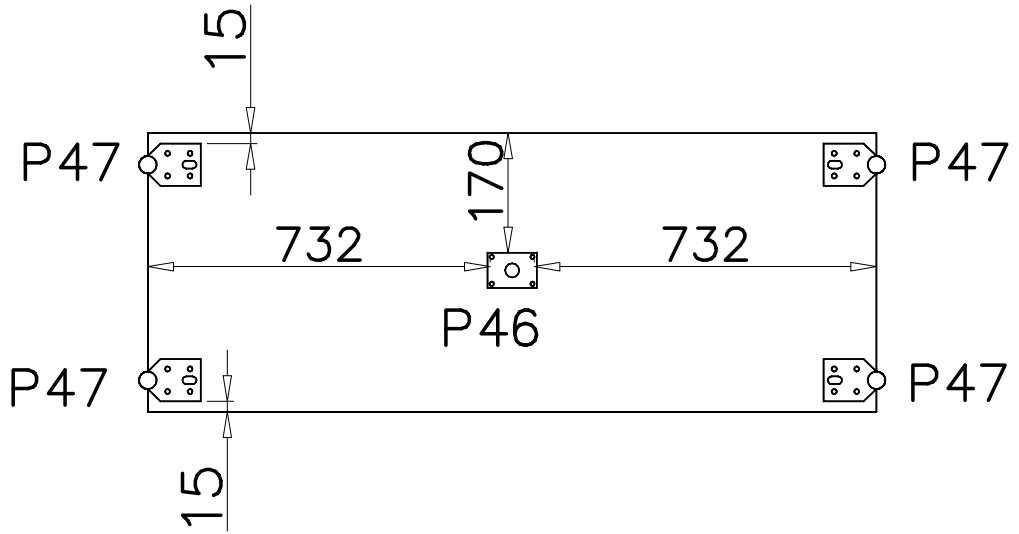


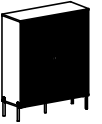
A=B



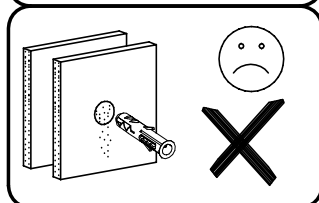
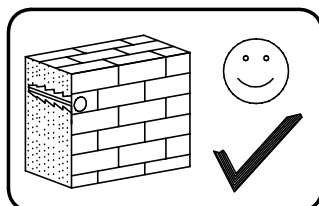
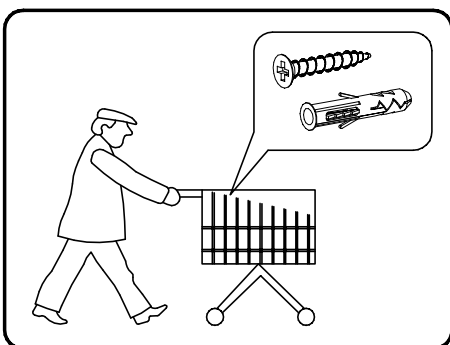
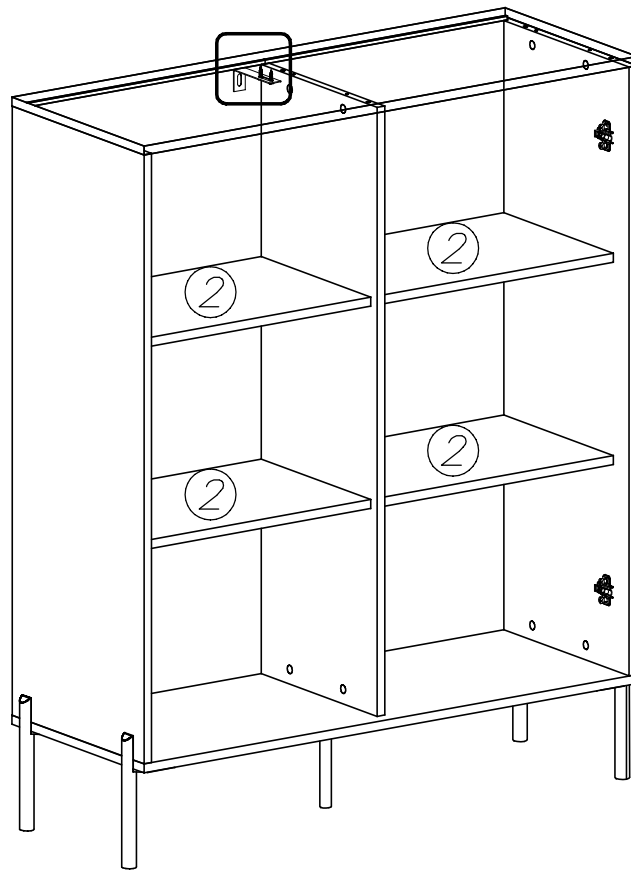
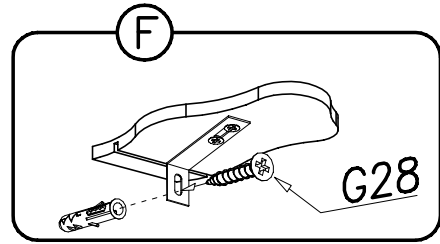
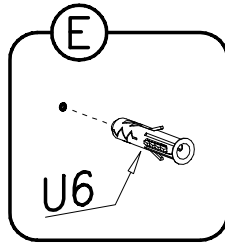
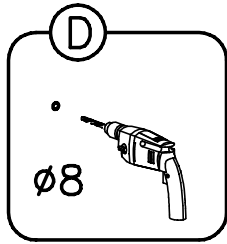
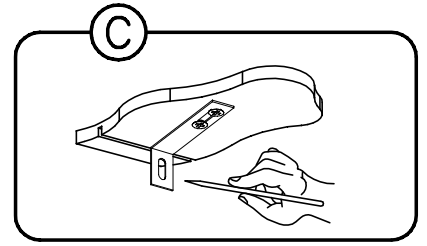
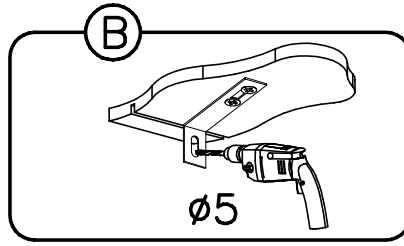
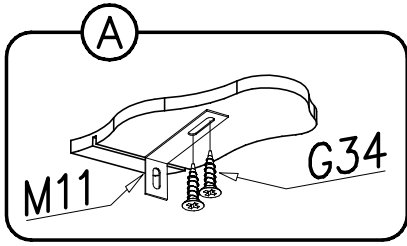


VI

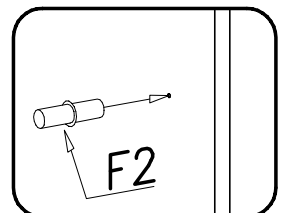




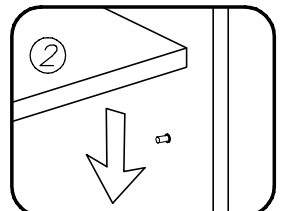
VII



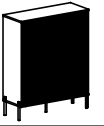
1



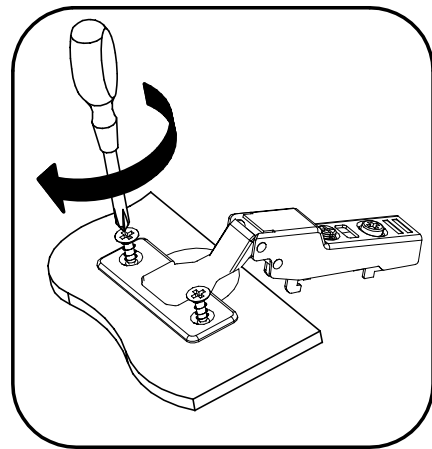
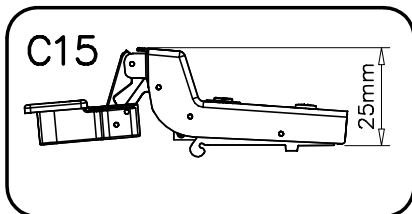
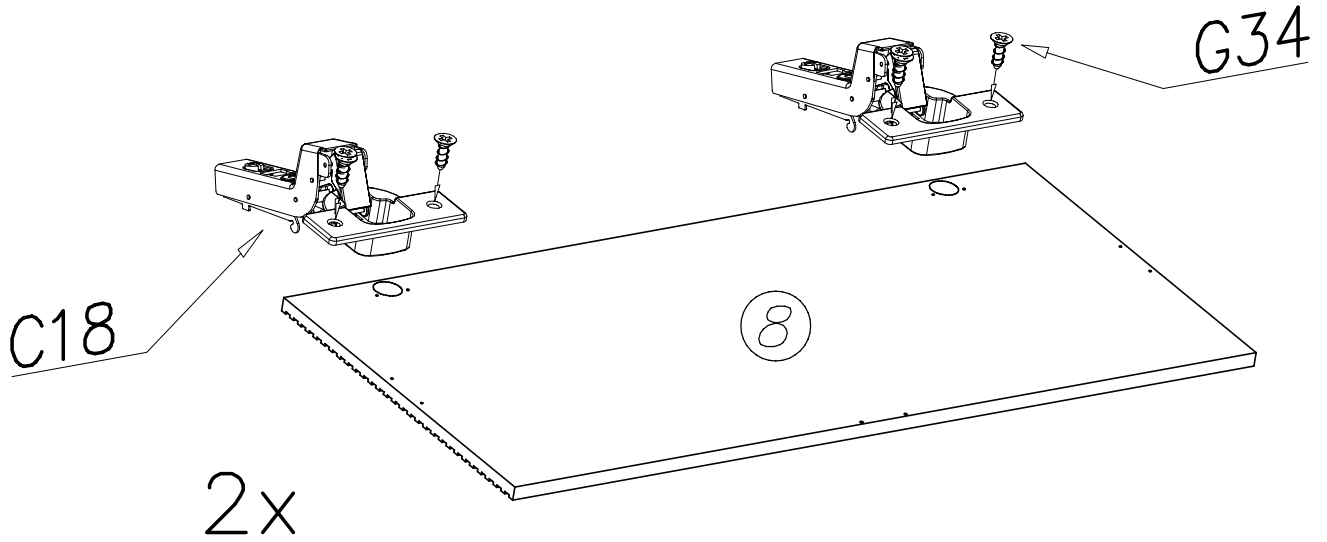
2

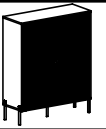




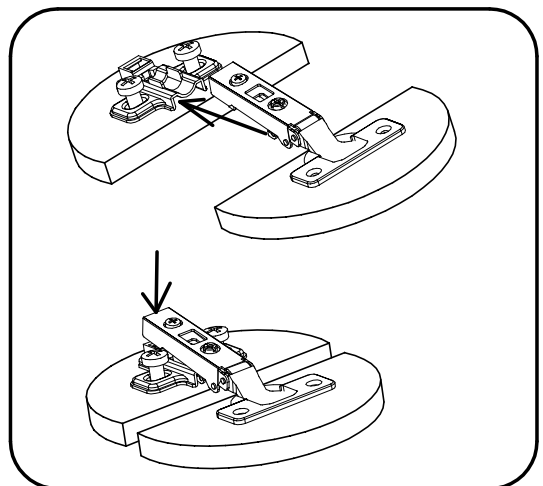
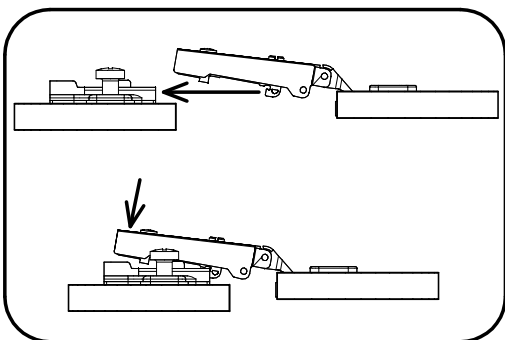
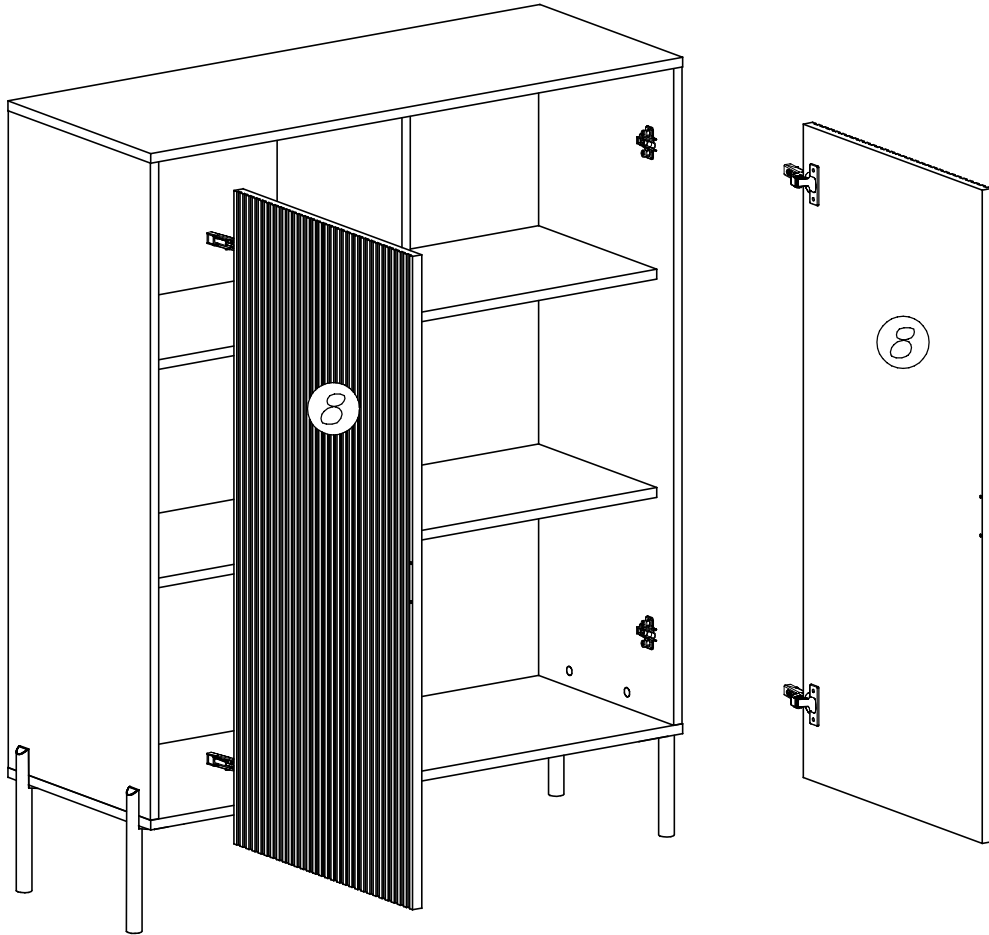


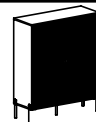
# VIII





IX





X

