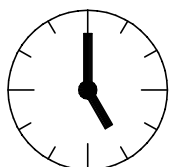
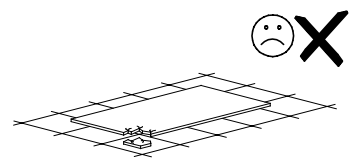
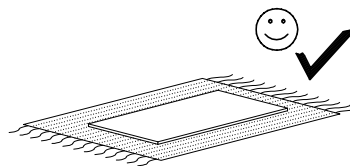
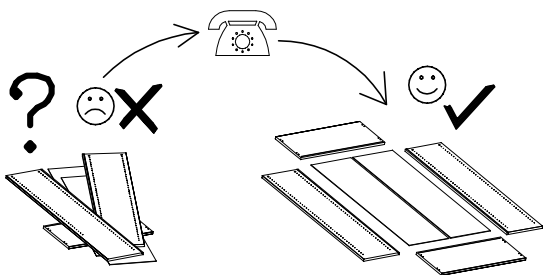
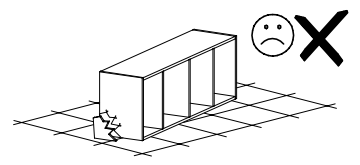
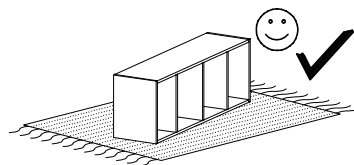
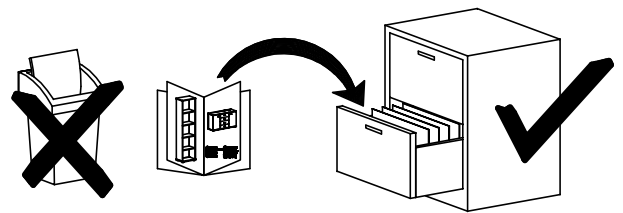
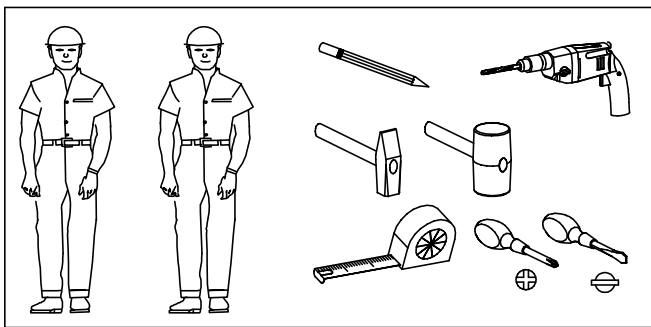
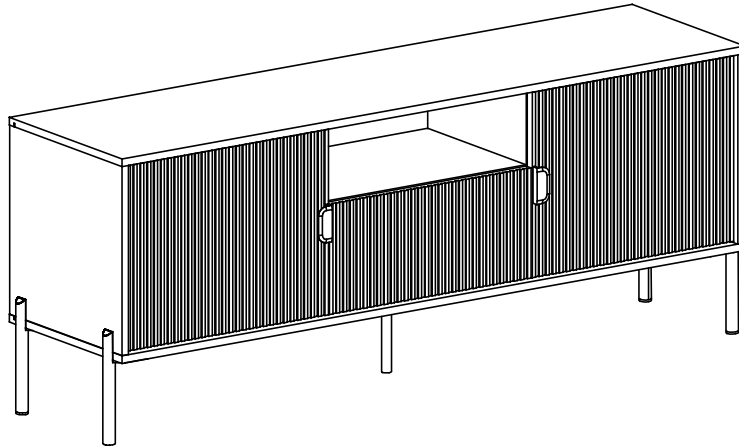
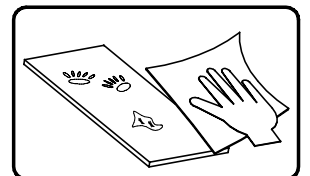
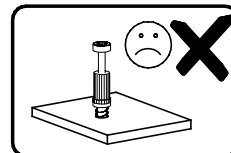
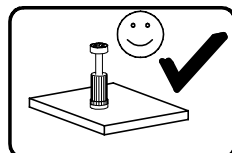
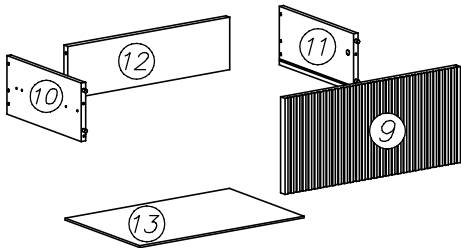
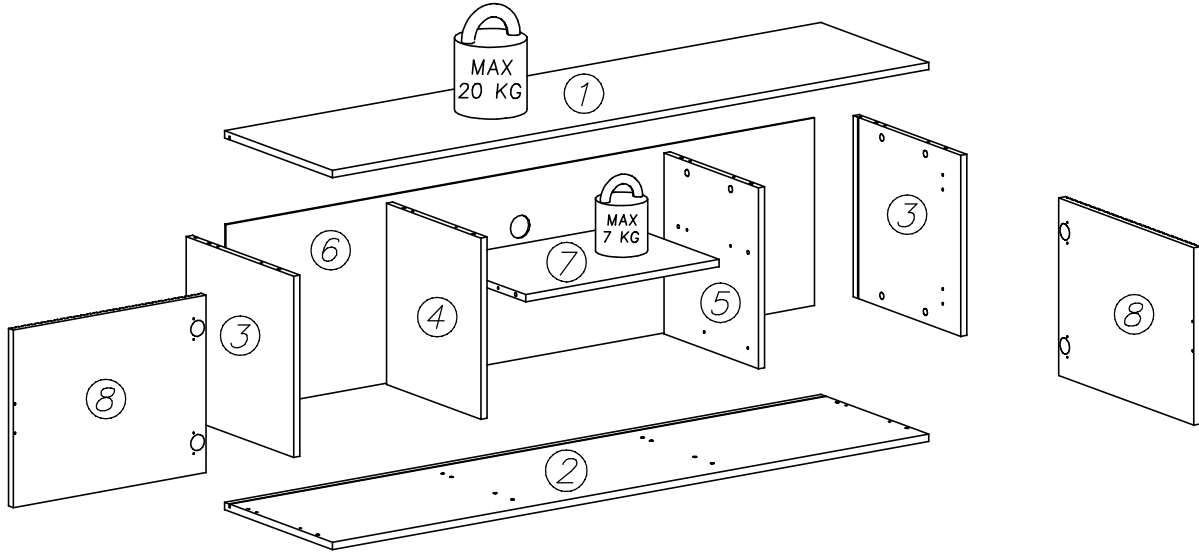
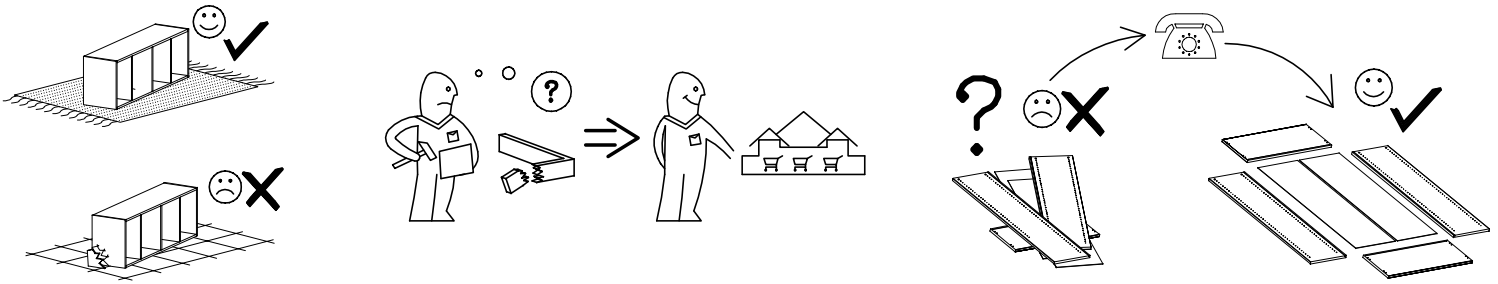


LOTUS – RTV 155



1,5h

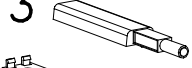
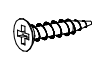


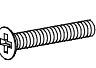
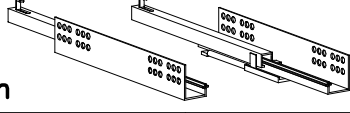




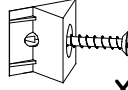
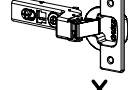




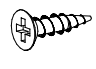
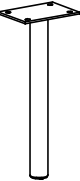

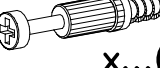

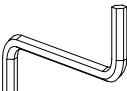


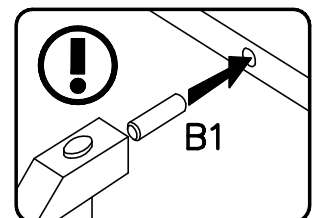
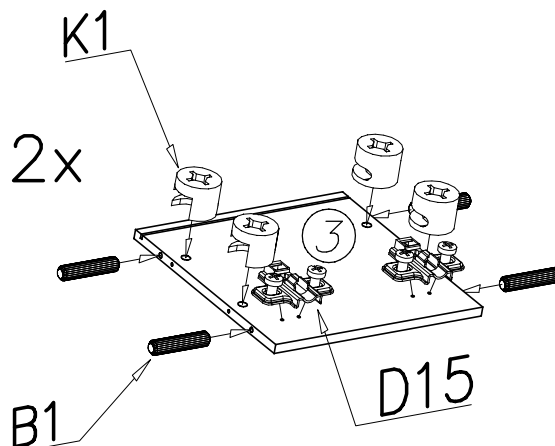
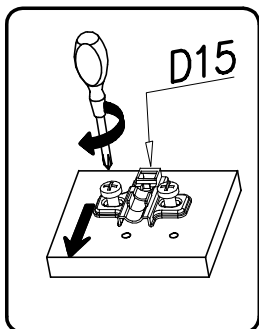
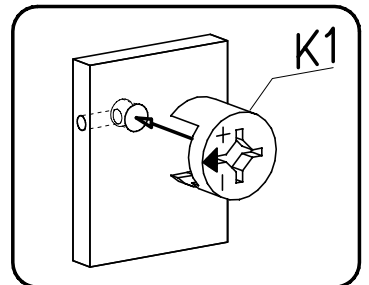
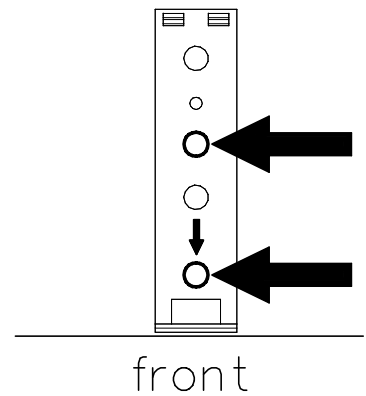
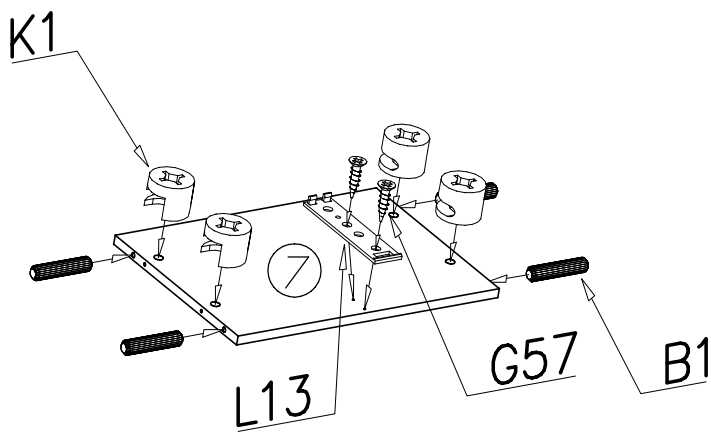
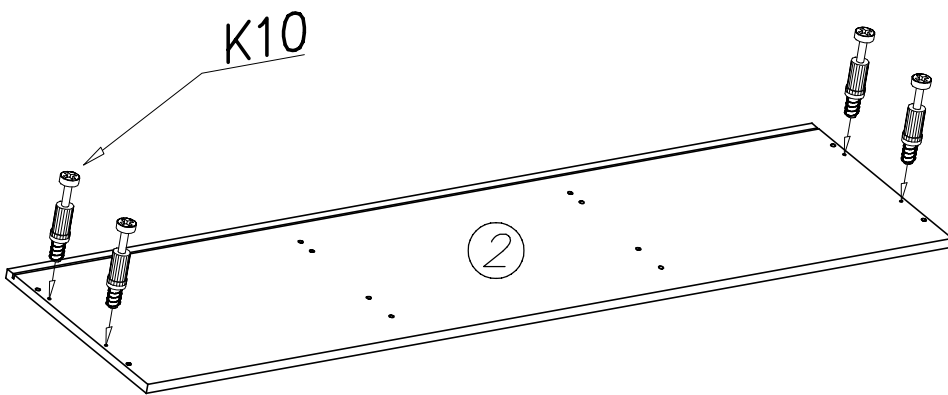
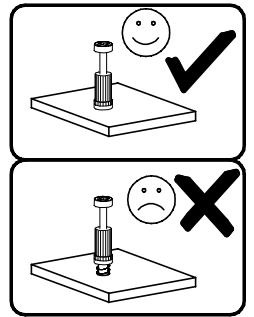
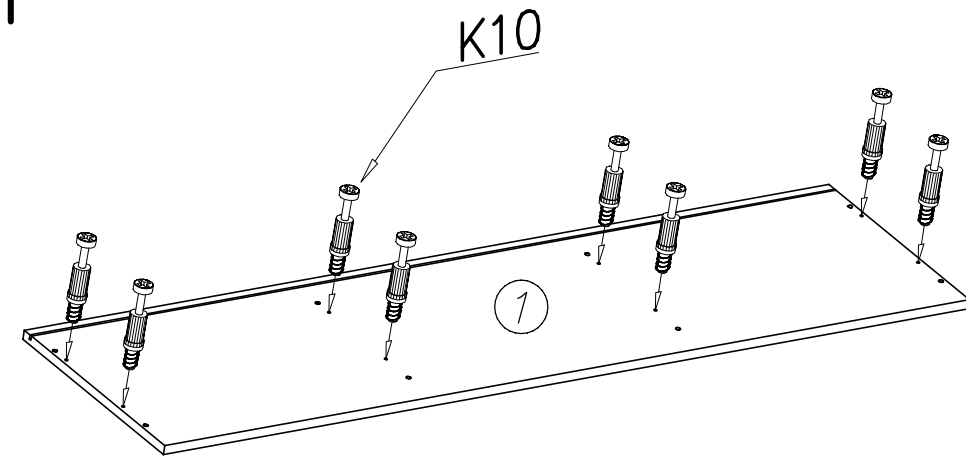
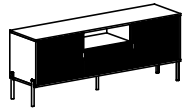


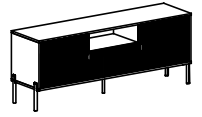
nr	L[mm]	B[mm]	T[mm]	Menge	Colli
1	1534	396	16	1	2/2
2	1534	396	16	1	2/2
3	395	395	16	2	1/2
4	395	347	16	1	1/2
5	395	347	16	1	1/2
6	1512	407	3	1	2/2

nr	L[mm]	B[mm]	T[mm]	Menge	Colli
7	498	346	16	1	1/2
8	387	496	18	2	1/2
9	230	496	18	1	1/2
10	300	140	12	1	1/2
11	300	140	12	1	1/2
12	458	126	16	1	1/2
13	468	306	3	1	1/2
Beschlage					1/2

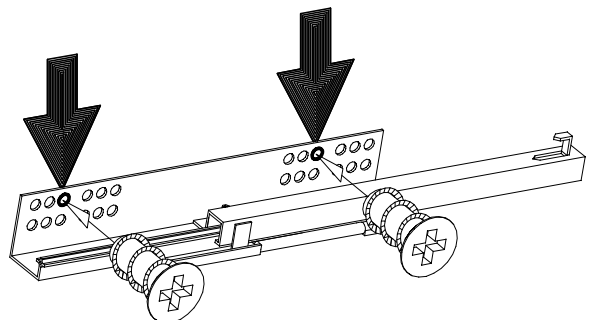
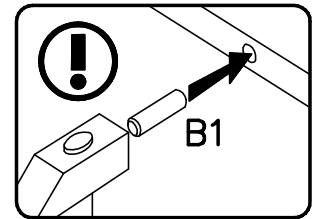
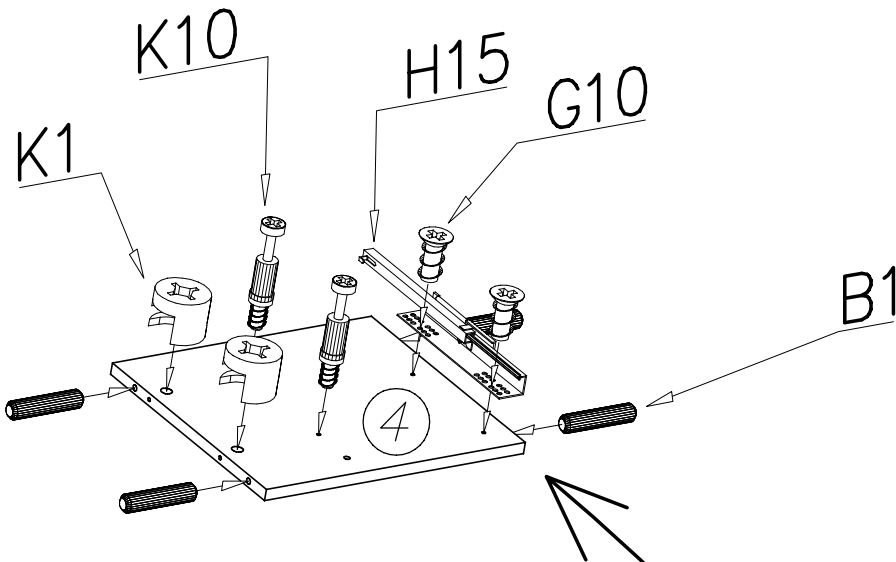
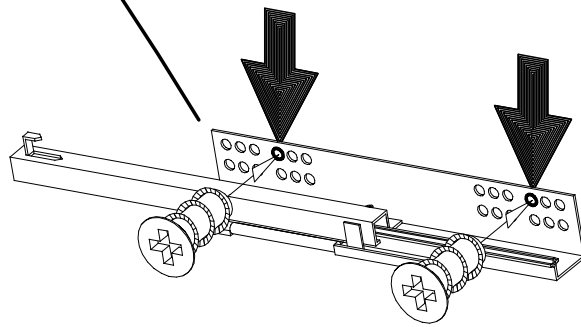
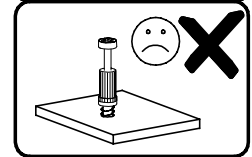
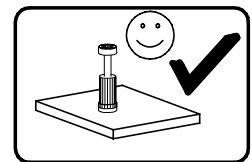
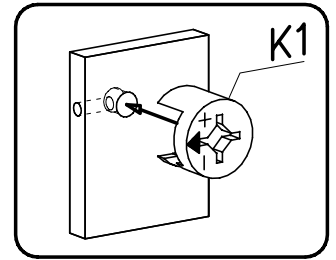
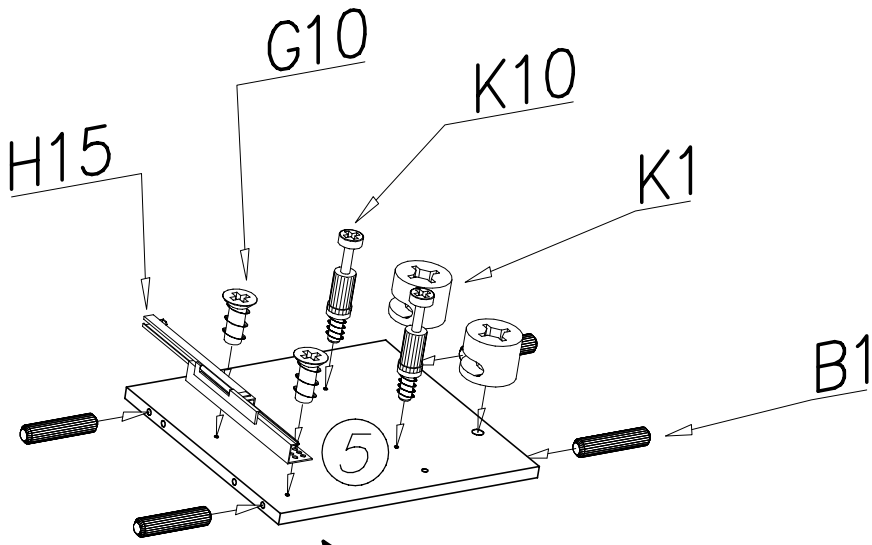


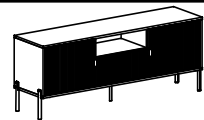
L13  x...(1)	G57  3,5x16 x...(2)	A1  ø7x50 x...(4)	M11  x...(2)	N41  M4x22 x...(4)
H15  300mm x...(1)	G10  6x13 x...(4)	E108  64mm x...(2)	G4  4x16 x...(20)	
I7  ø18 x...(12)	I1  x...(8)	C15  Z35CL x...(4)	D15  PZ35CL x...(4)	K4  ø12x10 x...(2)
K1  ø15x12 x...(12)	A6  ø7x40 x...(4)	G34  3,5x16 x...(26)	P46  x...(1)	P47  x...(4)
K10  x...(14)	B1  ø8x35 x...(20)	W2  x...(1)		



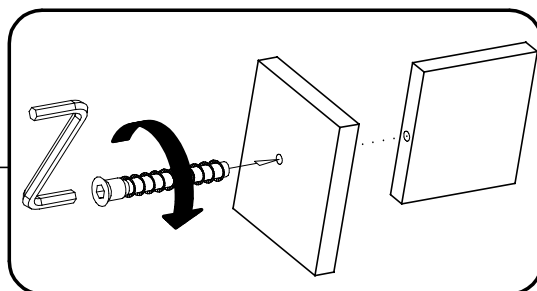
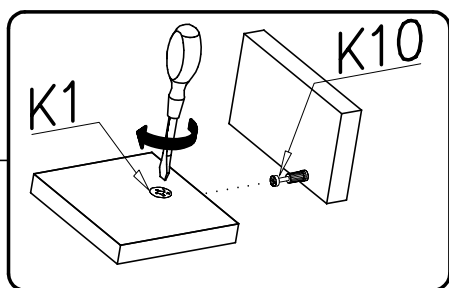
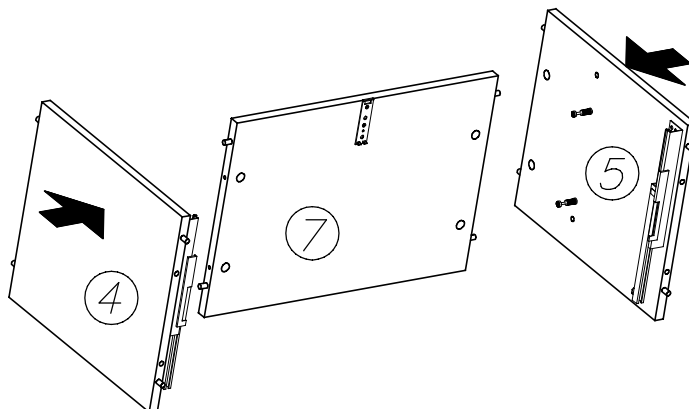


II

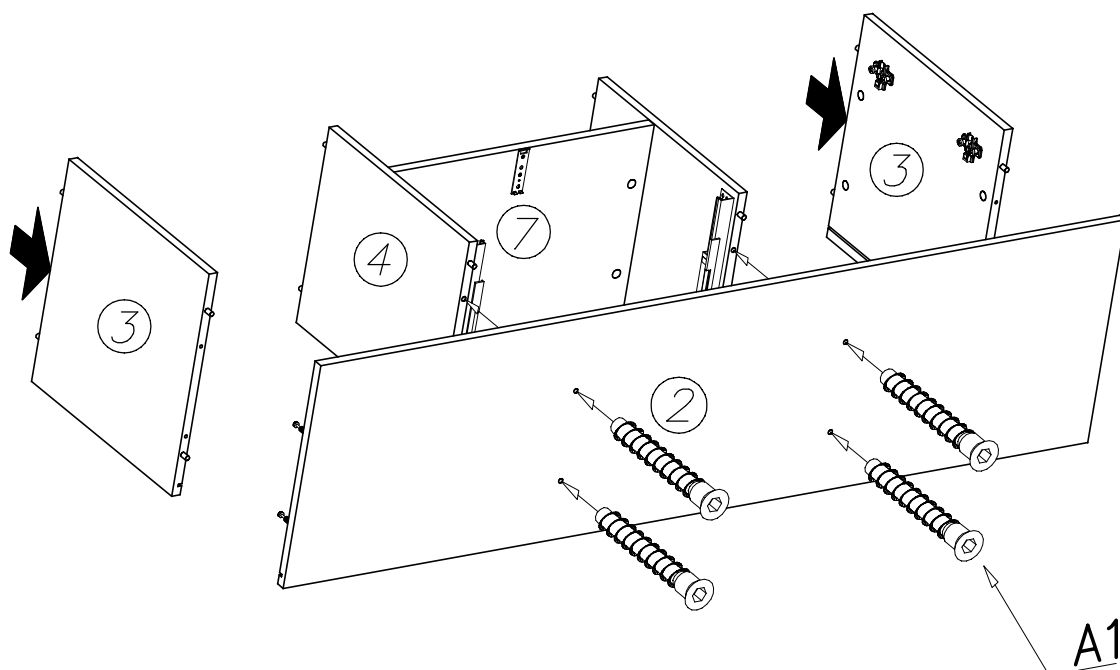


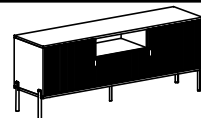


III

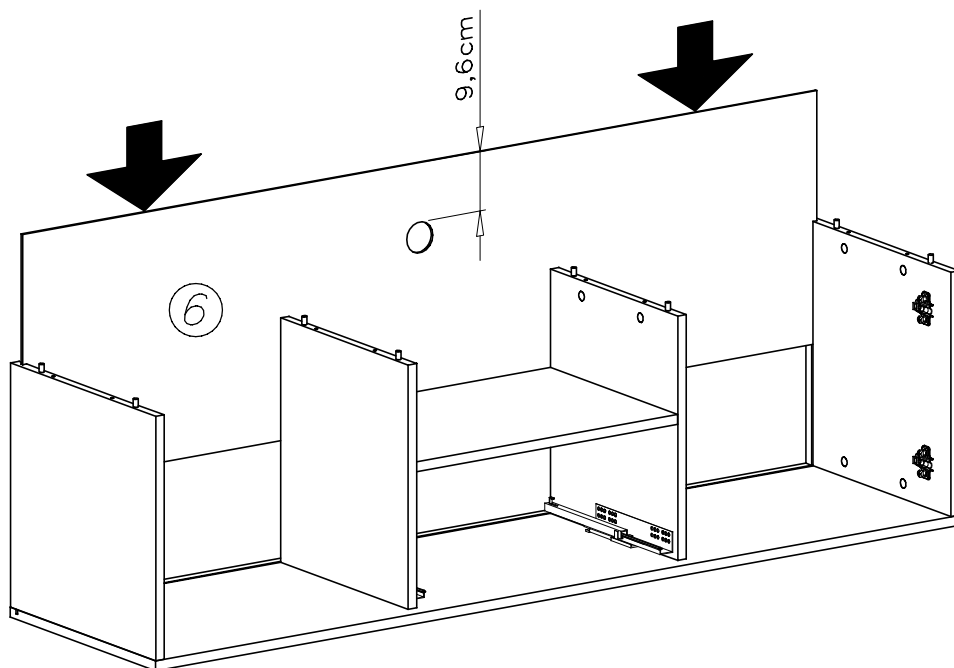


IV

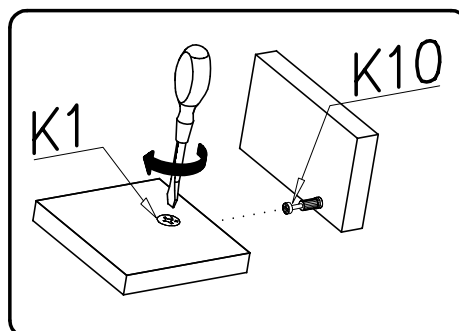
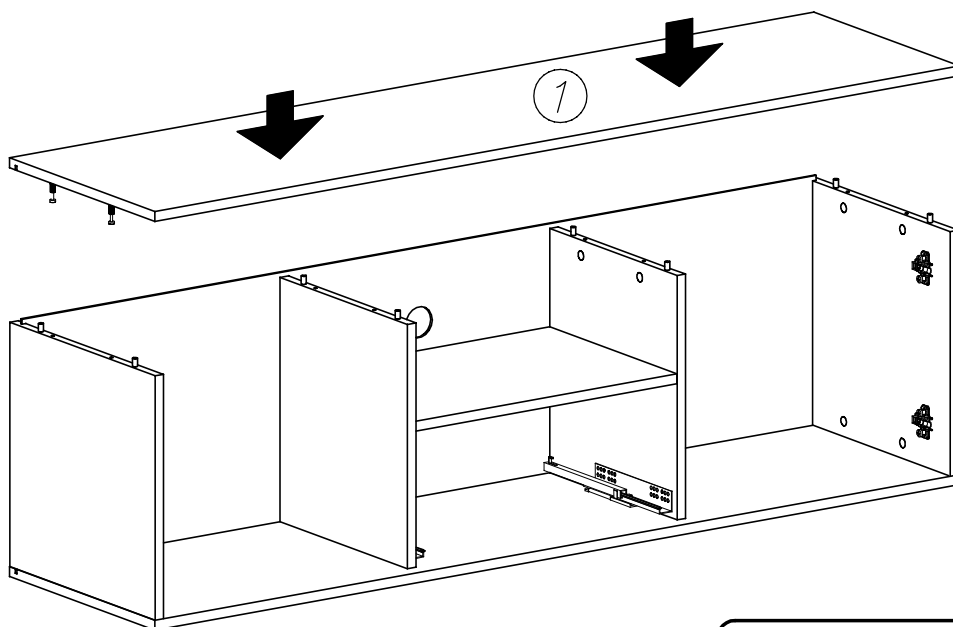


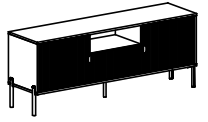


V

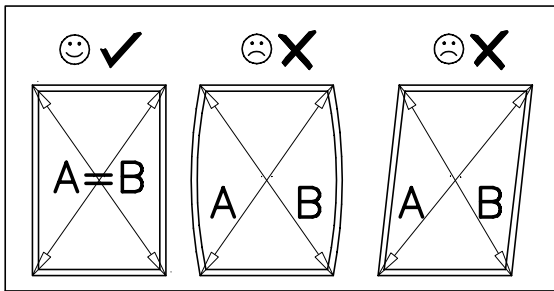
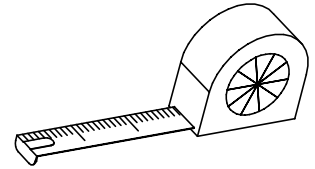
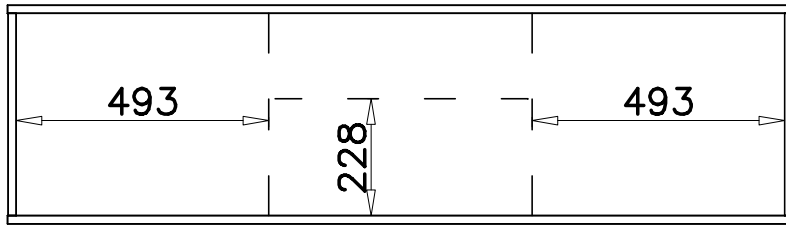


VI

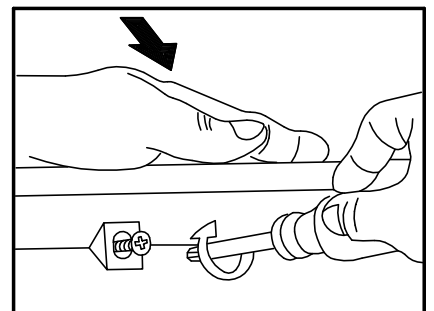
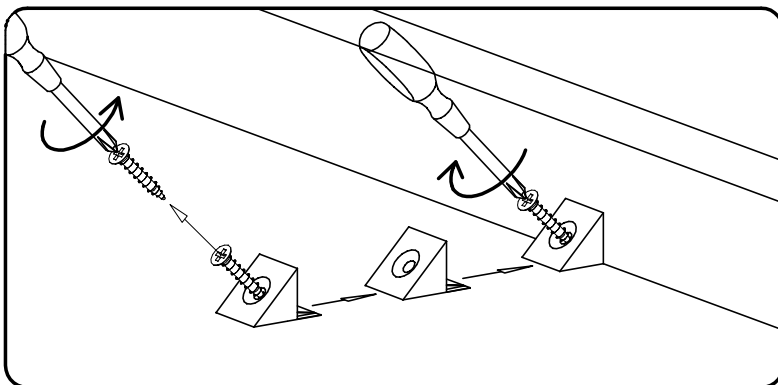
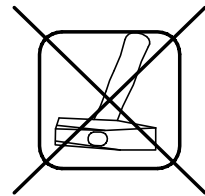
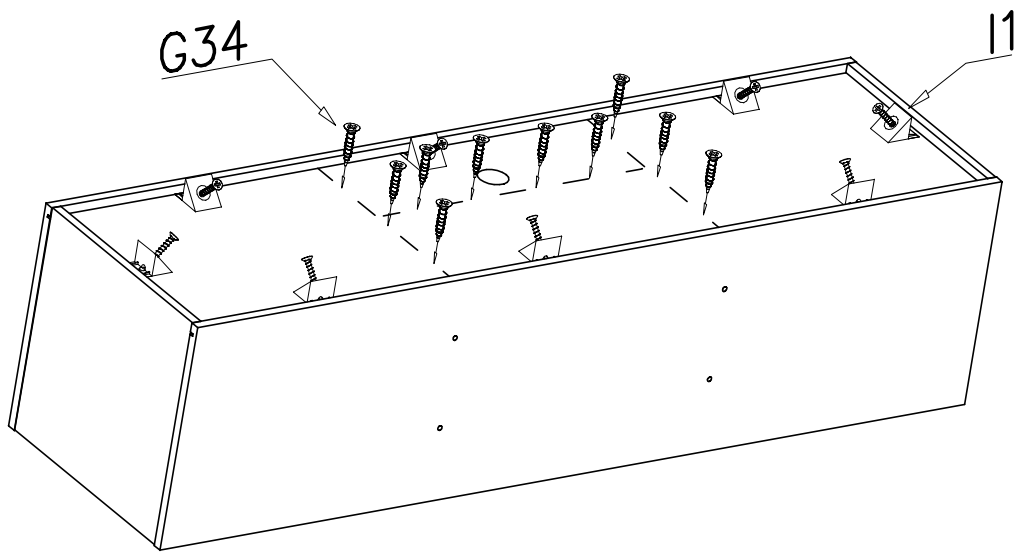


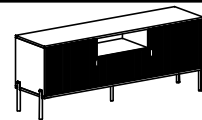


VII

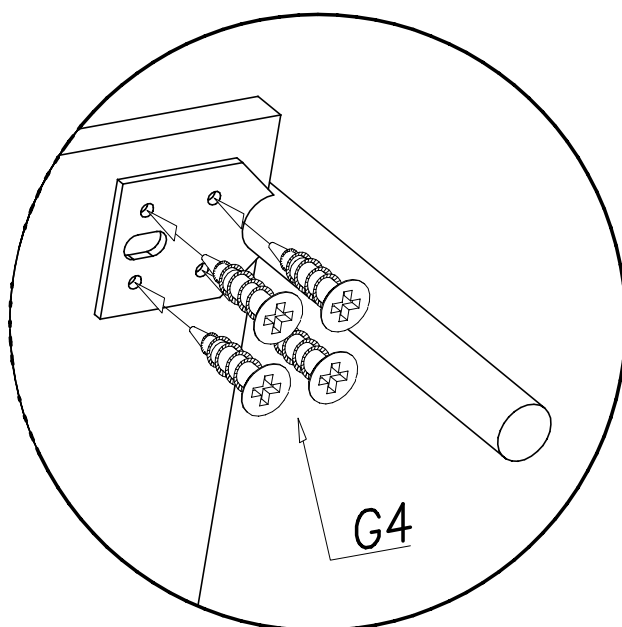
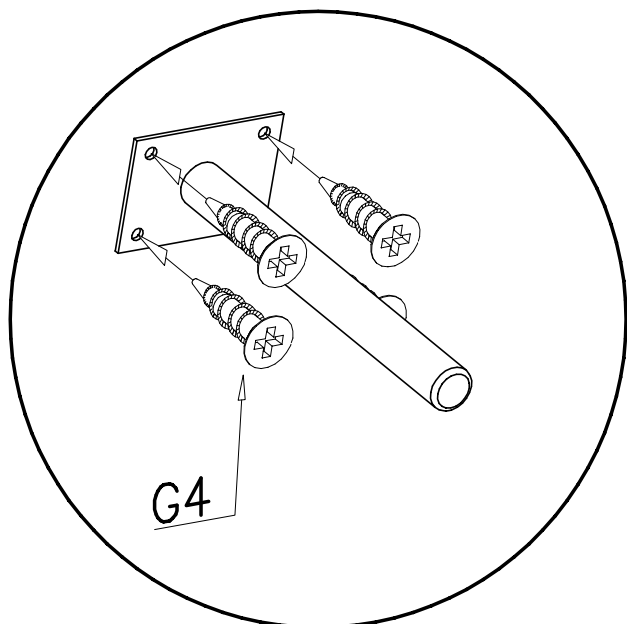
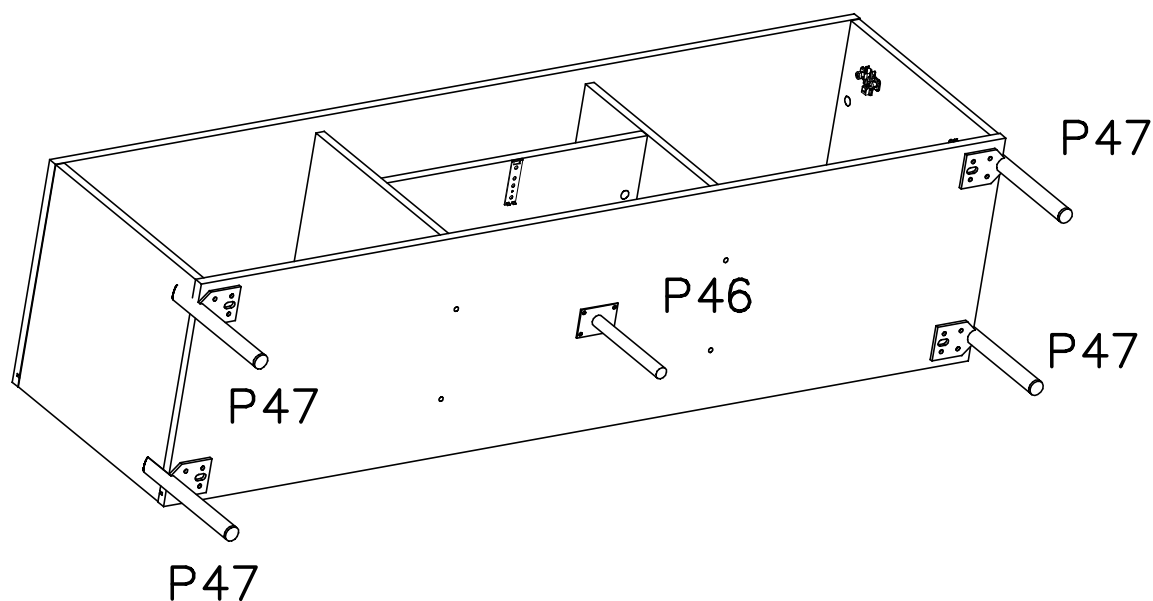
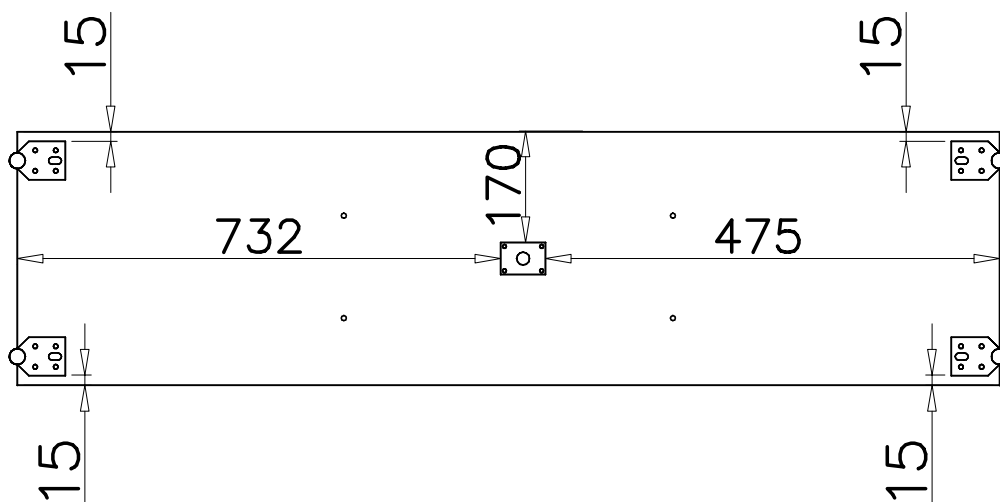


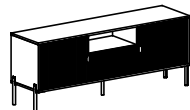
$A = B$



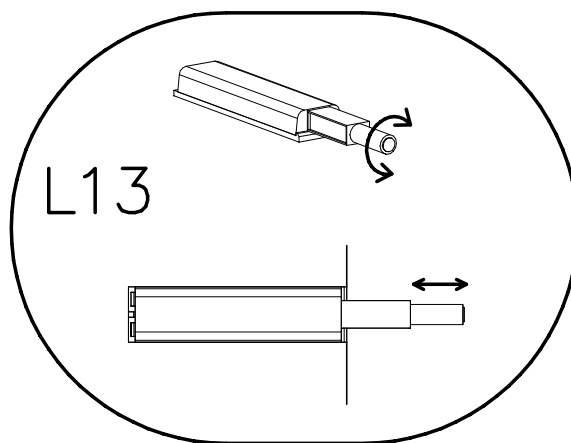
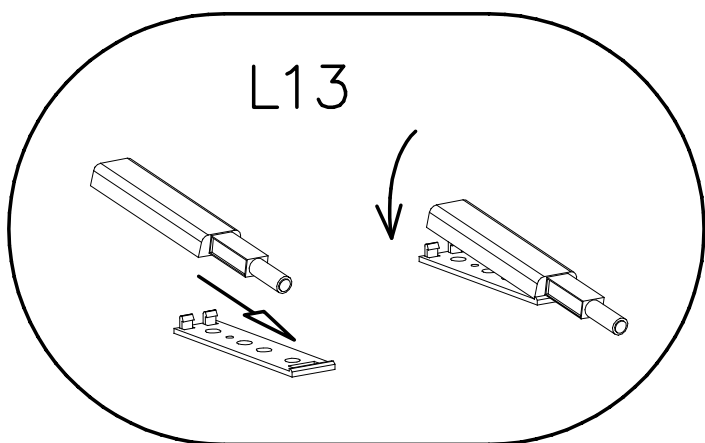
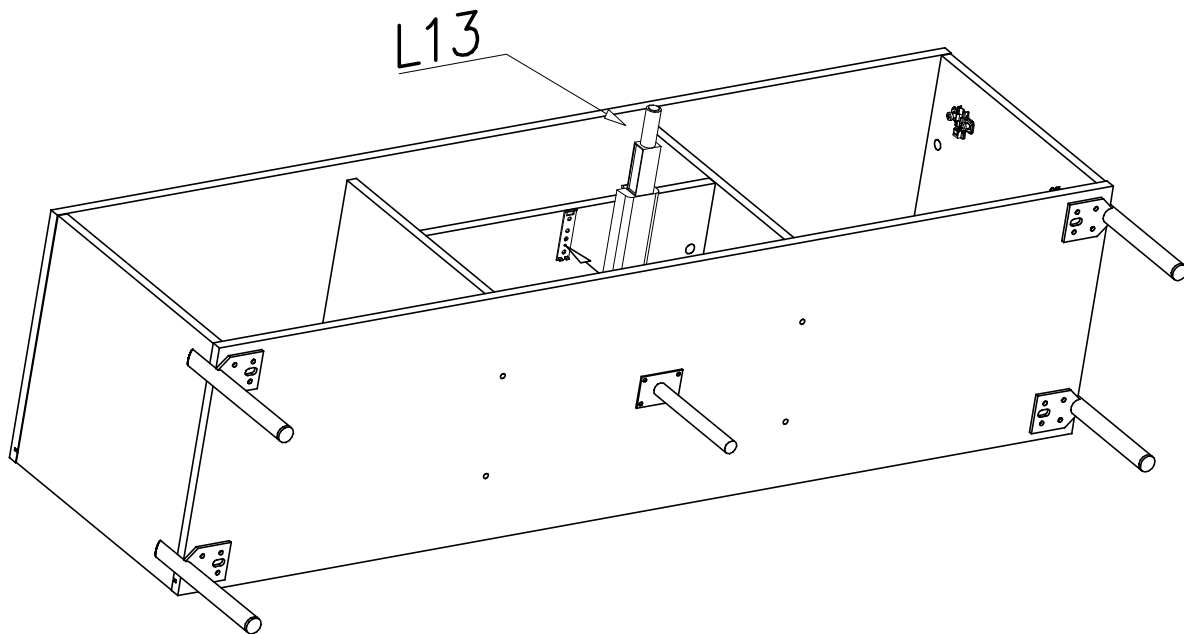


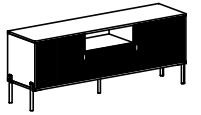
VIII



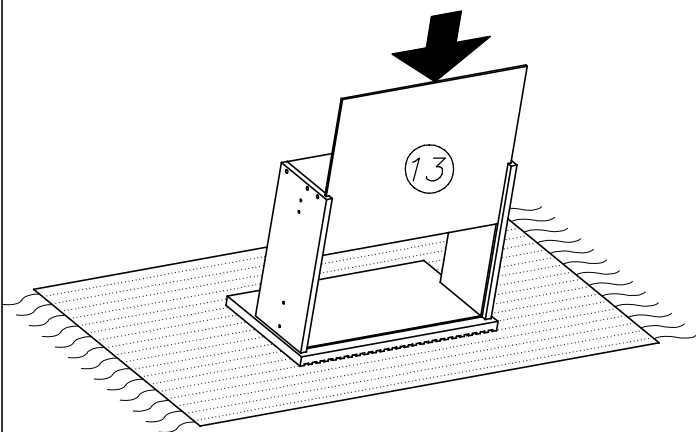
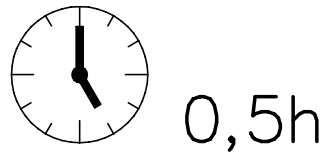
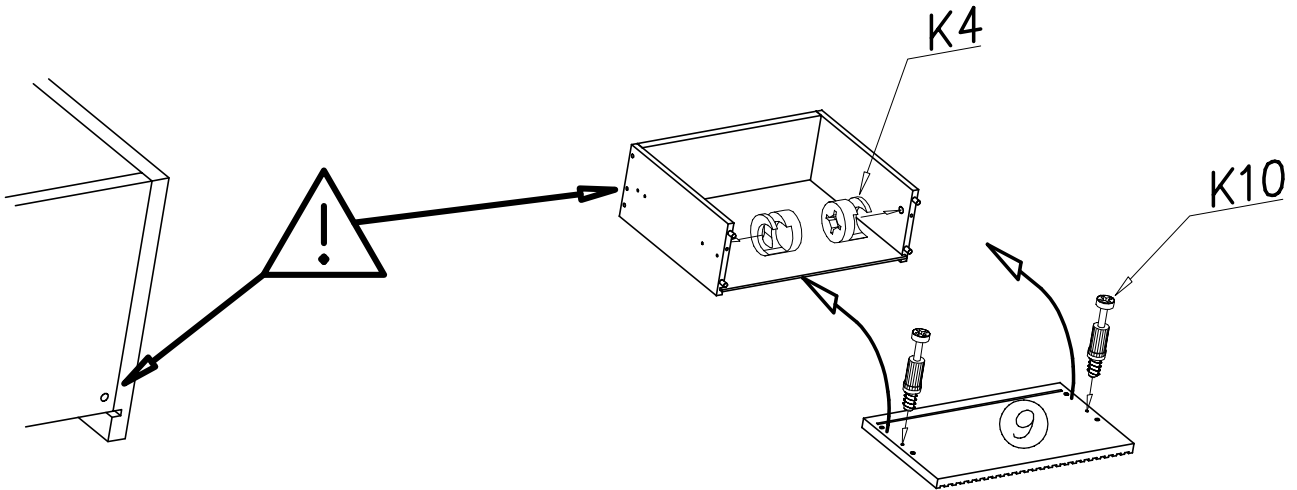
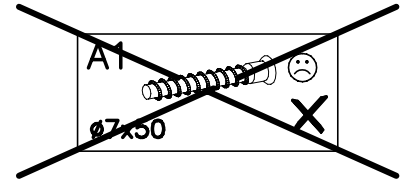
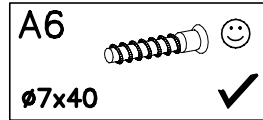
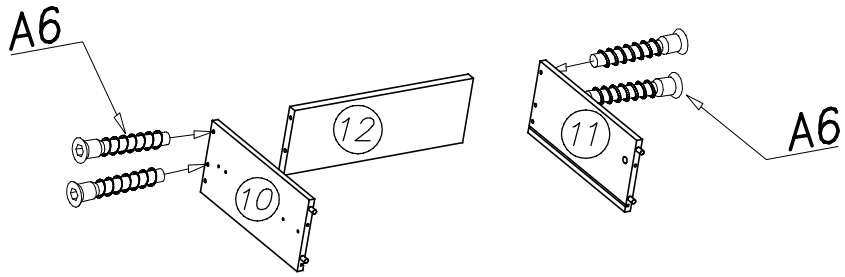


IX

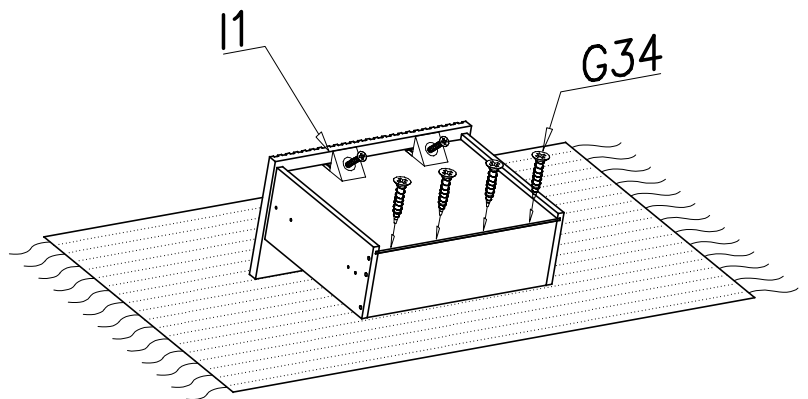
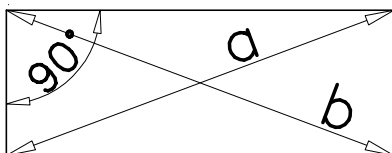


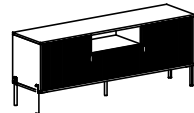


X

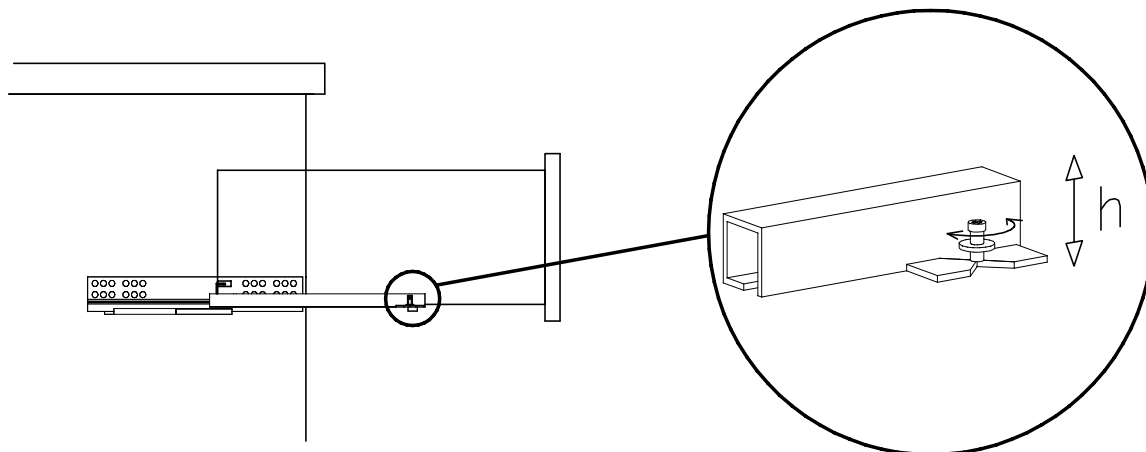
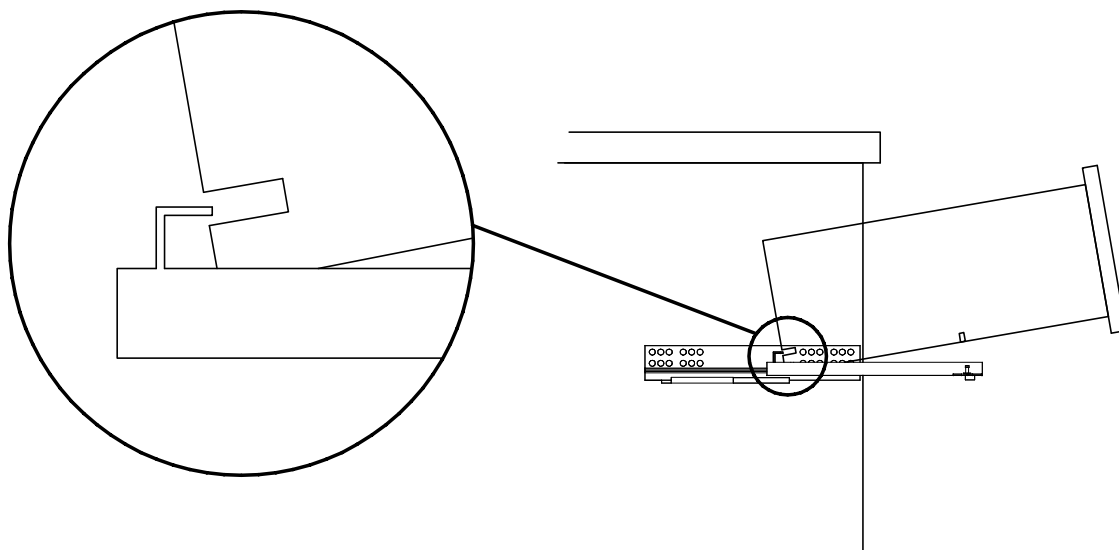
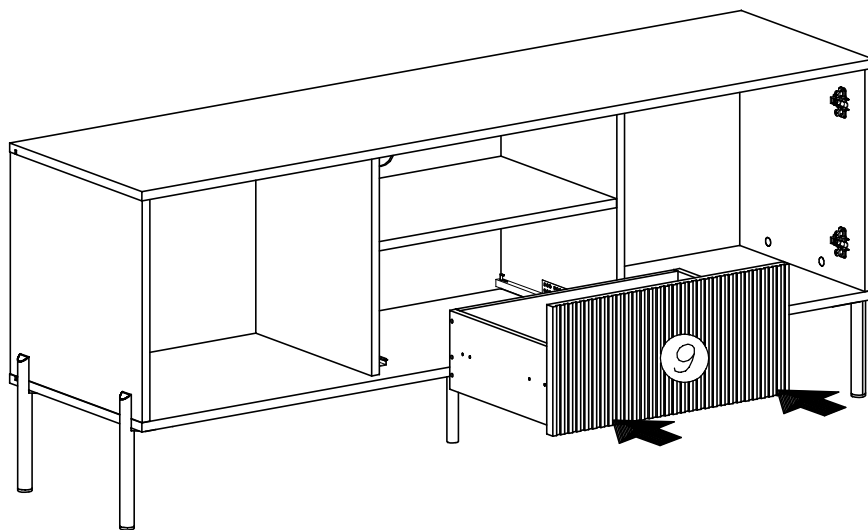


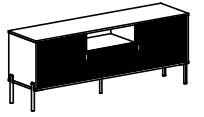
$a=b$



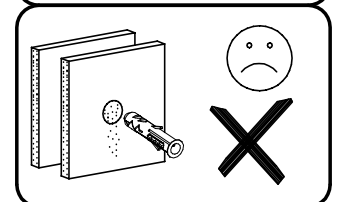
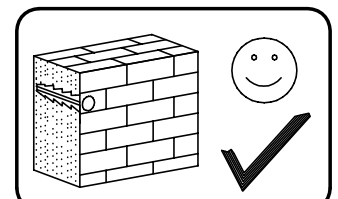
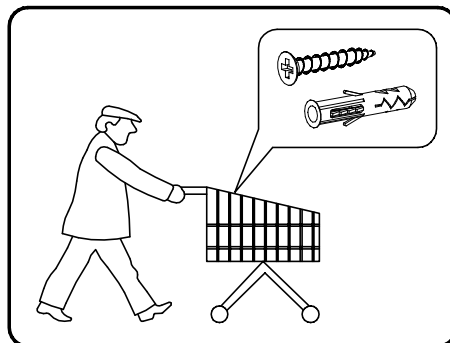
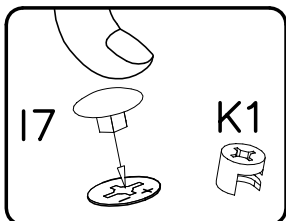
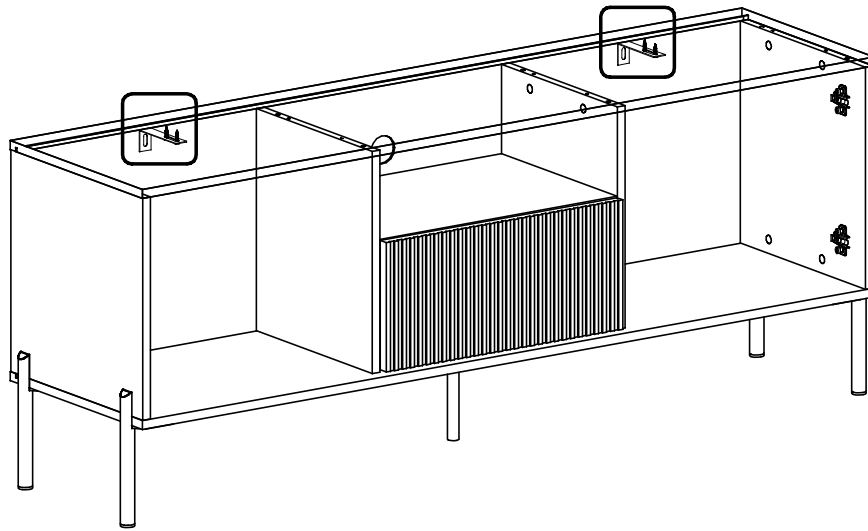
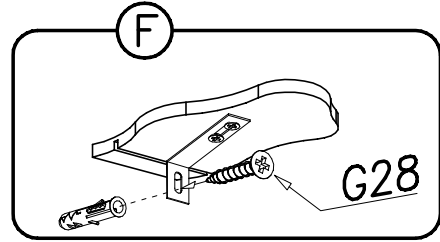
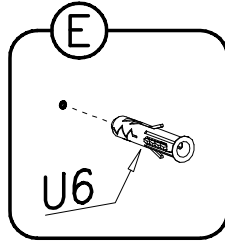
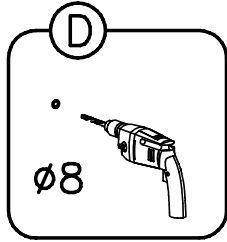
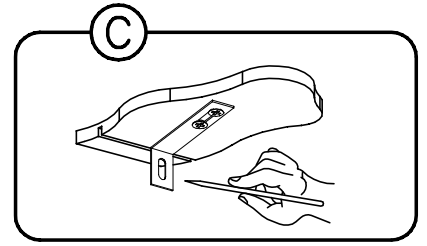
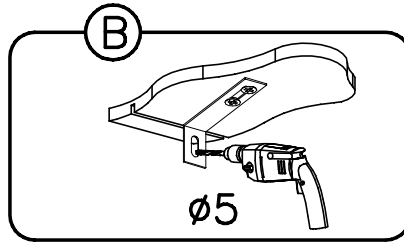
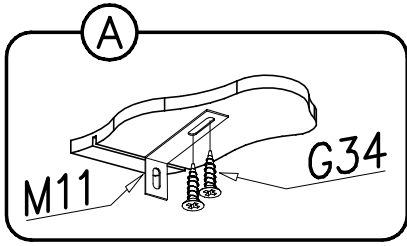


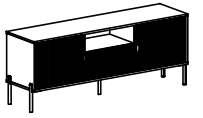
XI



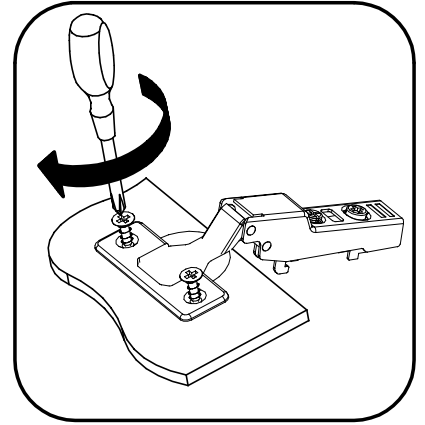
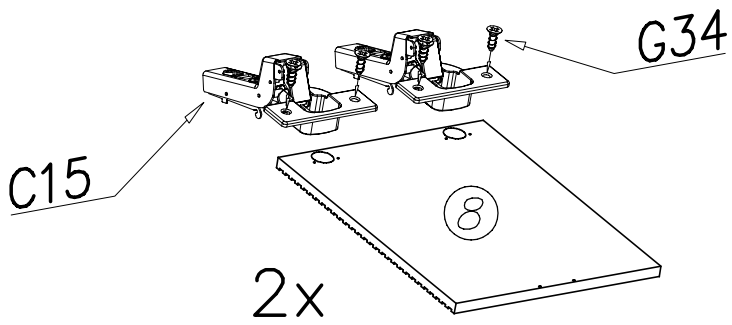


XII

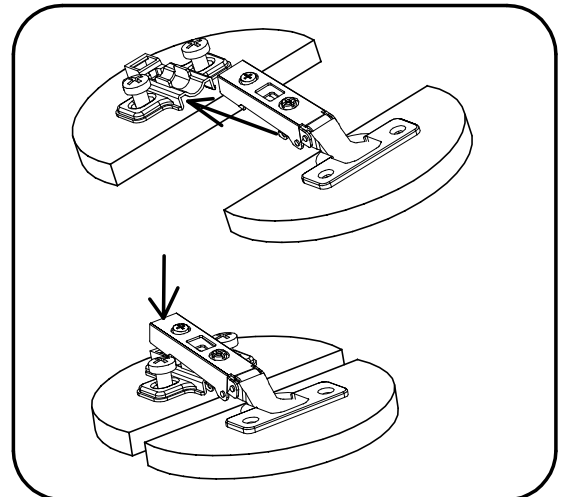
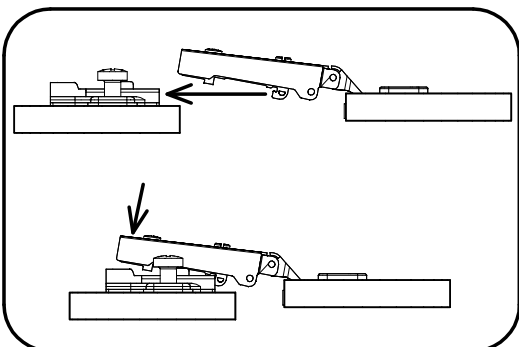
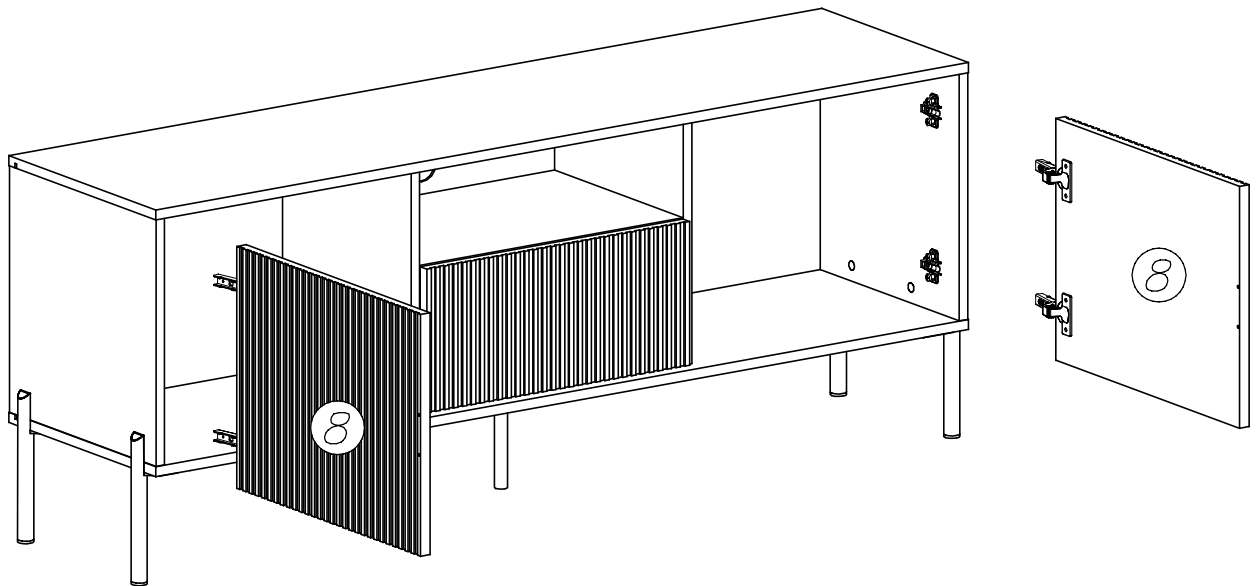


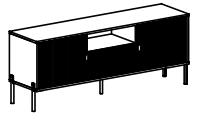


XIII



XIV





XV

