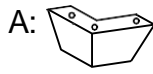


DUKA

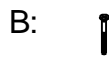
# ASSEMBLY INSTRUCTION

Thank you for purchasing this quality product. Be sure to check all packing material carefully for small parts that may have come loose inside the carton during shipment.

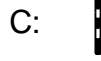
## PART LIST:



Feet 4PCS



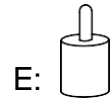
Screw 12PCS



Connection Apparatus 6PCS

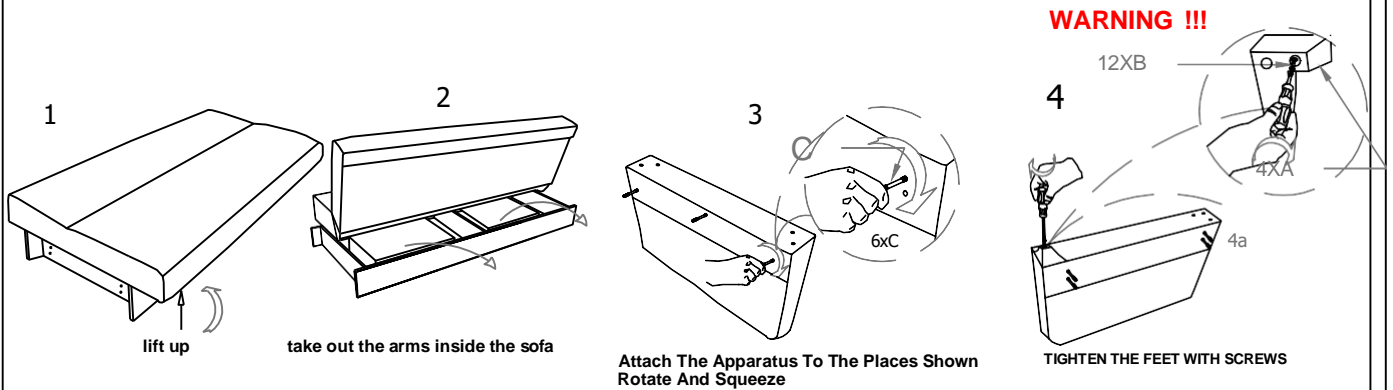


Crimping Apparatus 6PCS

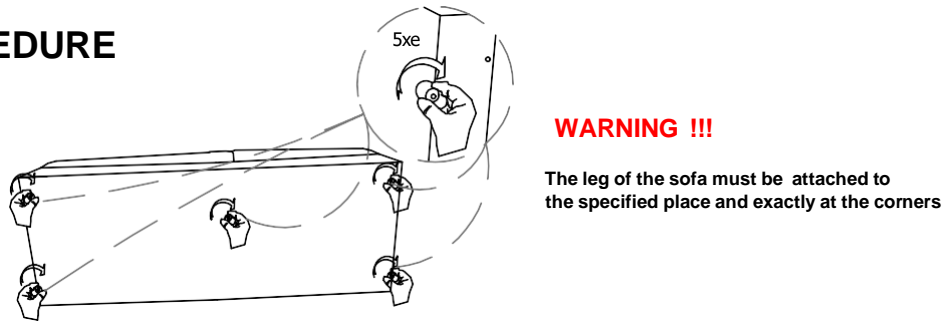


Hidden Feet 5PCS

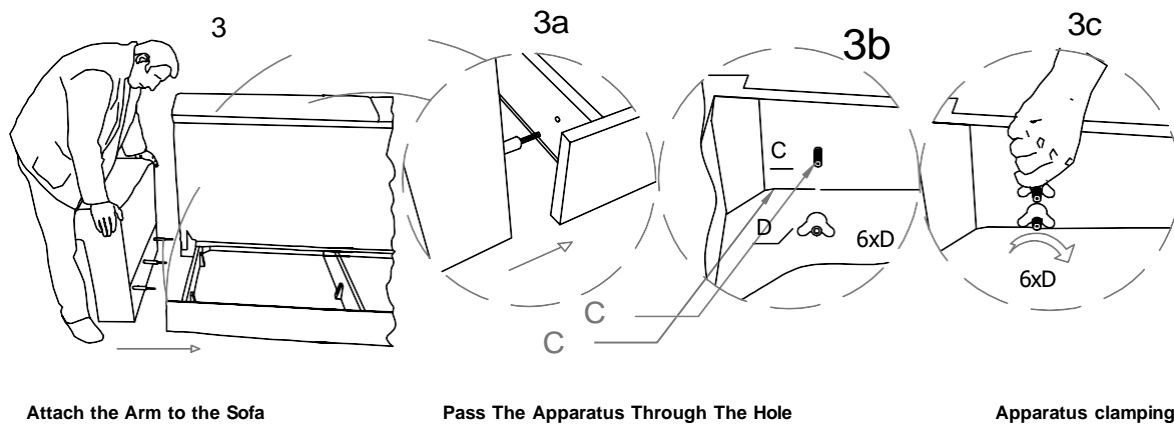
## 1. PROCEDURE



## 2. PROCEDURE



## 3. PROCEDURE



## 4. PROCEDURE

SEAT READY TO USE

