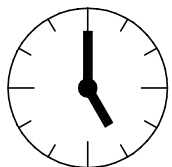
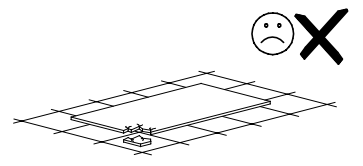
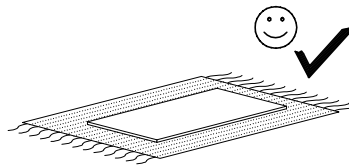
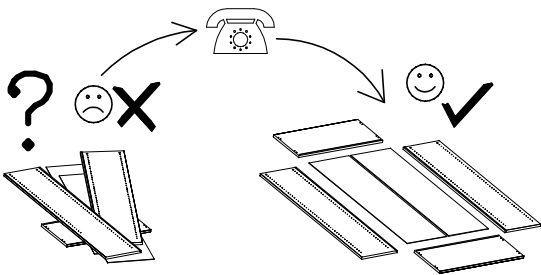
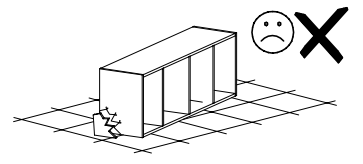
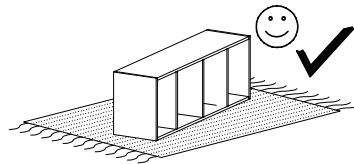
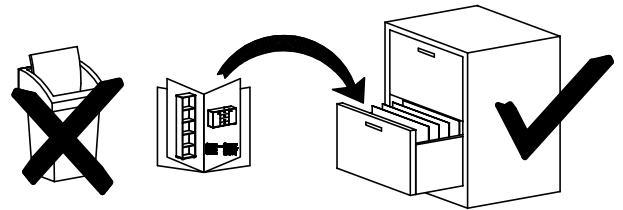
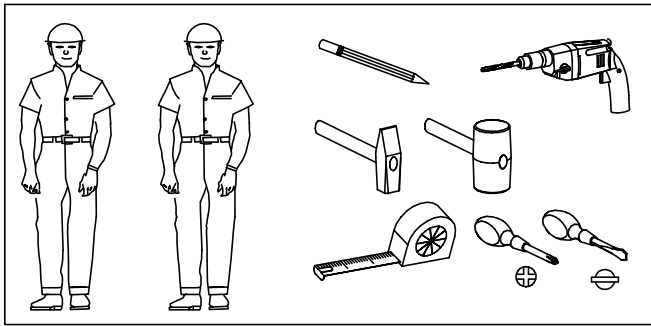
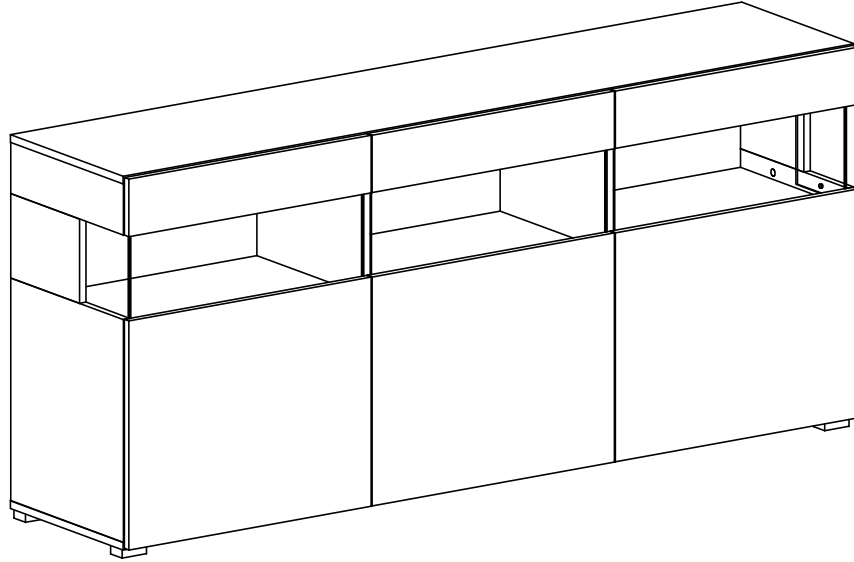
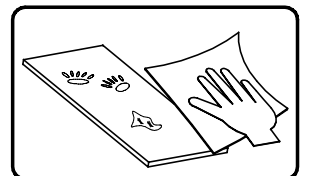
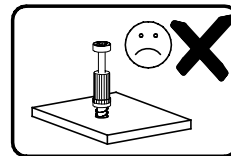
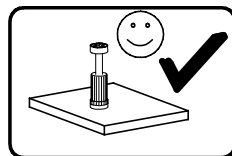
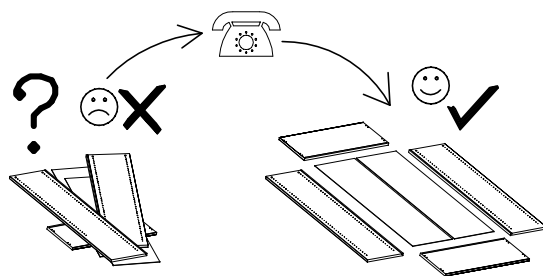
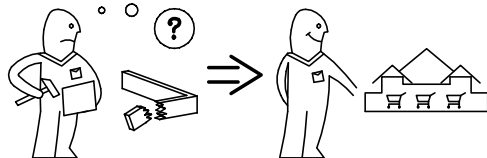
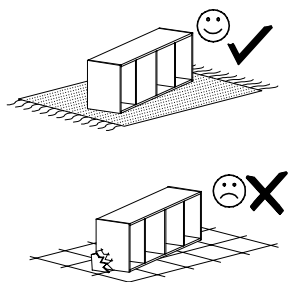


ULYSSE



1,5h


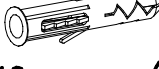

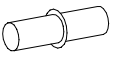
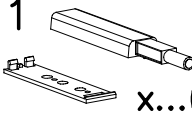


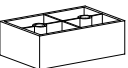



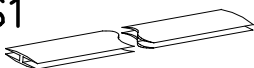
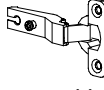
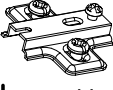

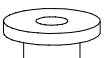

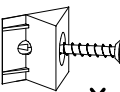

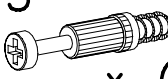

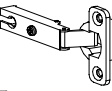
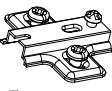



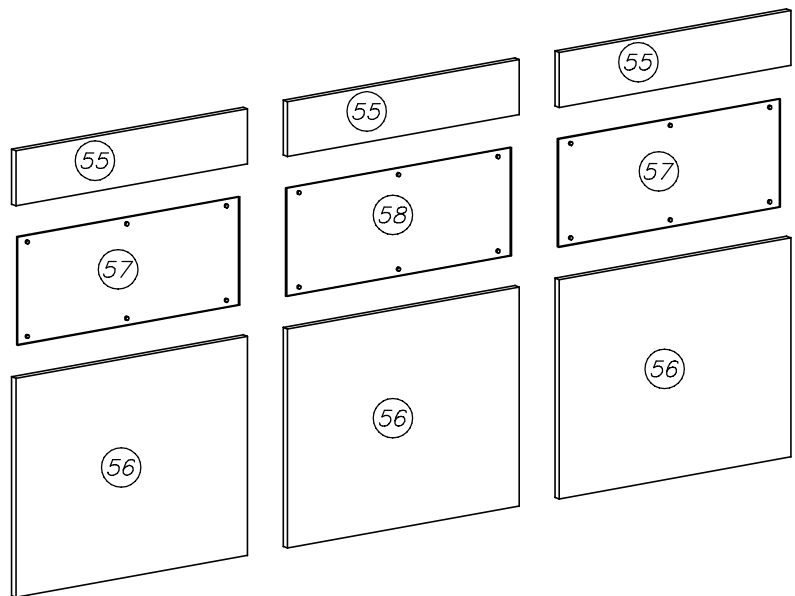
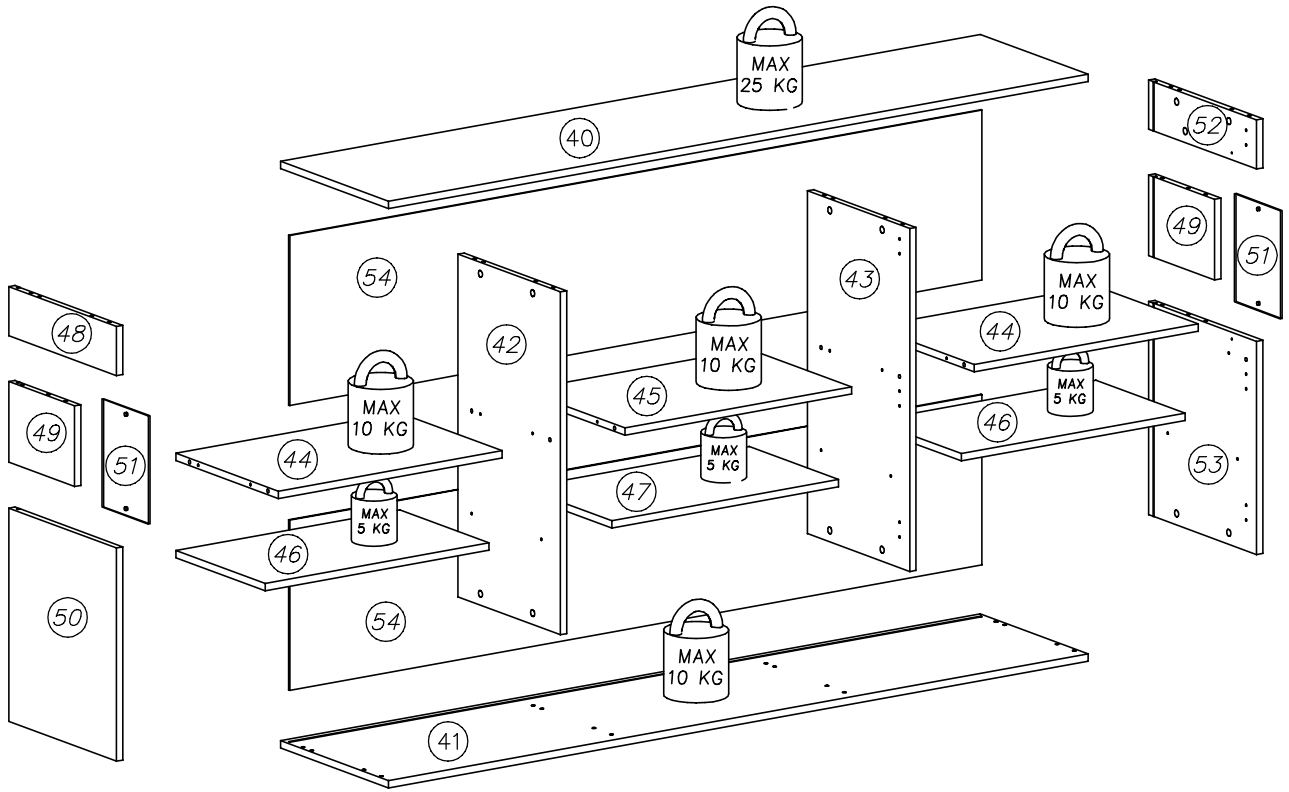
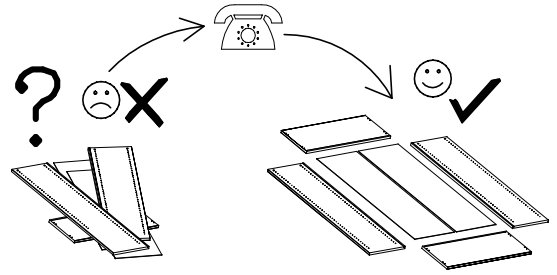
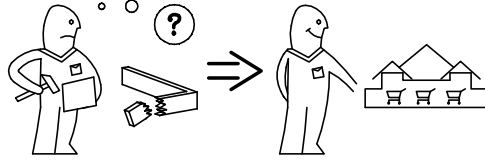
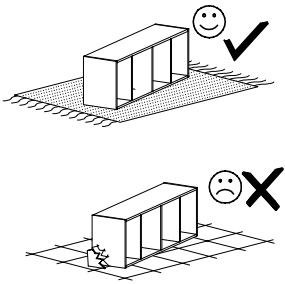


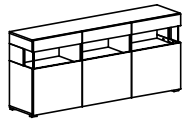
nr	L[mm]	B[mm]	T[mm]	Menge	Colli
40	1800	396	16	1	2/2
41	1800	396	16	1	2/2
42	748	376	16	1	2/2
43	748	376	16	1	2/2
44	576	376	16	2	1/2
45	583	376	16	1	2/2
46	576	328	16	2	1/2
47	583	328	16	1	1/2
48	107	396	16	1	2/2

nr	L[mm]	B[mm]	T[mm]	Menge	Colli
49	176	242	16	2	2/2
50	465	396	16	1	2/2
51	170	236	4	2	1/2
52	107	396	16	1	2/2
53	465	396	16	1	2/2
54	1779	380	3	2	2/2
55	596	120	16	3	1/2
56	596	478	16	3	1/2
57	571	236	4	2	1/2
58	578	236	4	1	1/2

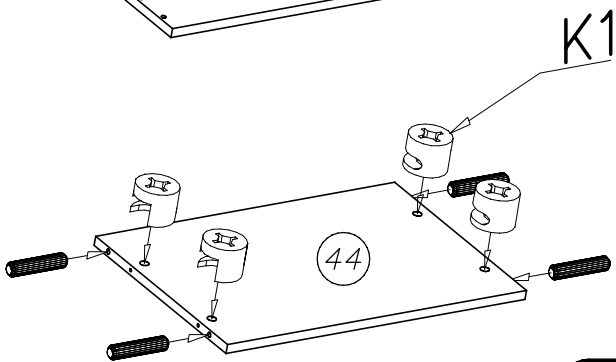
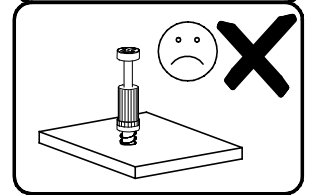
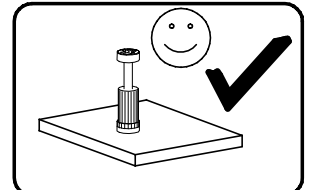
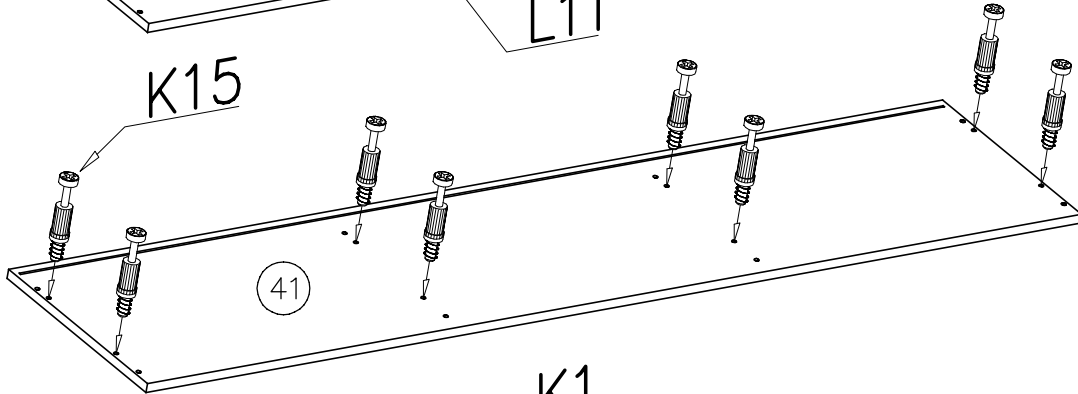
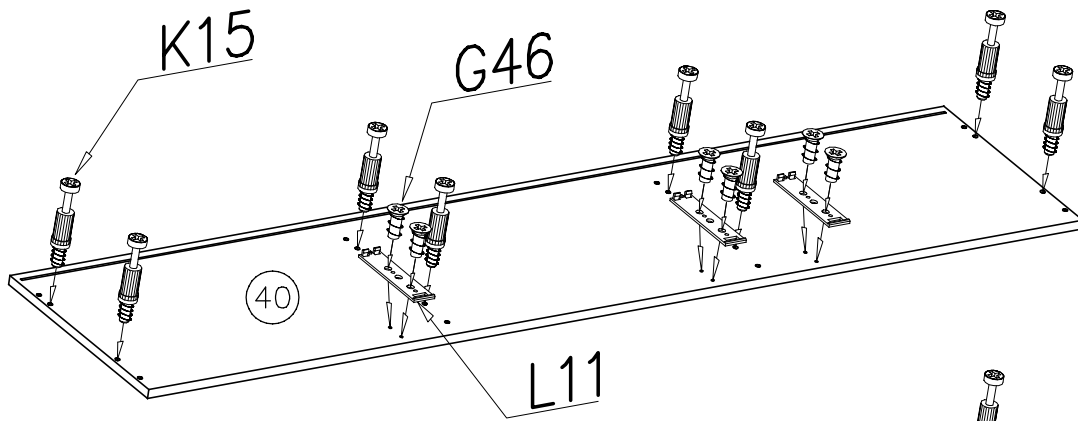


	G28  4x60 x...(2)	U6  ø8x40 x...(2)	M11  x...(2)	F2  x...(12)
L11  x...(3)	G46  6x8 x...(6)	B3  ø8x50 x...(8)	P15  x...(6)	G12  4x25 x...(12)
G21  3x16 x...(32)	G36  3,5x13 x...(22)	S1  1766mm x...(1)	C10  Z35PL x...(3)	D10  PZ35PL x...(3)
K1  ø15x12 x...(32)	I3  x...(22)	G22  3,5x16 x...(22)	I1  x...(10)	W1  GLUE, LEIM, LEPIDLO, LIM x...(1)
K15  x...(32)	B1  ø8x35 x...(28)	C3  Z35PR x...(6)	D3  PZ35PR x...(6)	I7  x...(32)

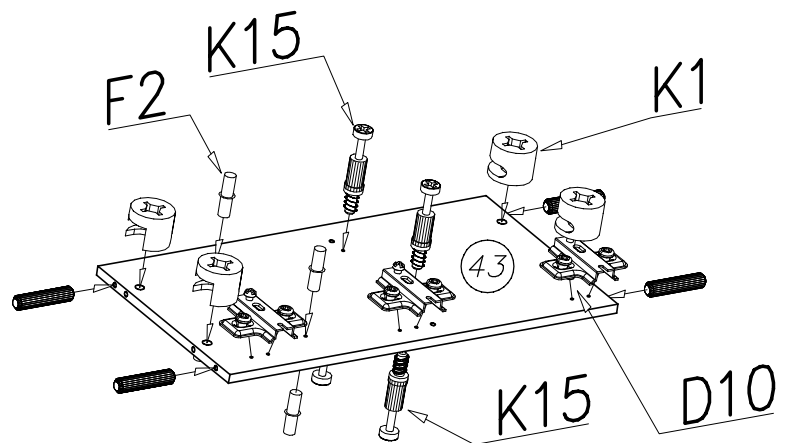
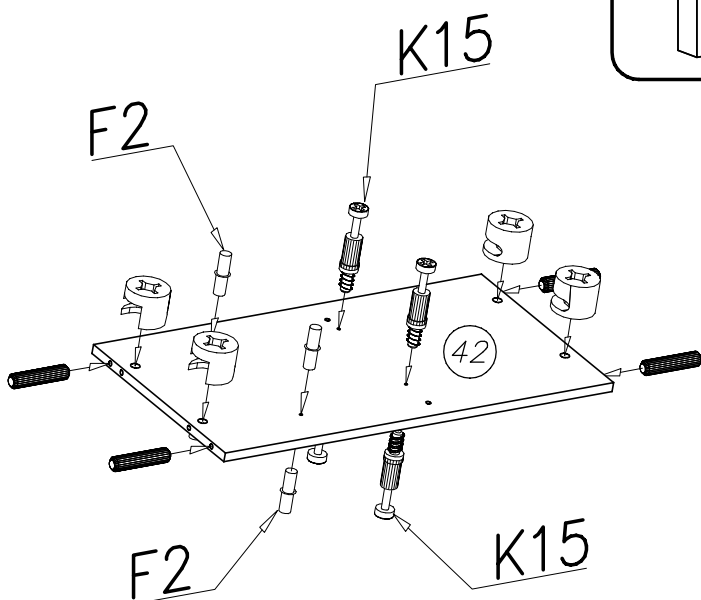
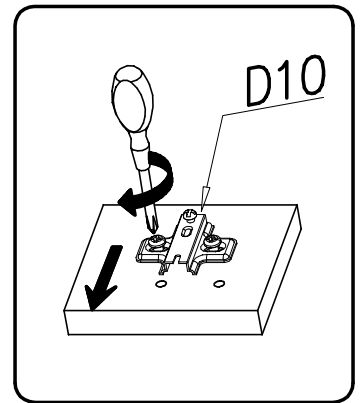
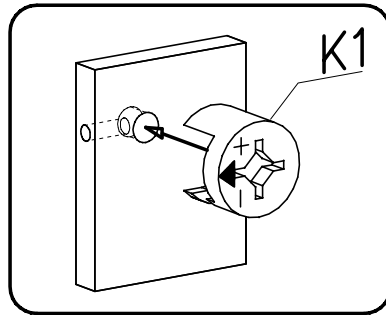
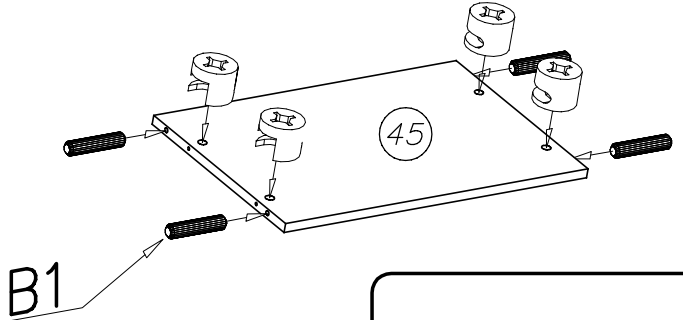


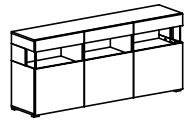


I

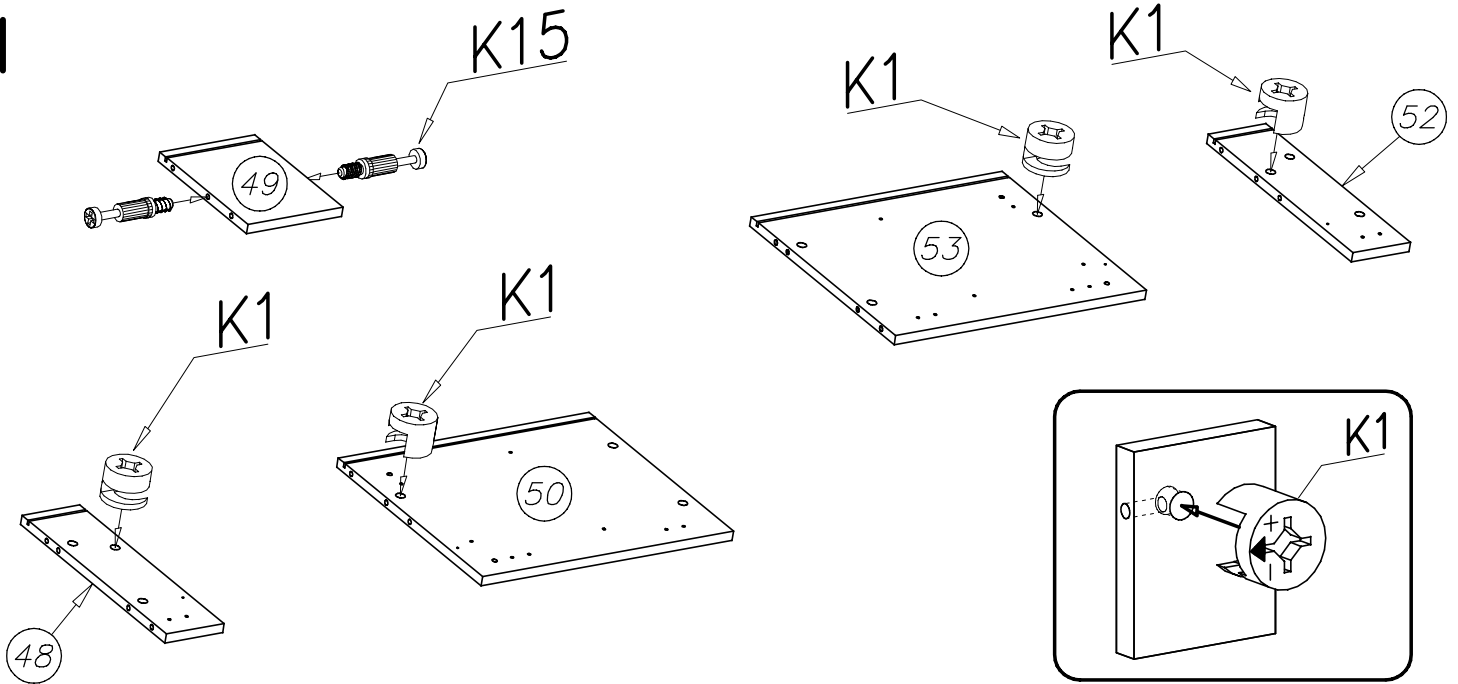


2x

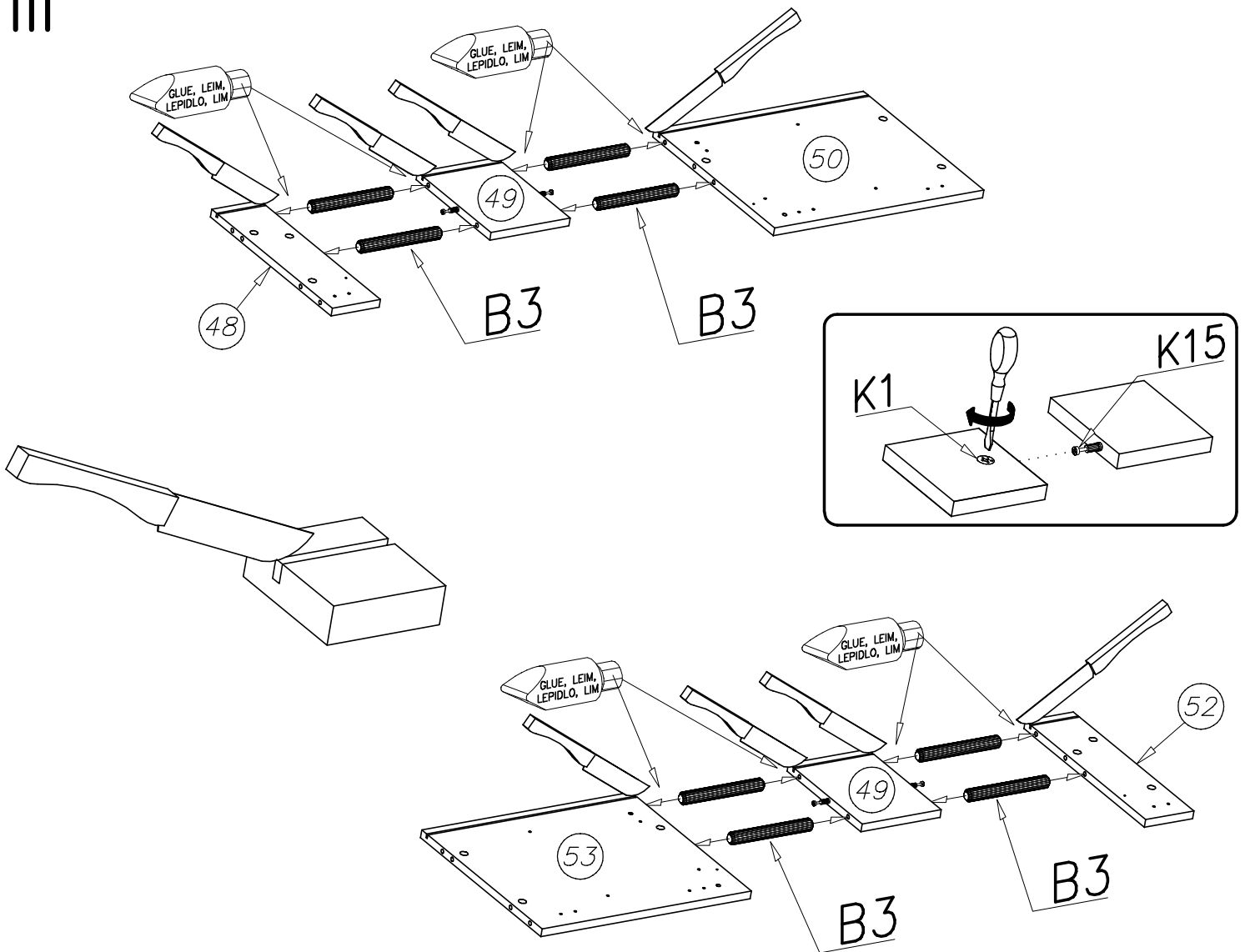


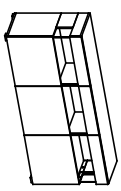


II

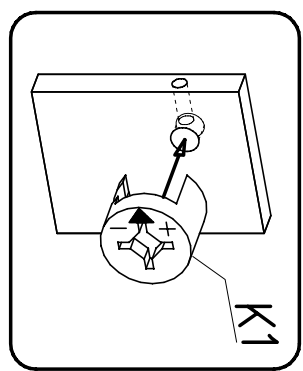
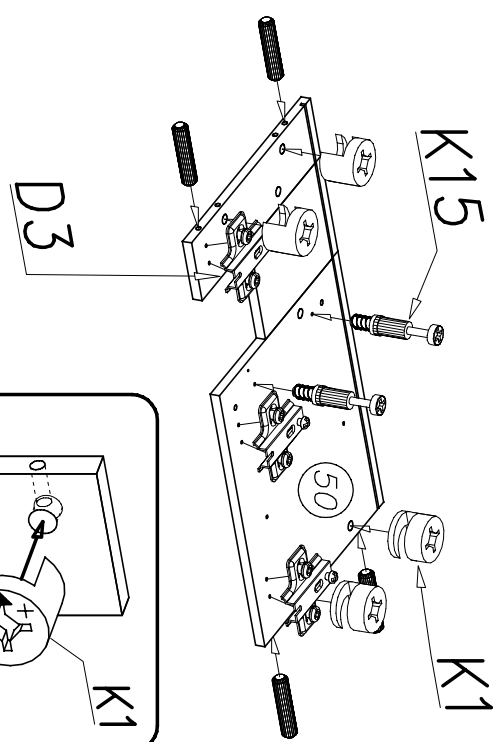
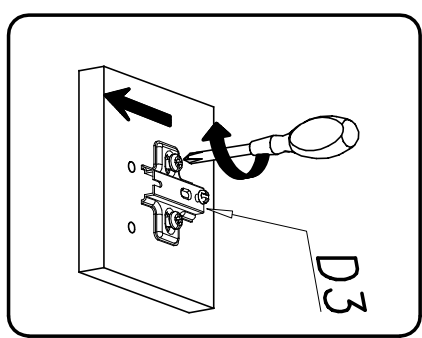
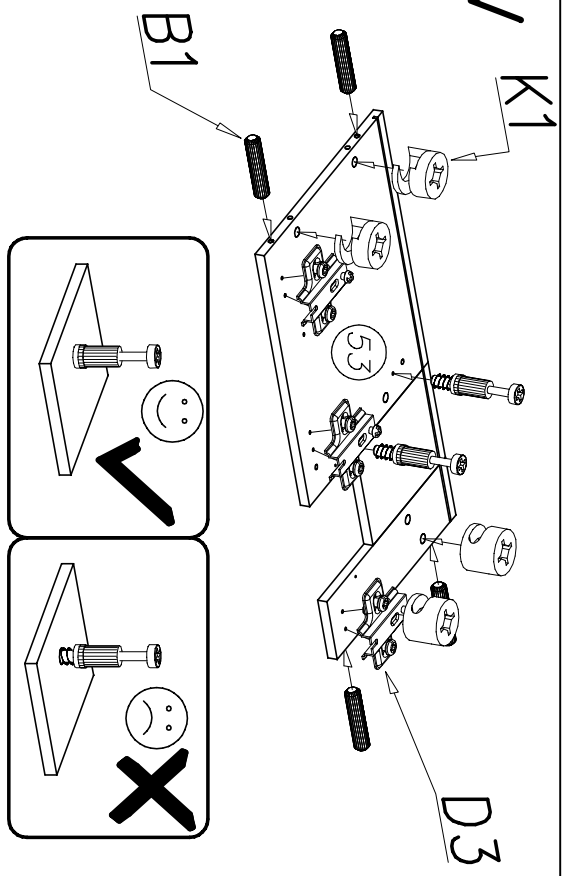


III

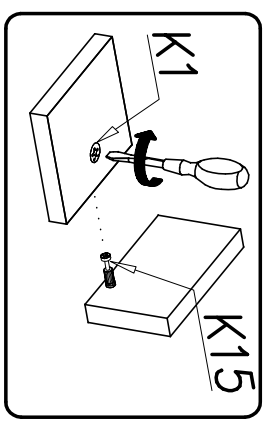
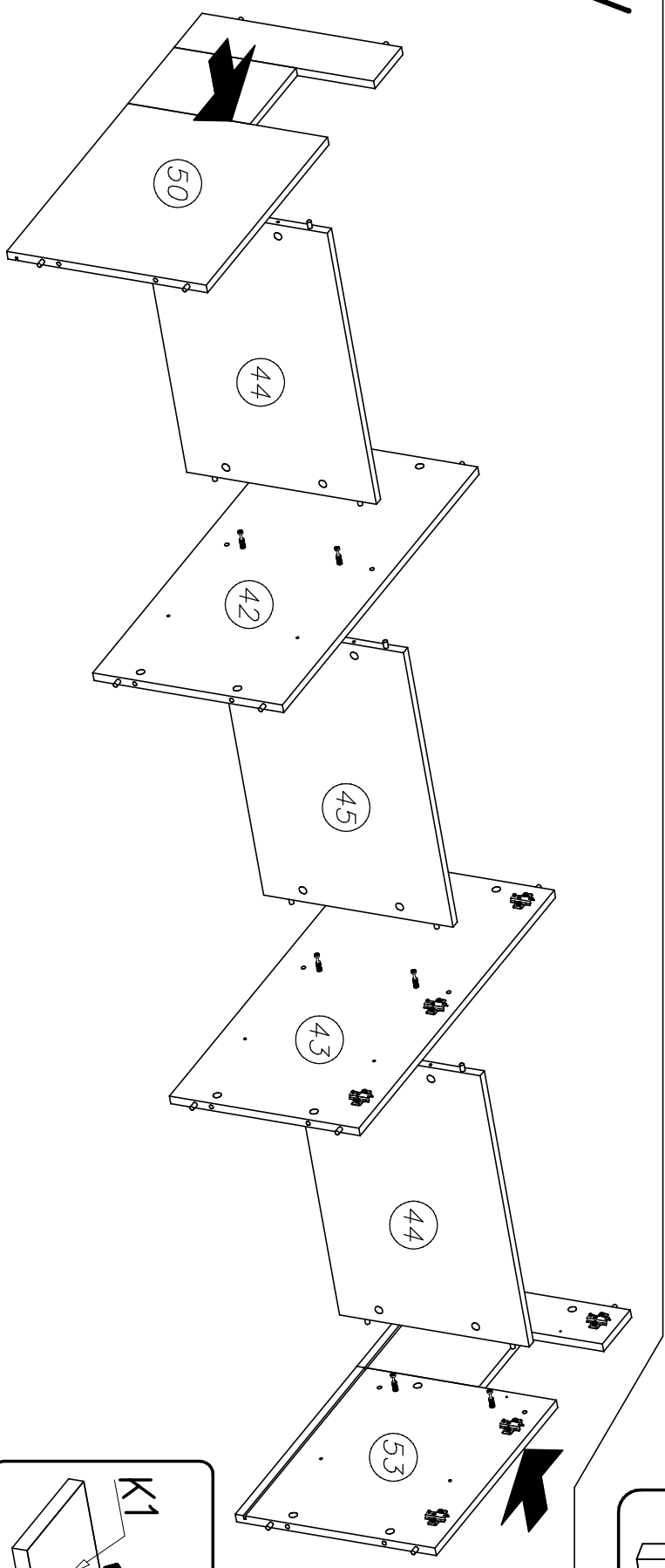


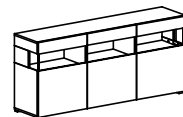


IV

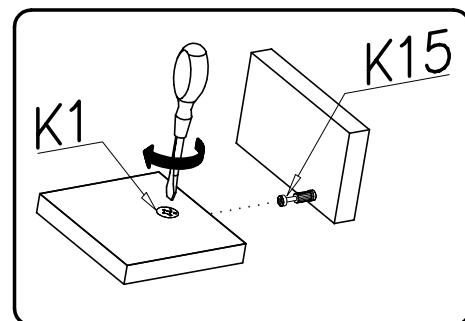
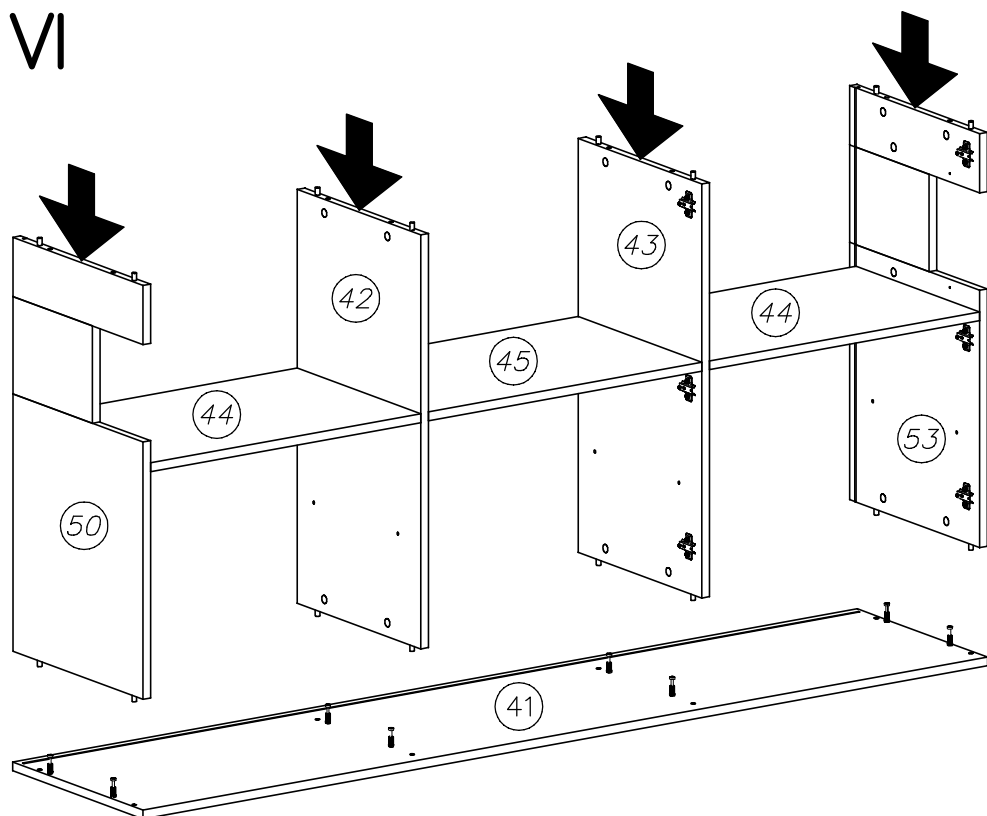


V

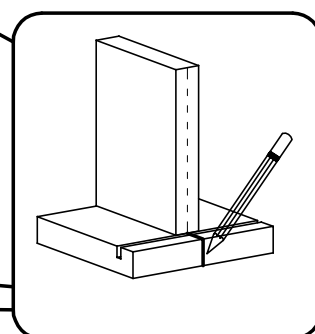
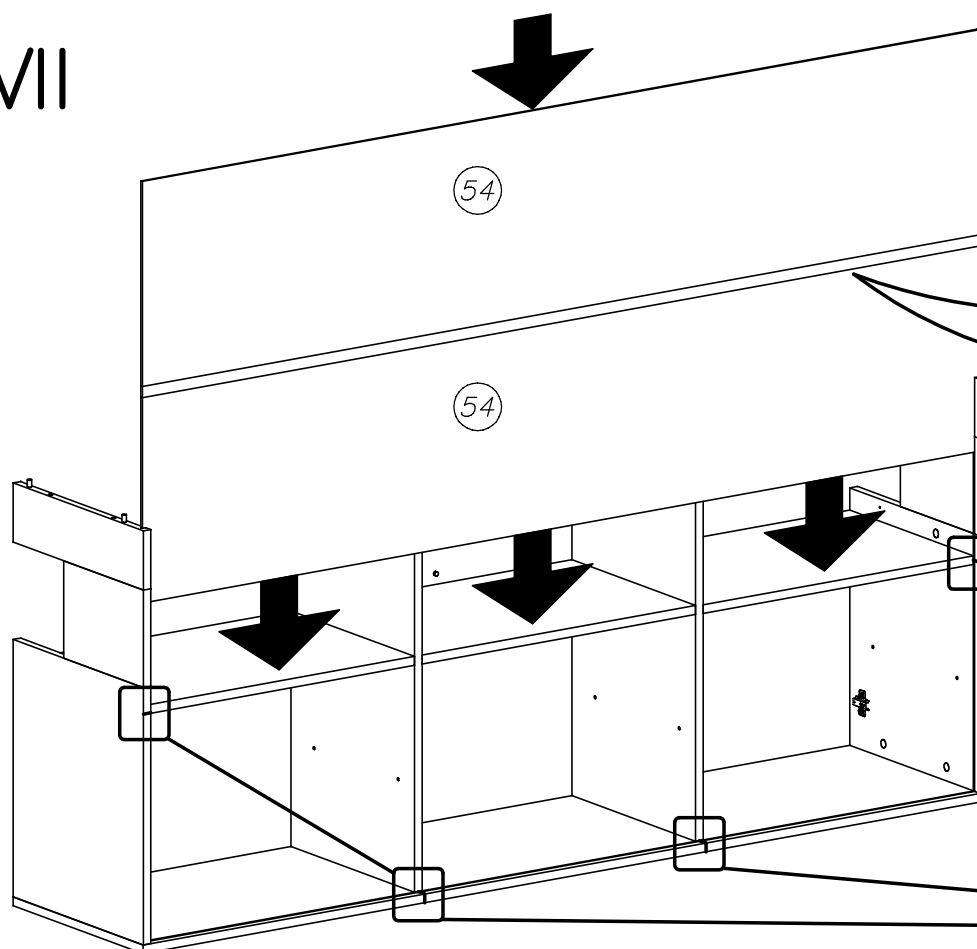


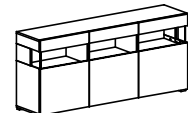


VI

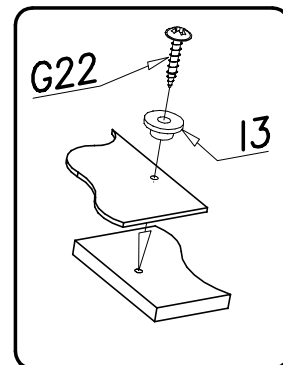
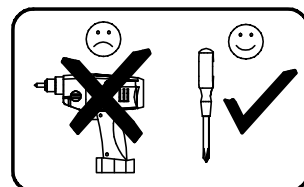
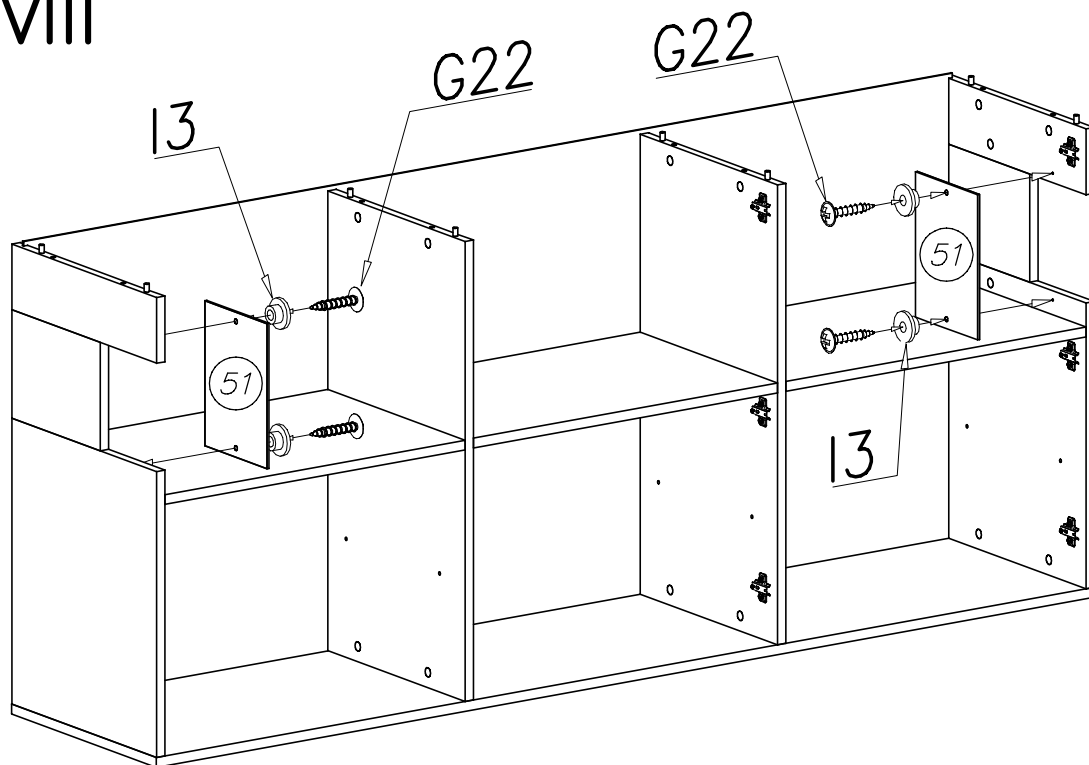


VII

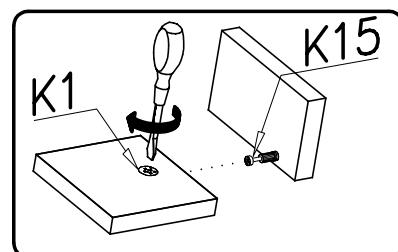
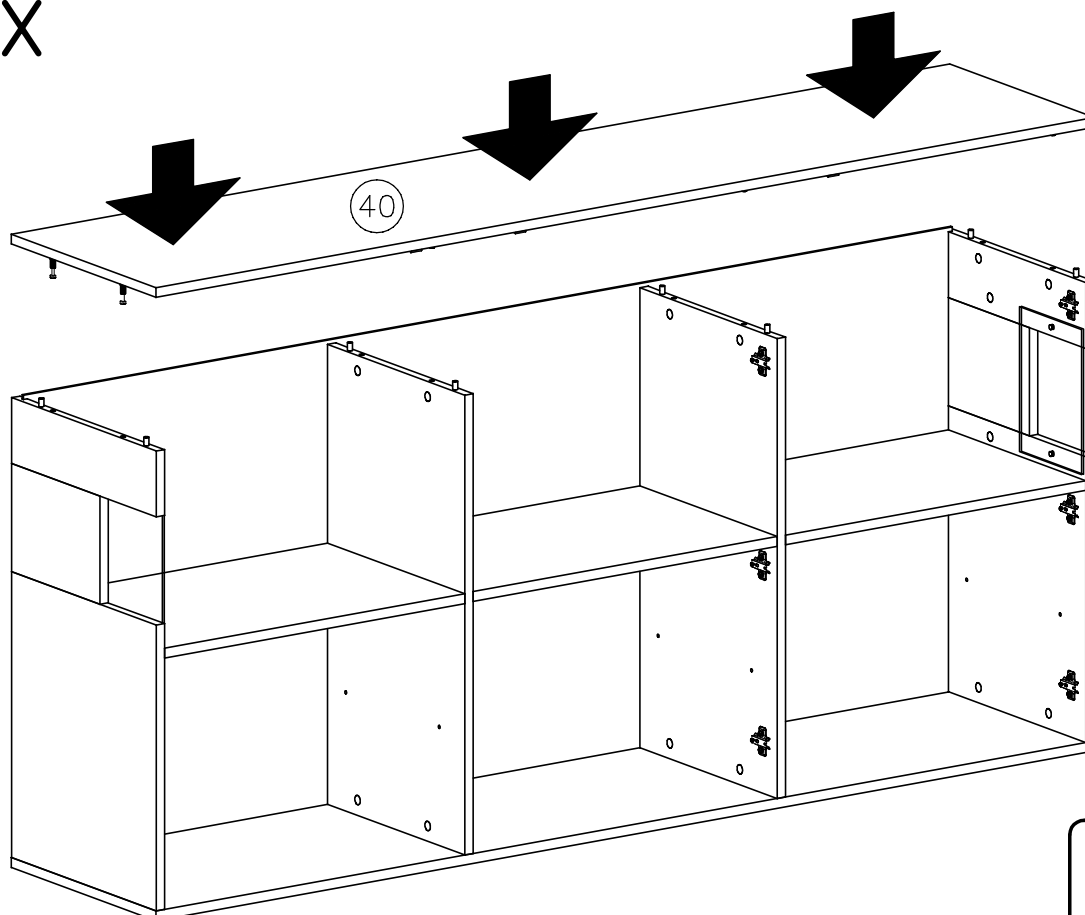


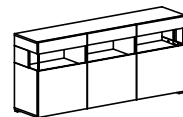


VIII

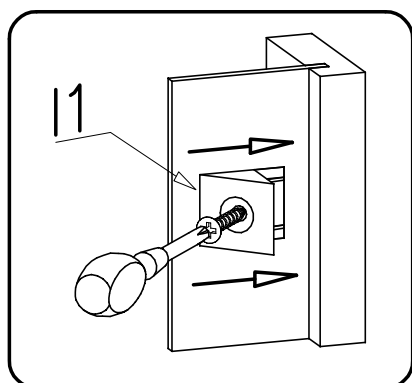
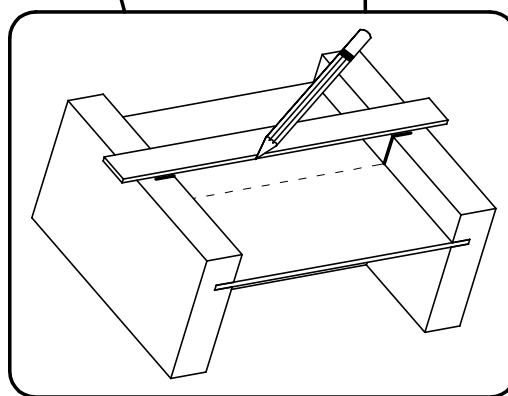
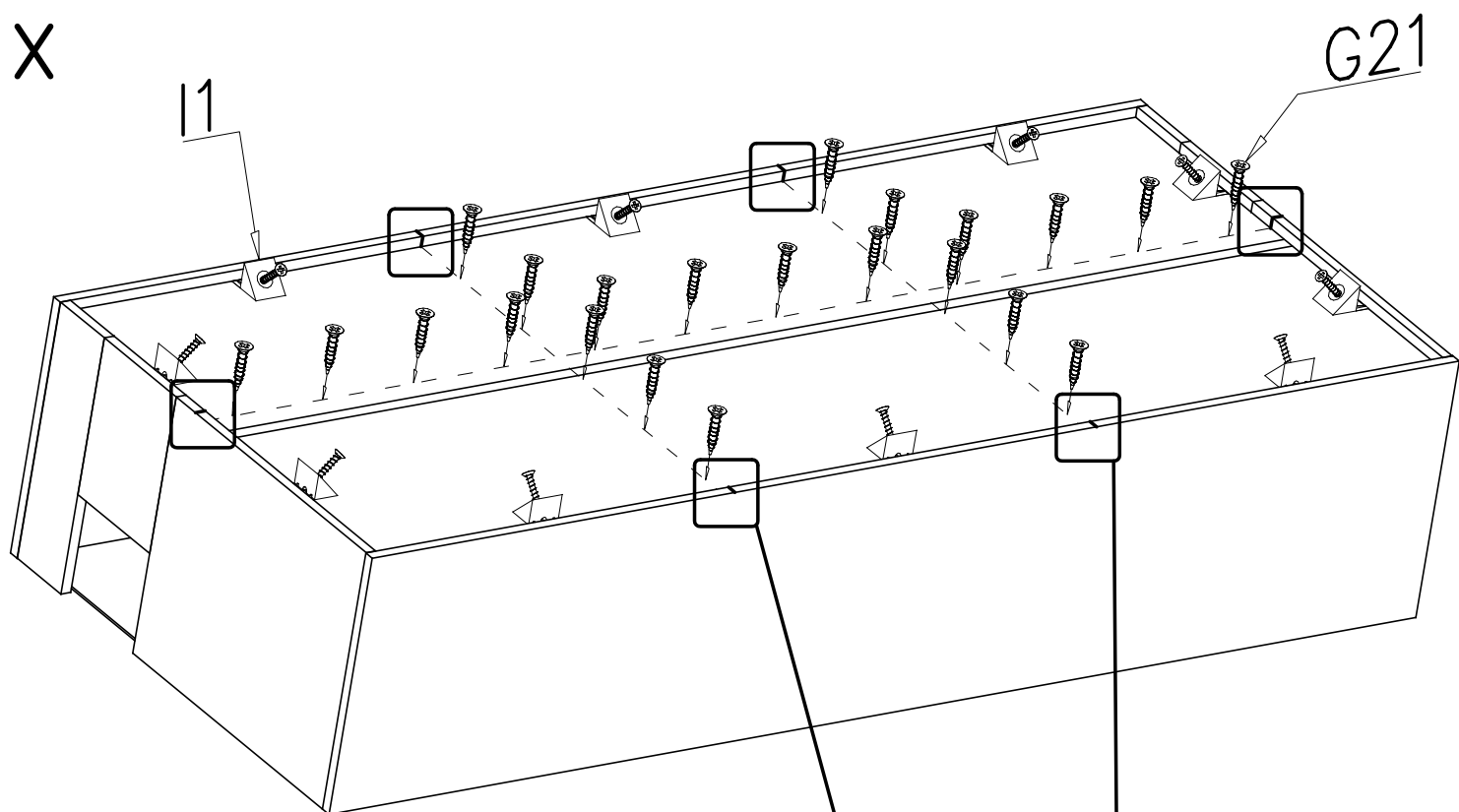


IX

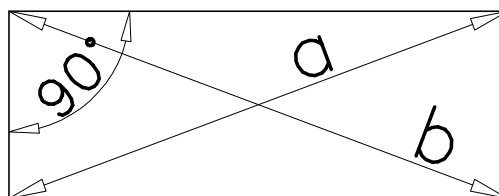


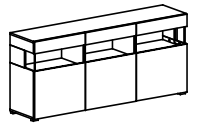


X

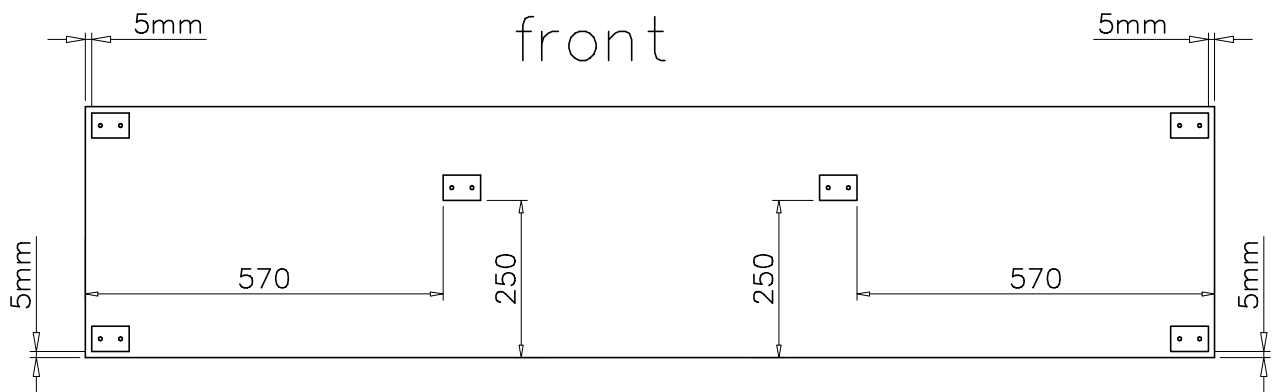
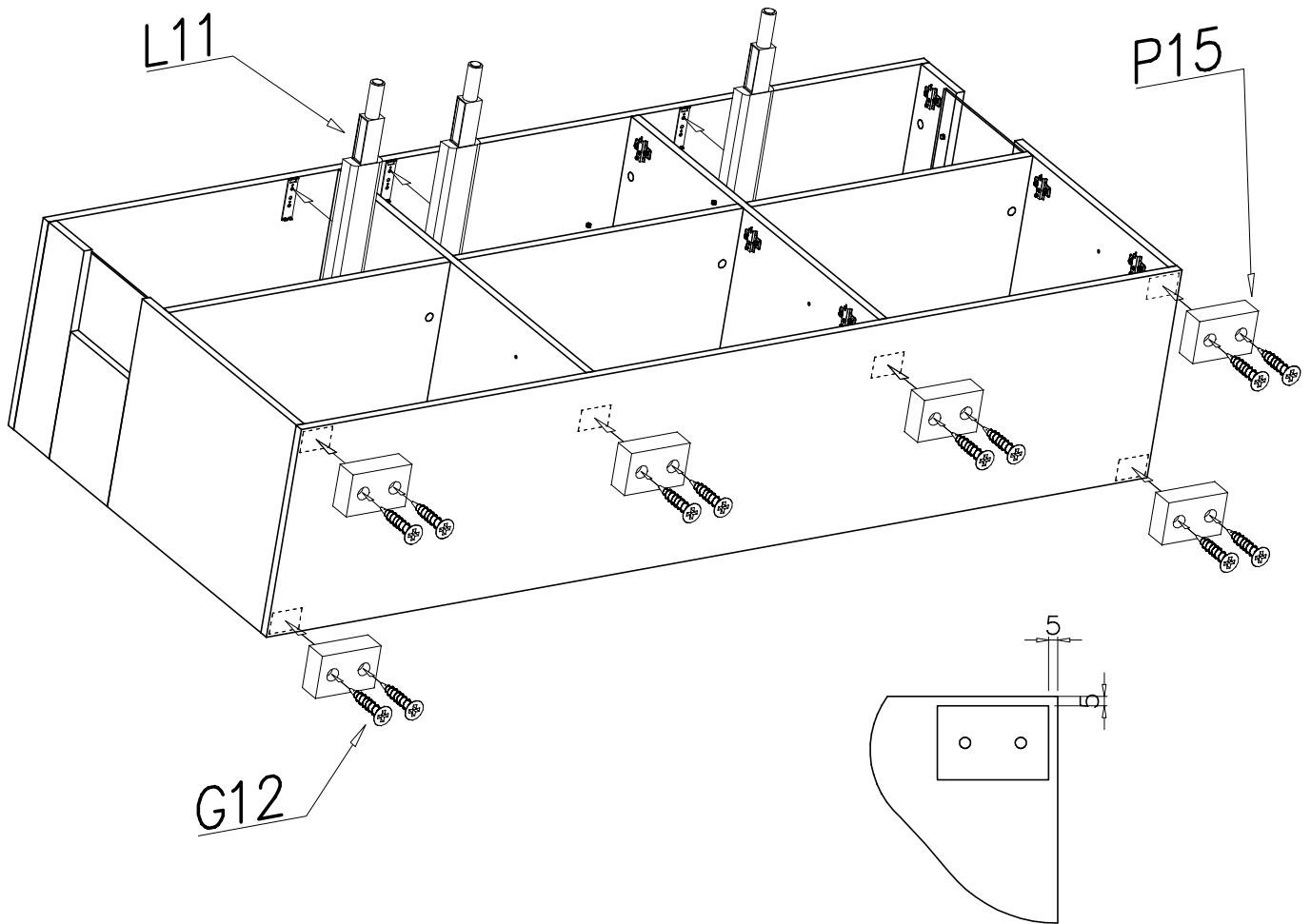
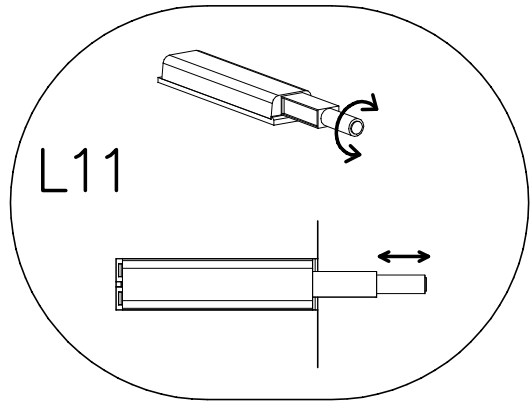
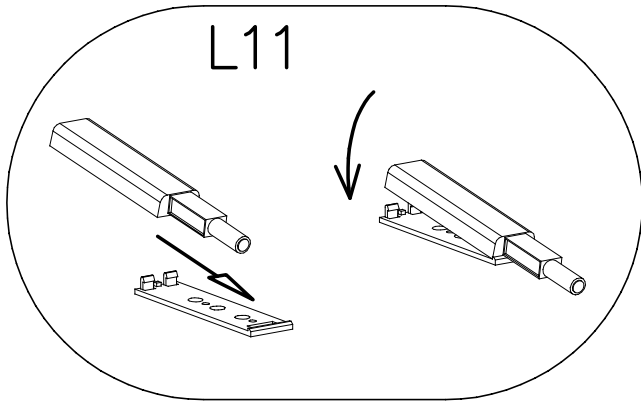


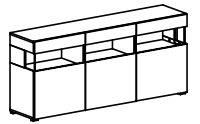
$$a = b$$



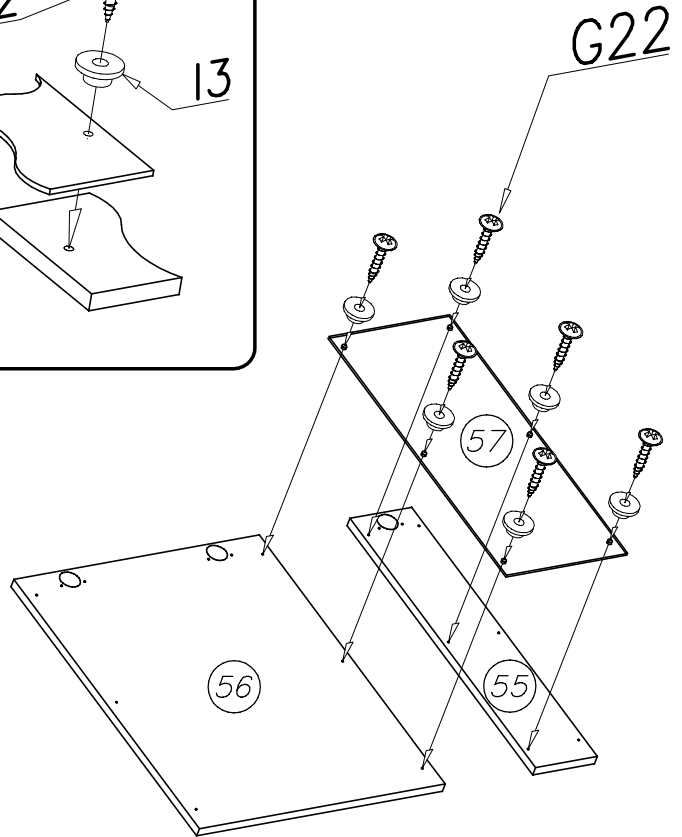
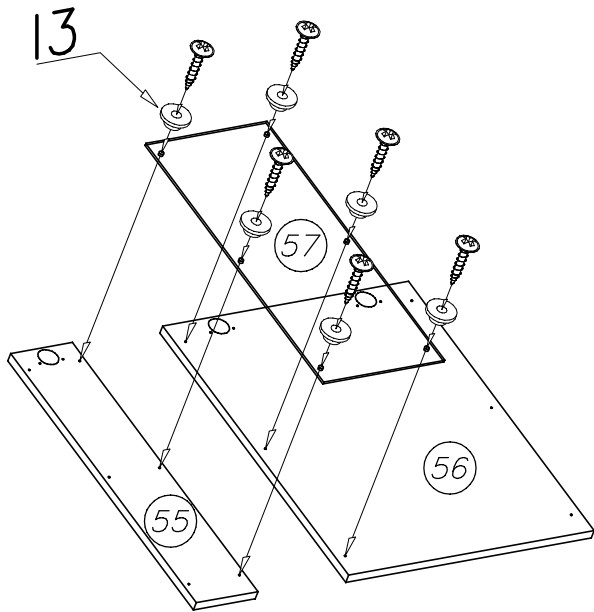
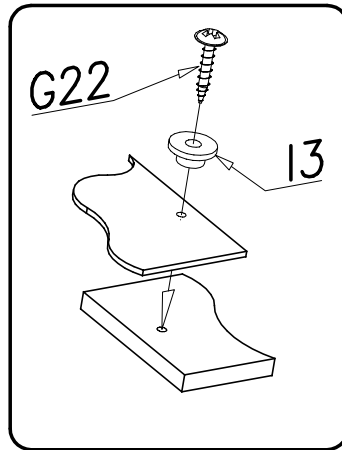
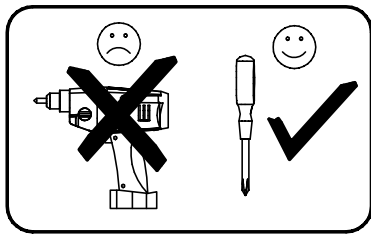


XI

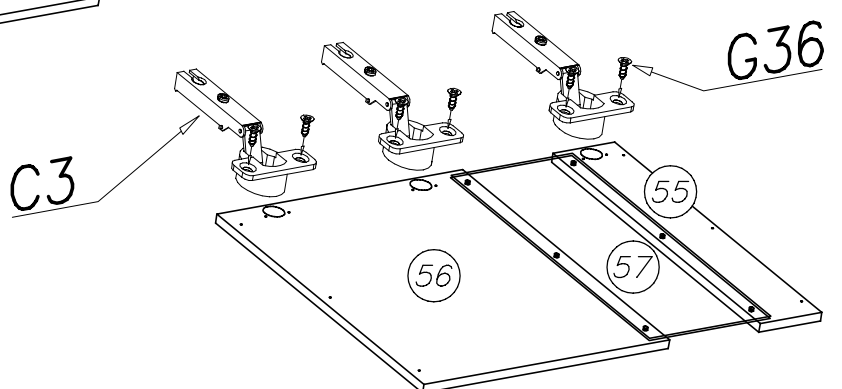
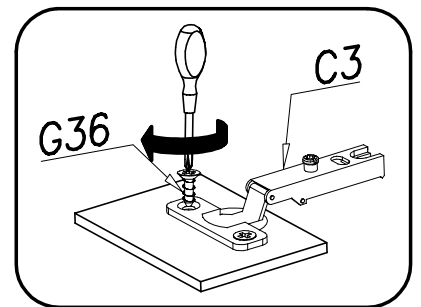
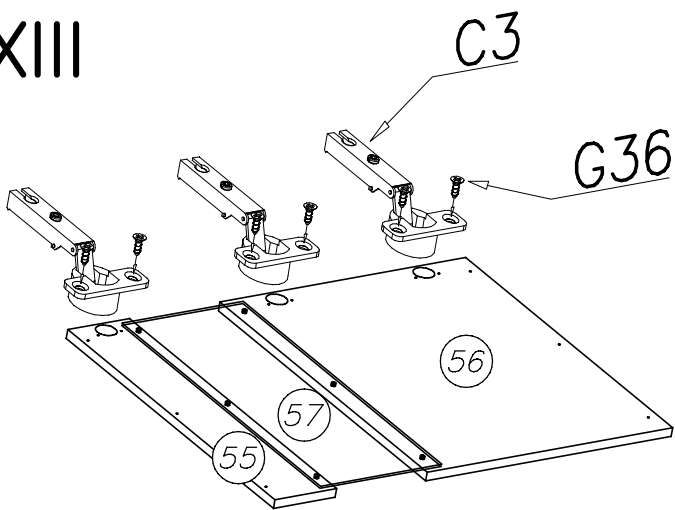


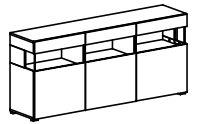


XII

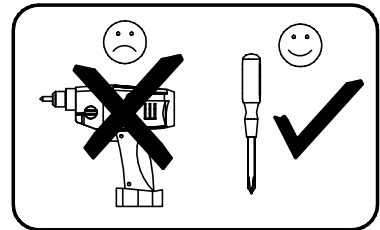
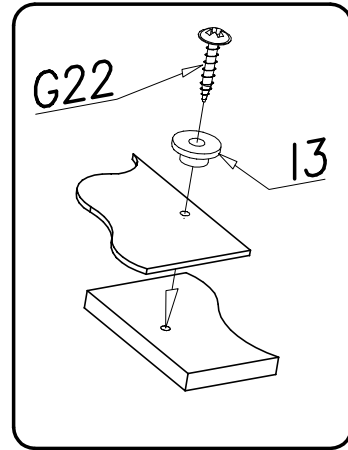
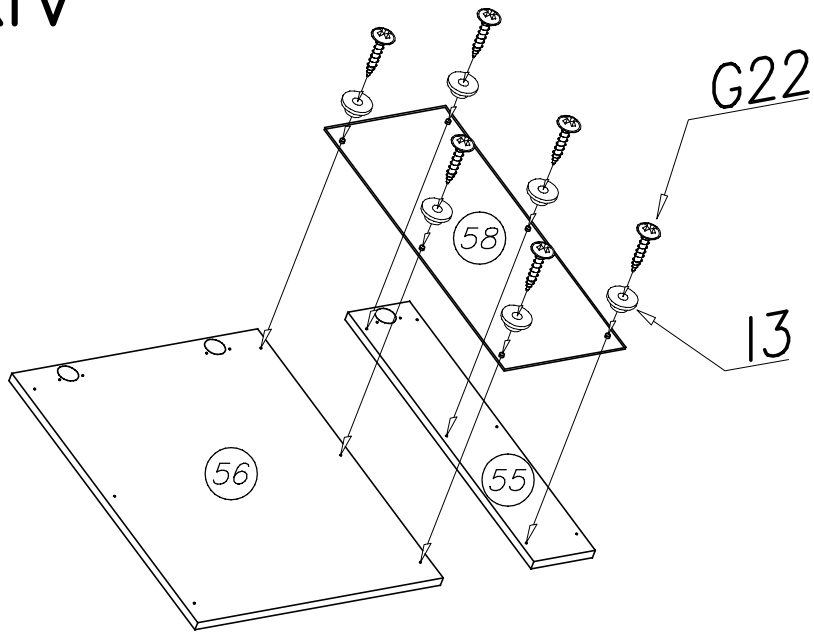


XIII

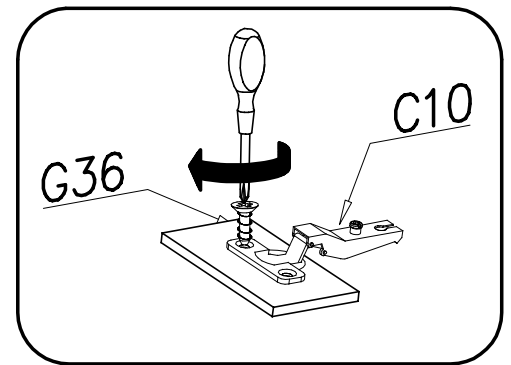
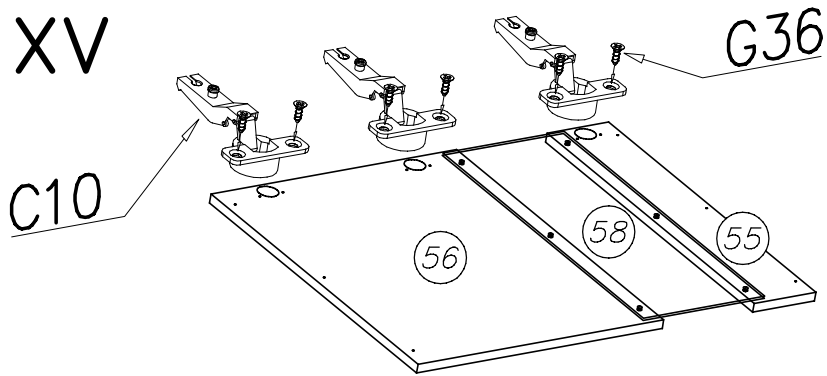




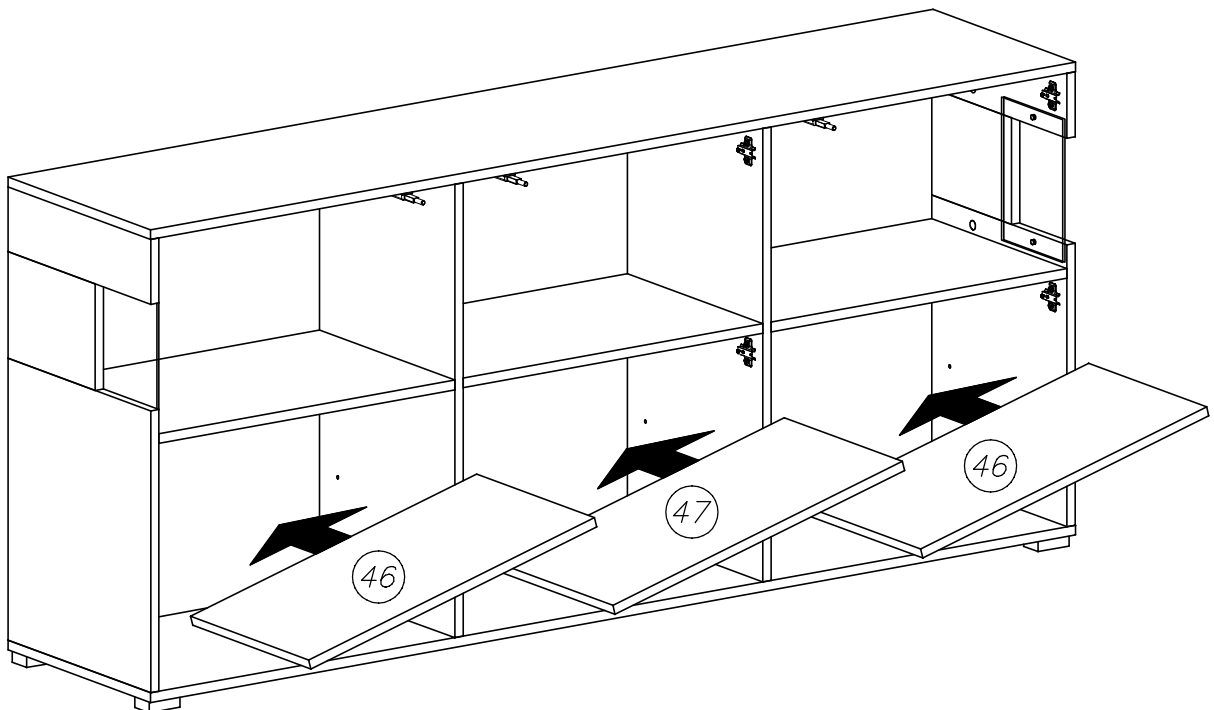
XIV

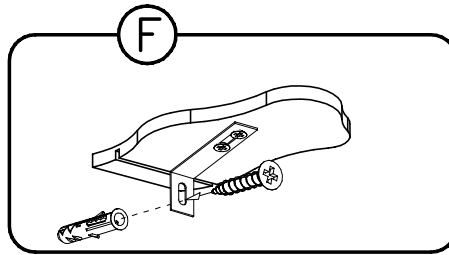
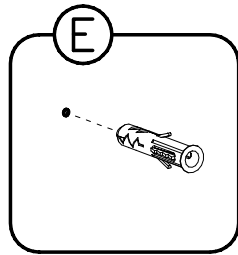
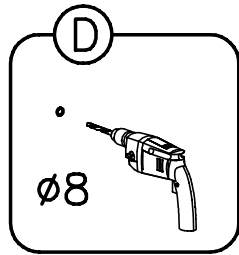
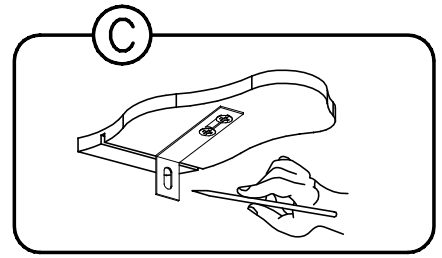
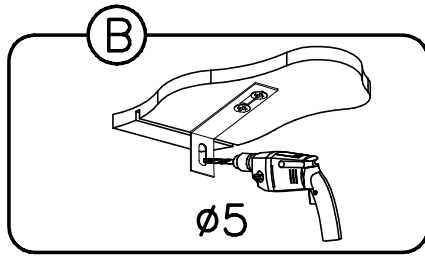
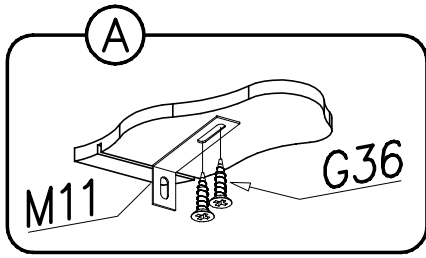
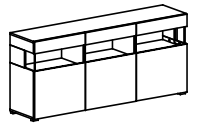


XV

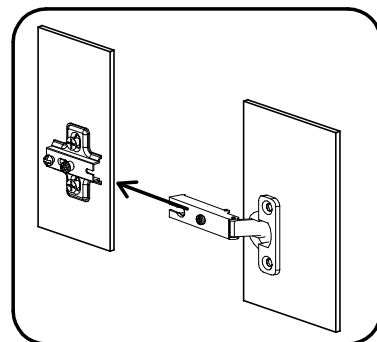
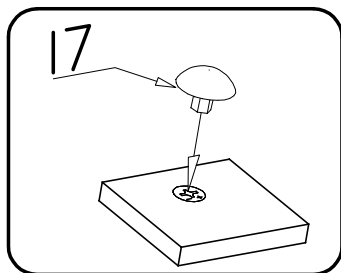
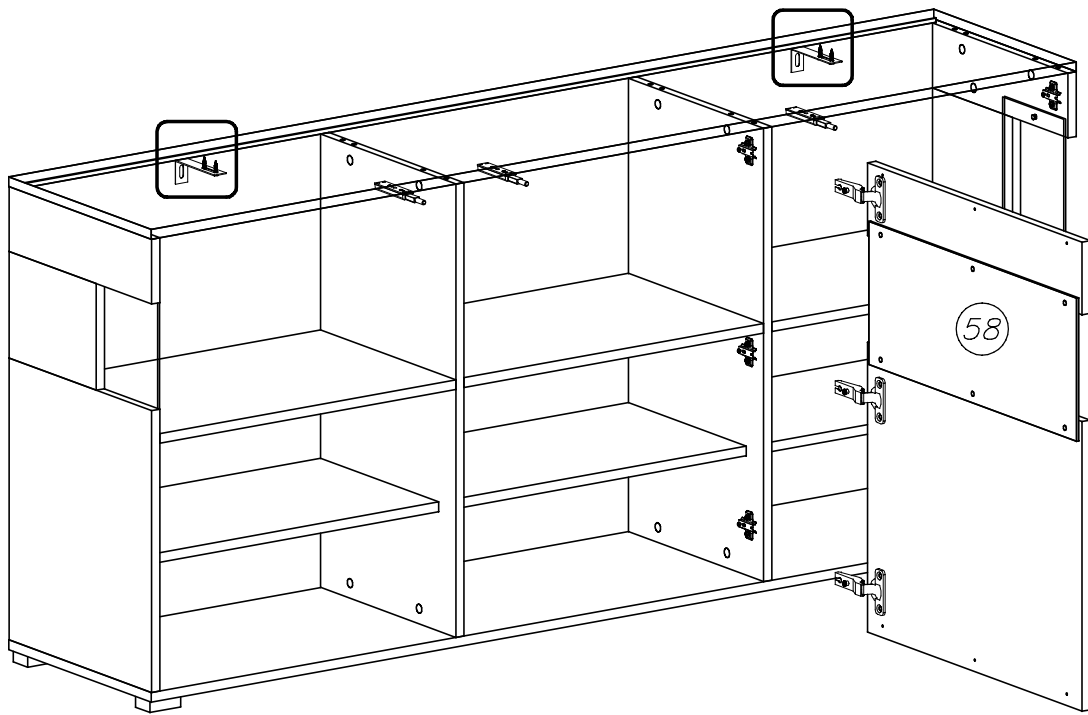


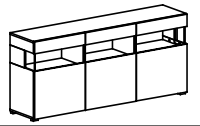
XVI





XVII





XVIII

