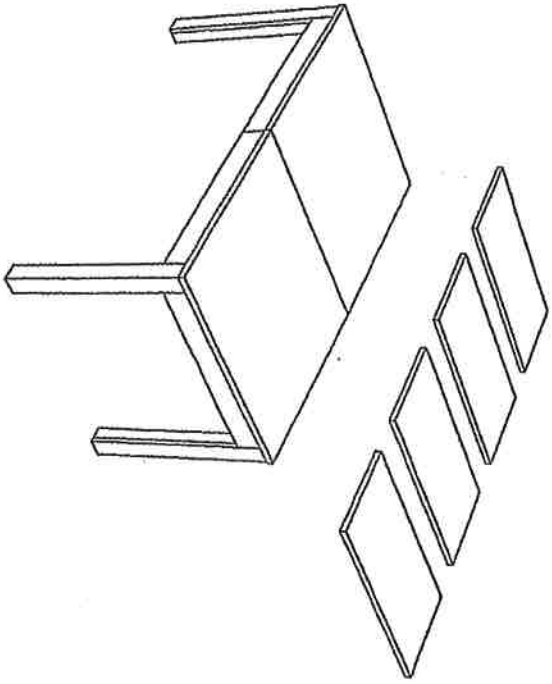
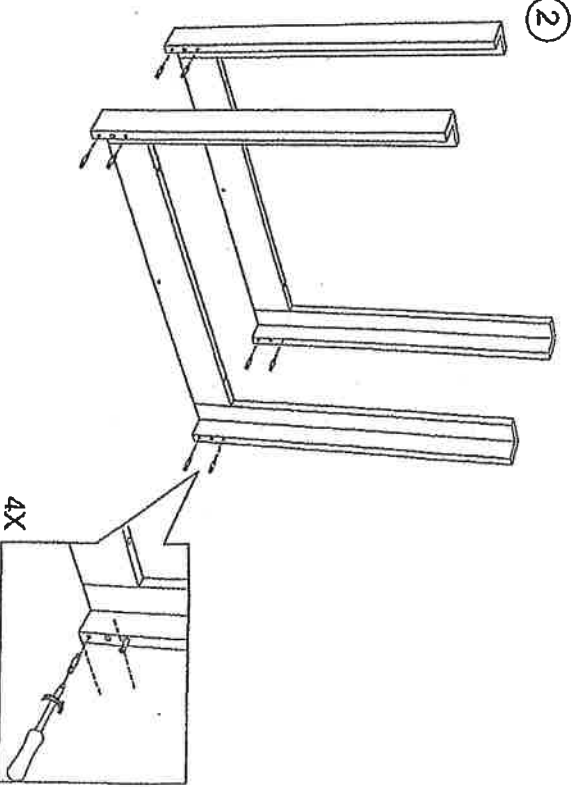
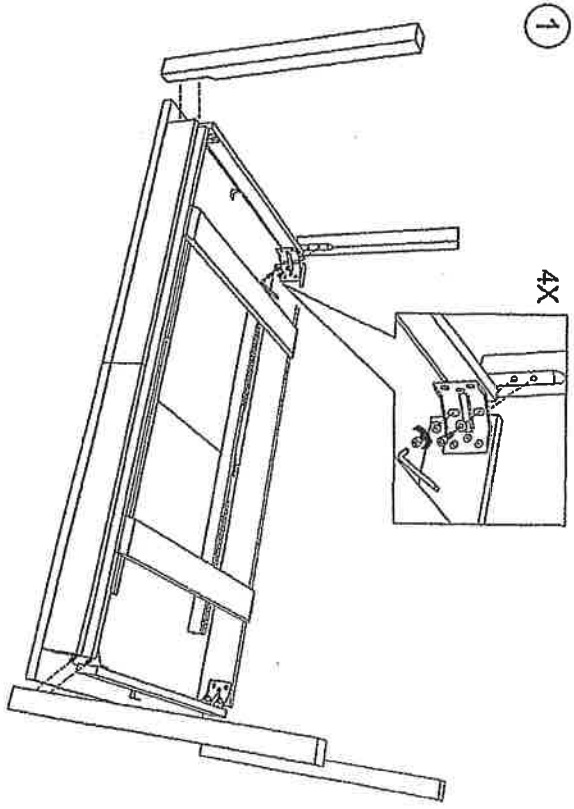


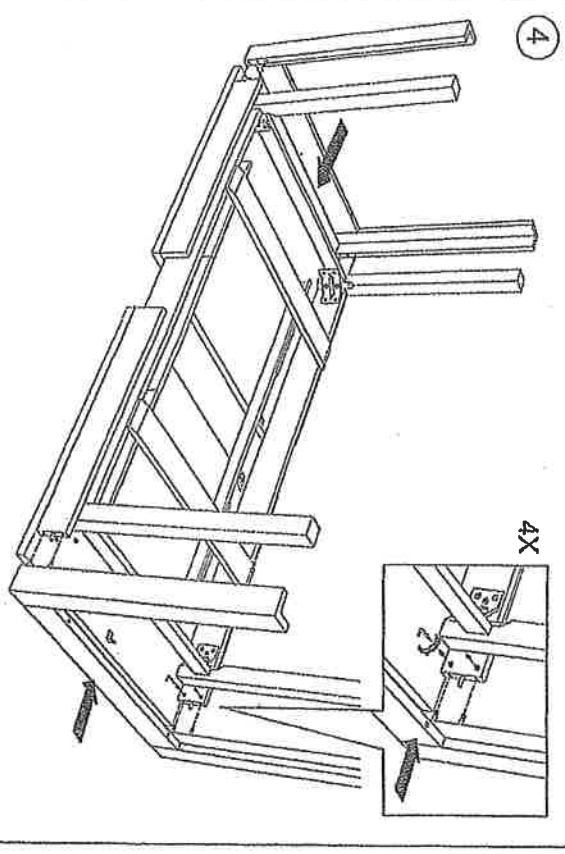
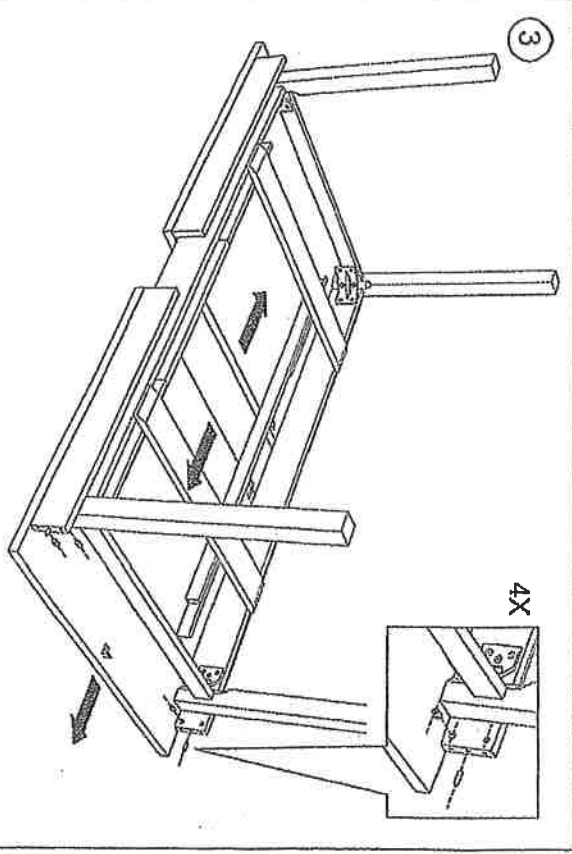
# TAVOLO SUPER 4

ISTRUZIONI DI MONTAGGIO  
 ASSEMBLY INSTRUCTIONS  
 MONTAGEANLEITUNG  
 INSTRUCTION DE MONTAGE  
 INSTRUCCIONES DE MONTAJE  
 СЪБИРАНЕТО НА ЧАСТИТЕ

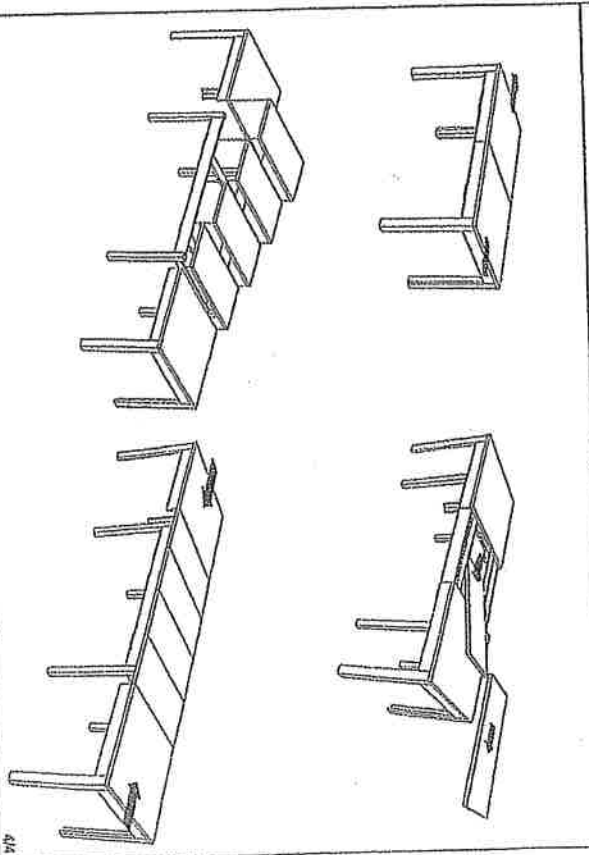
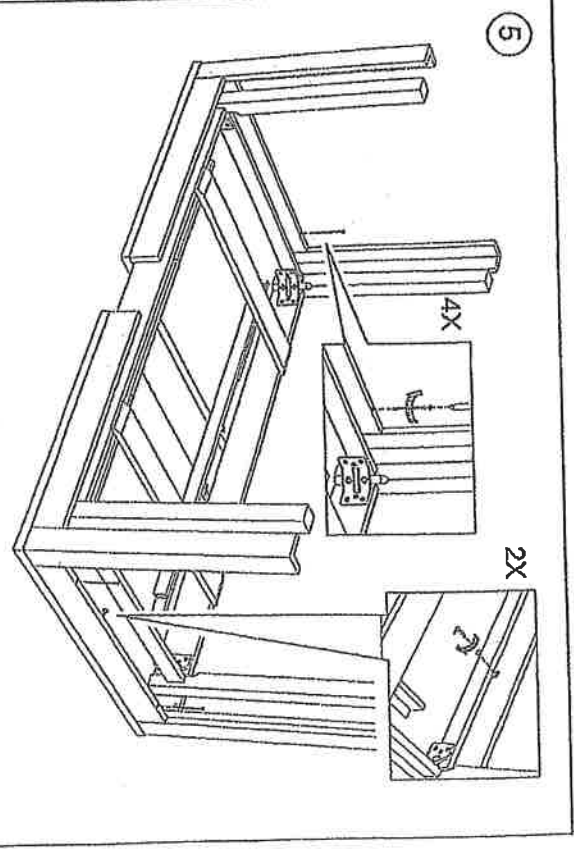


8X		8X		1X		8X	
	TC61 M8 x 30		Ø 8 x 16		CH 6		Ø 10 x 15 x 7
8X		4X		8X		1X	
	Ø 7 x 25 x M6		Ø 8 x 40		M6 x 10		CH 3
2X		1X					
	TB61 M6 x 16		CH 4				





3/16



4/16