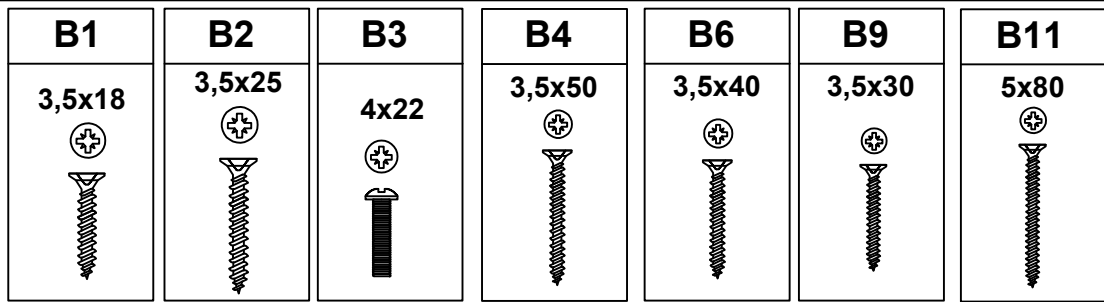
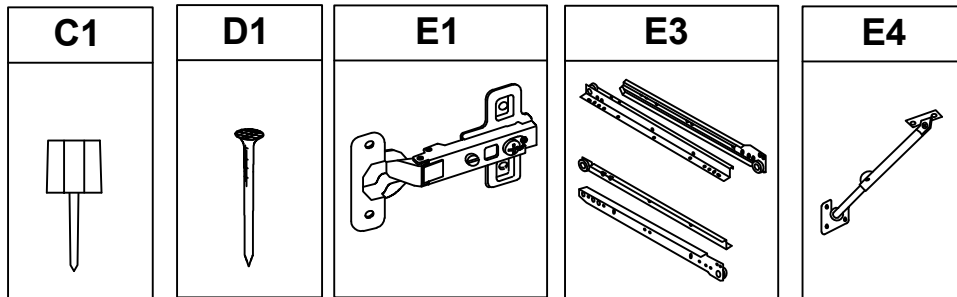


**FLY180428-FLY180433-FLY180435**

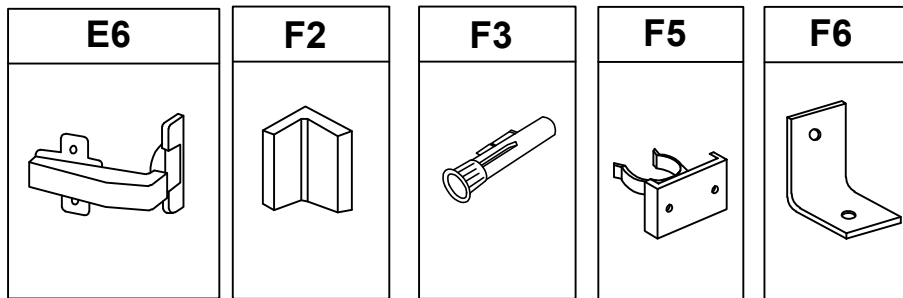
01	324x300x18 mm	x2	14	364x80x18 mm	x2	27	717x397x18 mm	x2
02	1800x300x18 mm	x2	15	764x80x18 mm	x3	28	503x100x18 mm	x4
03	324x300x18 mm	x2	16	964x80x18 mm	x2	29	503x140x18 mm	x2
04	1800x360x3 mm	x1	17	964x500x18 mm	x1	30	303x100x18 mm	x4
05	357x597x18 mm	x2	18	120x600x3 mm	x1	31	303x140x18 mm	x2
06	720x550x18 mm	x1	19	720x400x3 mm	x1	32	500x338x3 mm	x3
07	720x550x18 mm	x2	20	720x500x3 mm	x2	33	1025x140x18 mm	x1
08	720x550x18 mm	x2	21	120x597x18 mm	x1	34	1270x140x18 mm	x1
09	720x550x18 mm	x1	22	177x397x18 mm	x2	35	1010x610x26 mm	x1
10	564x550x18 mm	x2	23	357x397x18 mm	x1	36	1810x610x26 mm	x1
11	364x550x18 mm	x1	24	717x50x18 mm	x1	37	870x550x18 mm	x1
12	764x450x18 mm	x1	25	717x100x18 mm	x1	38	870x550x18 mm	x1
13	964x550x18 mm	x1	26	717x397x18 mm	x1			



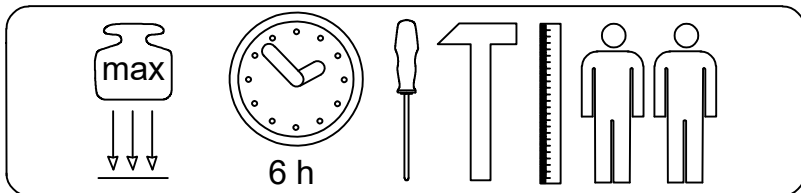
100x      48x      18x      93x      6x      8x      4x



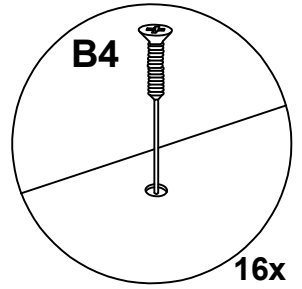
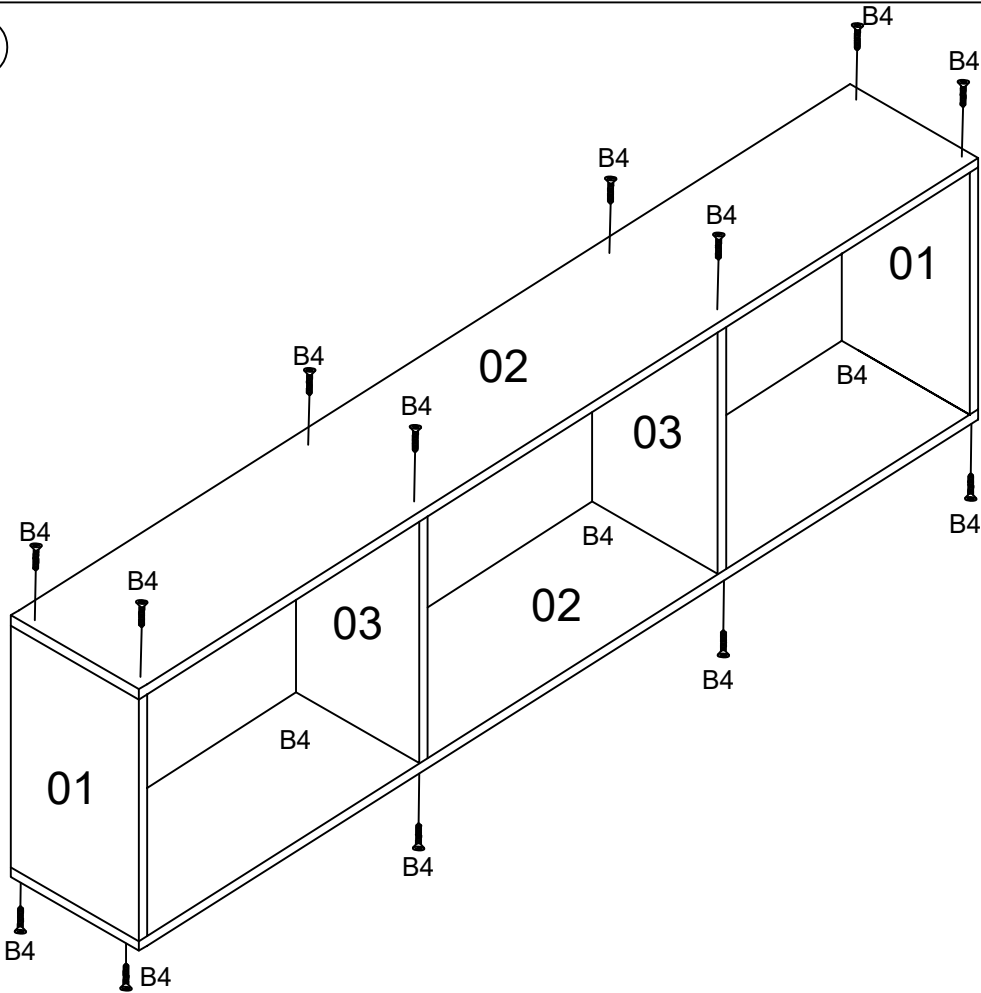
4x      123x      10x      3x      2x



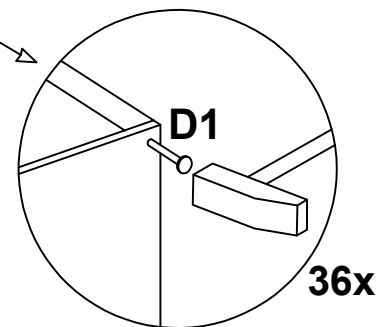
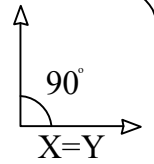
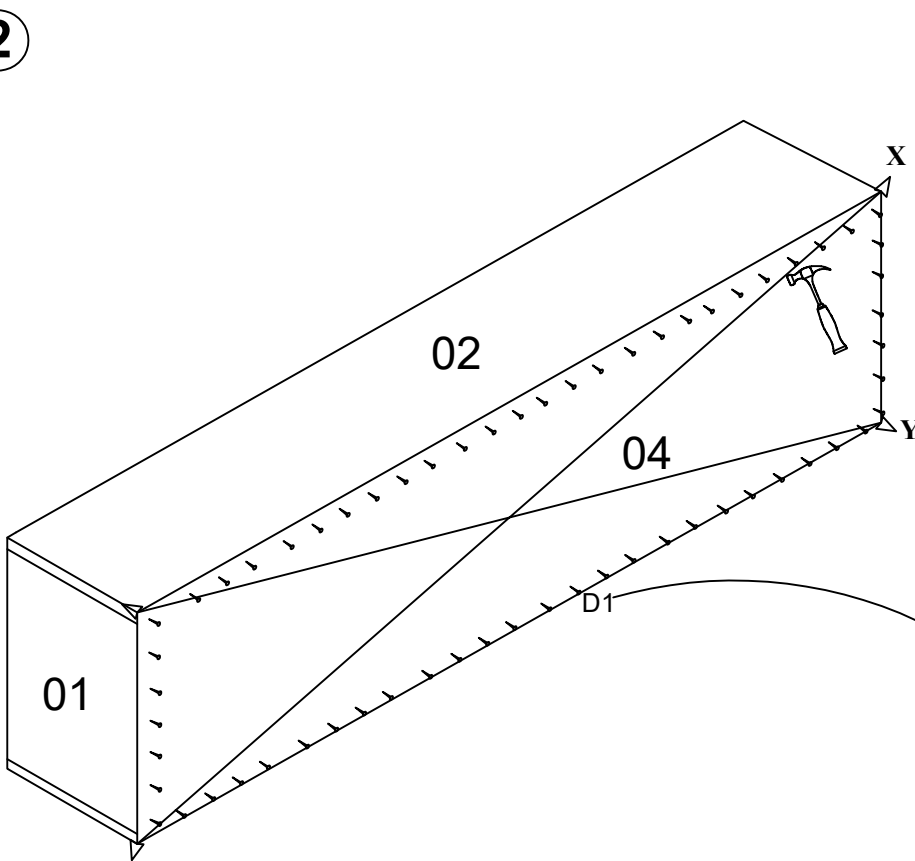
2x      4x      4x      6x      4x



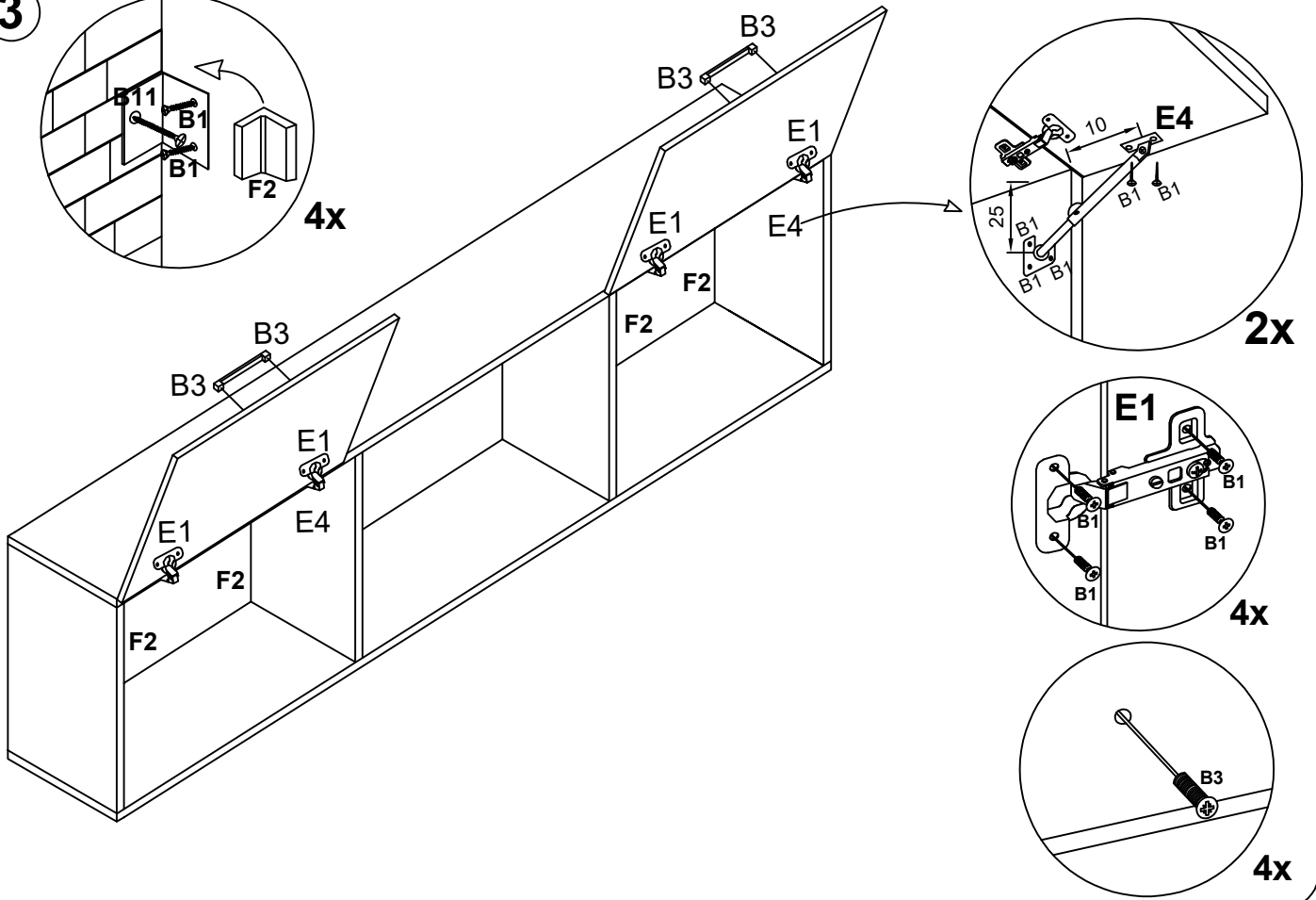
1



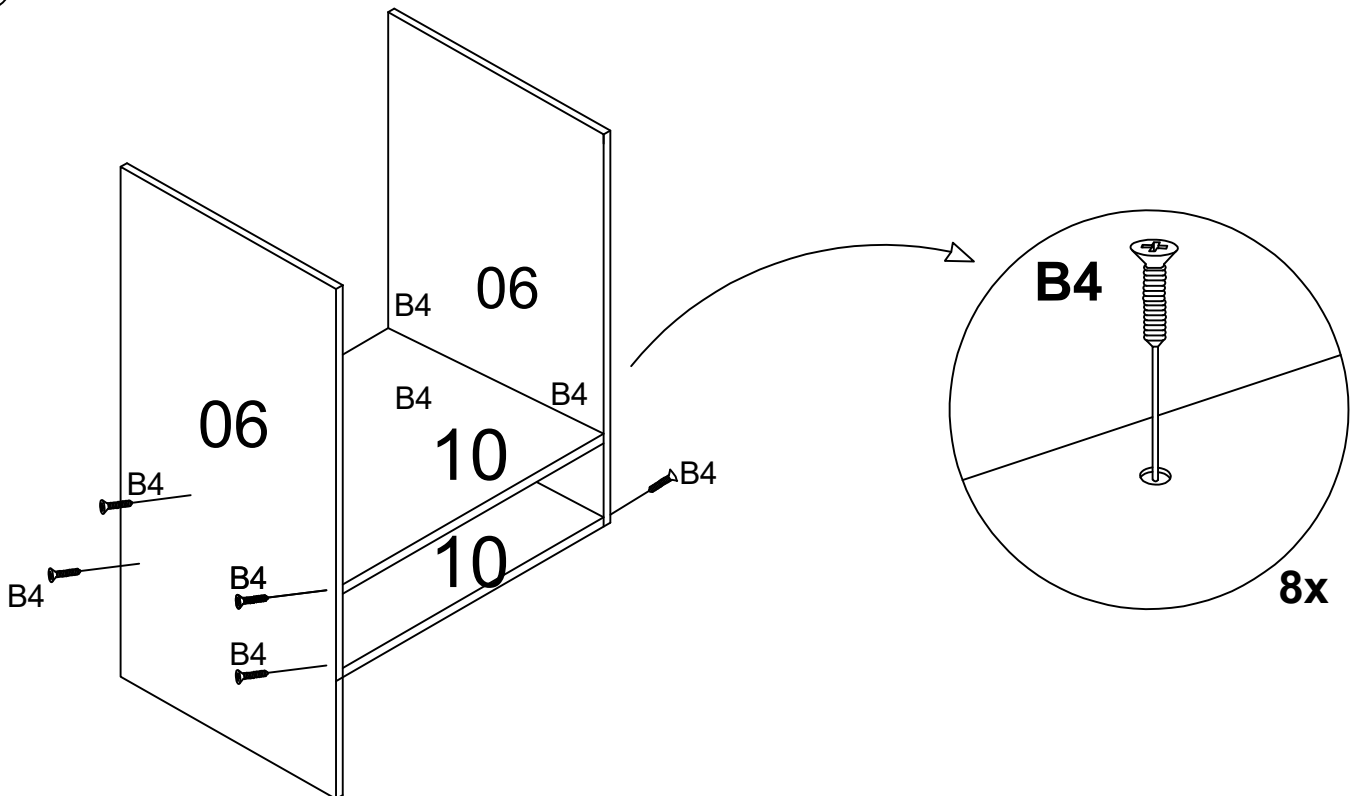
2



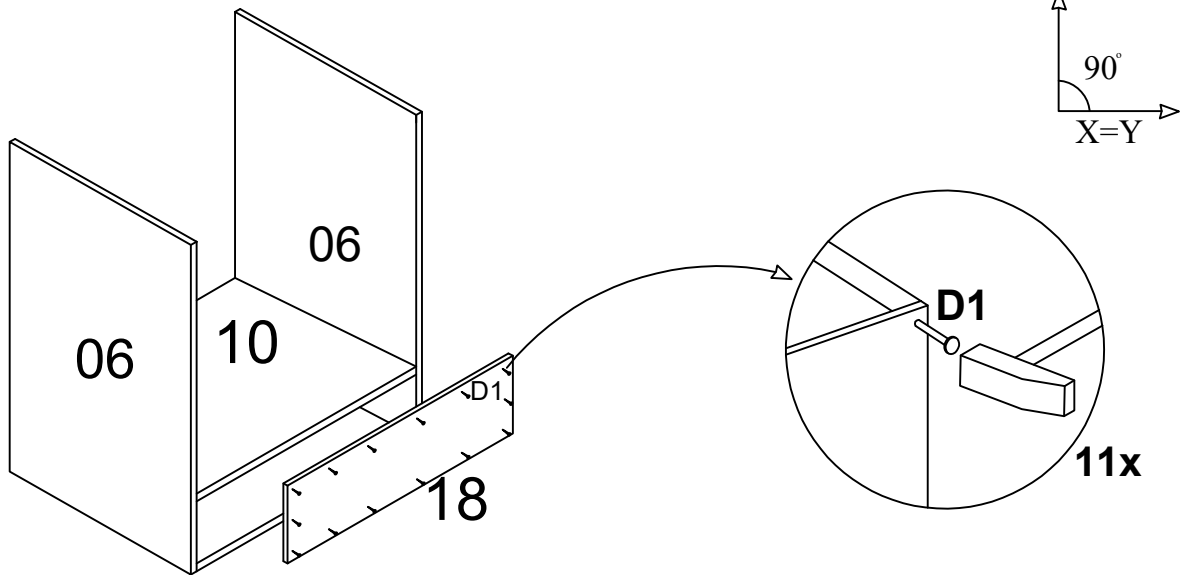
3



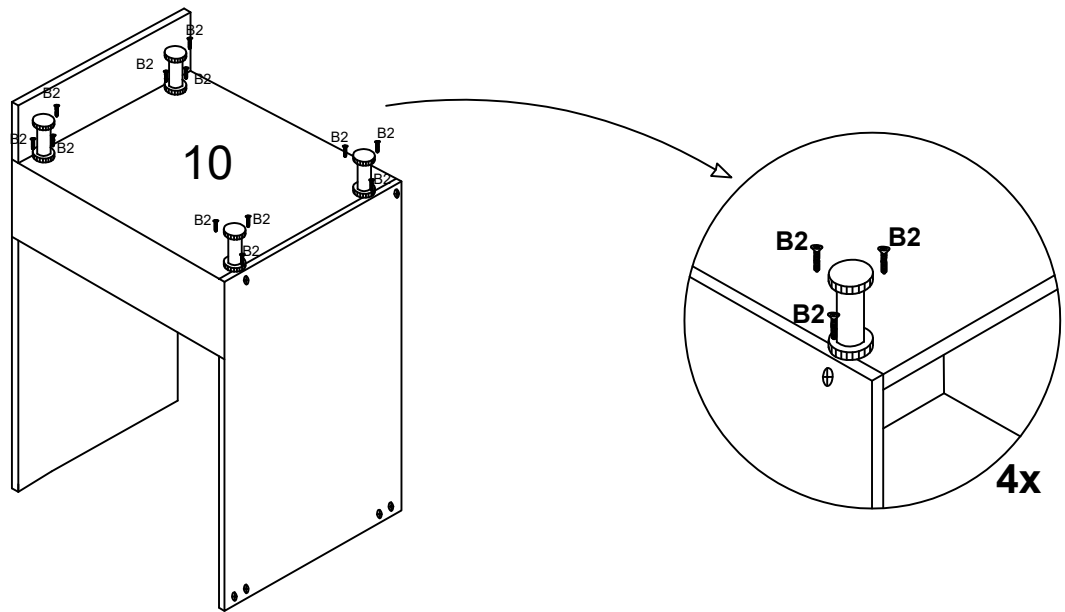
4



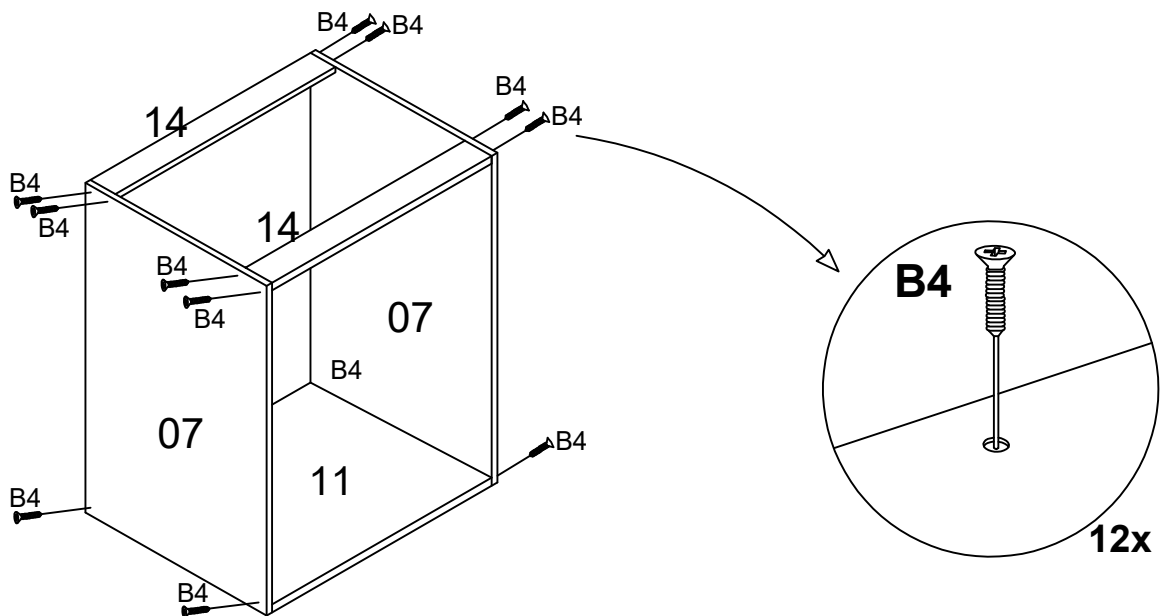
5



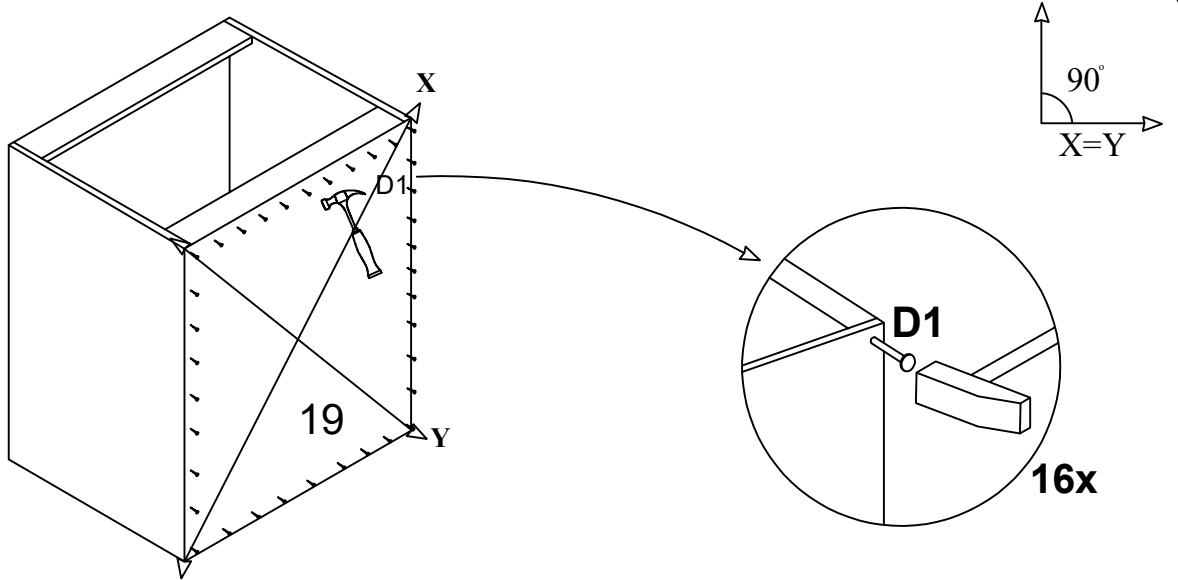
6



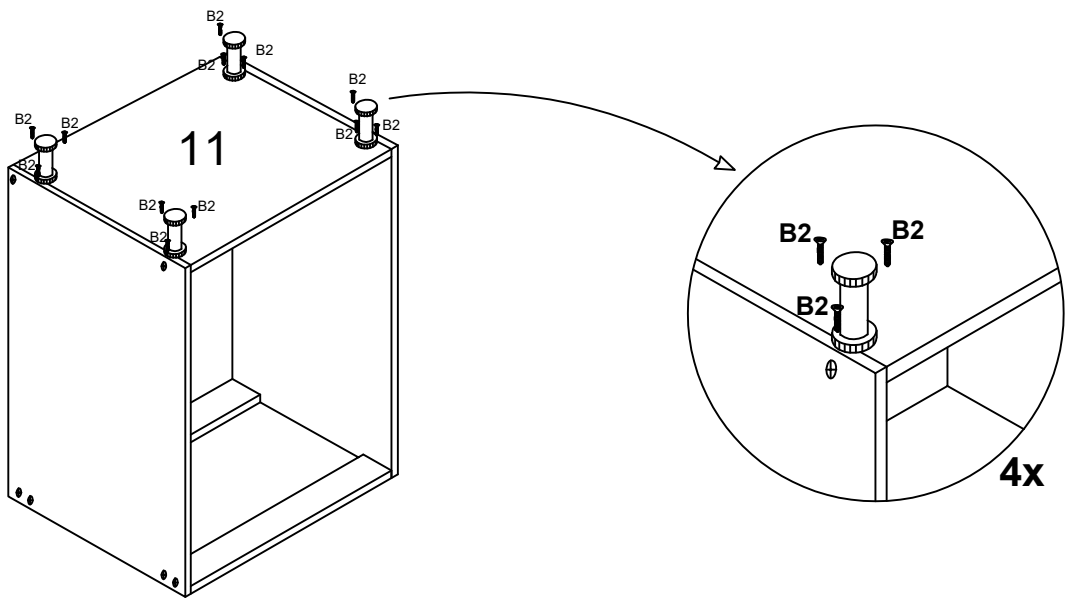
7



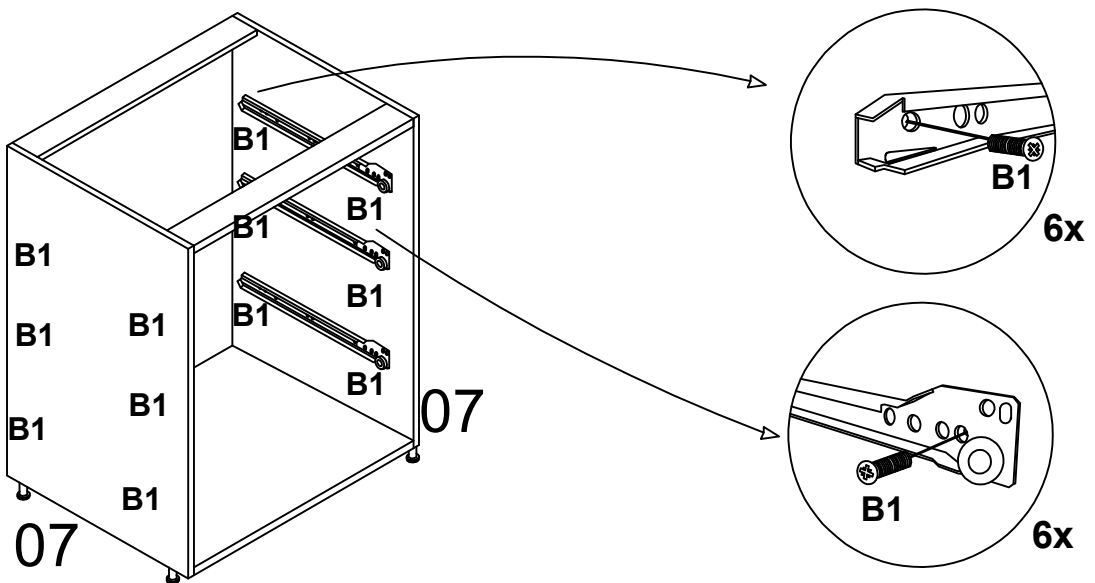
8



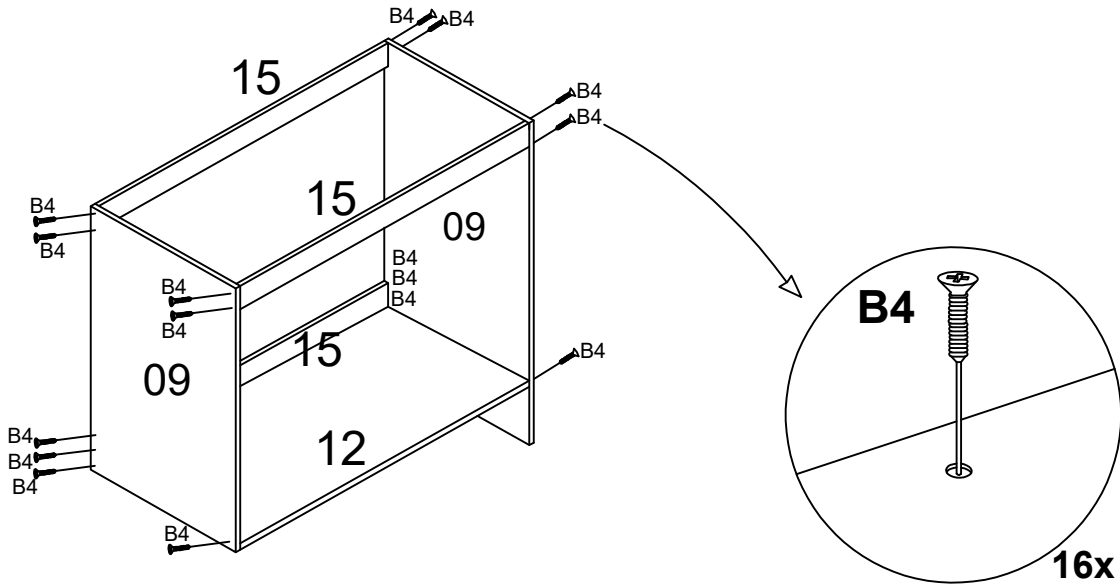
9



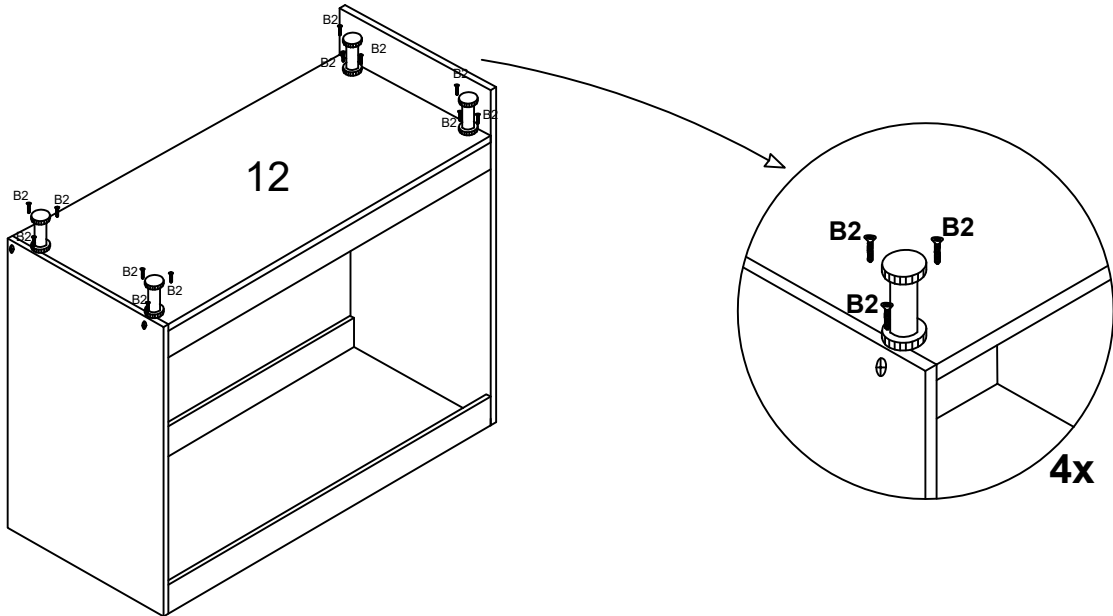
10



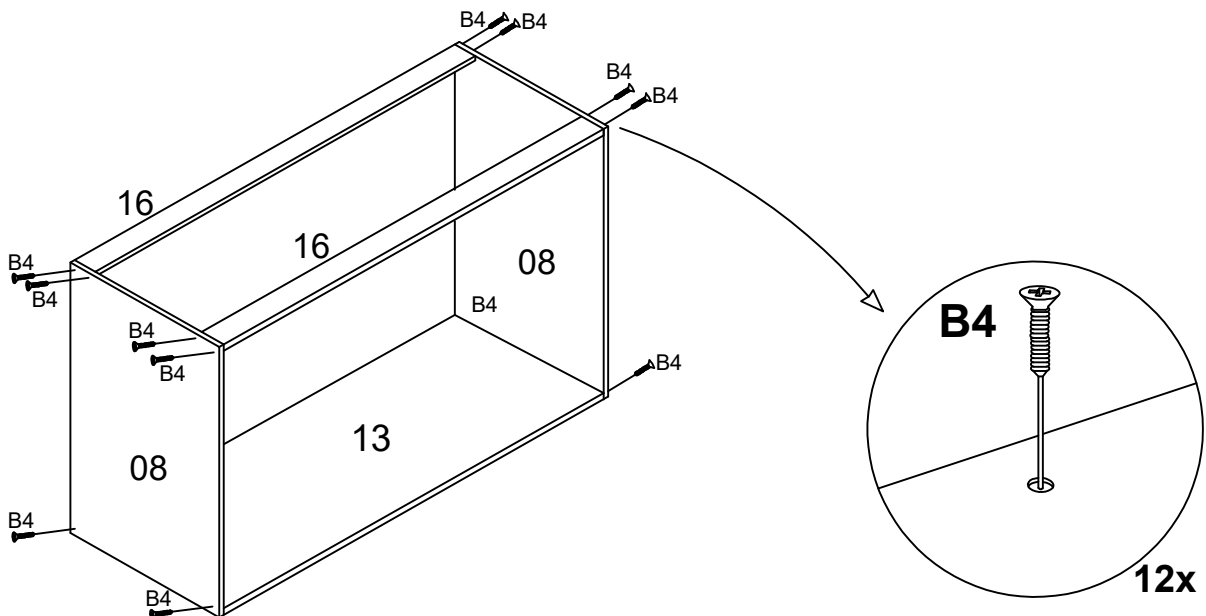
11



12

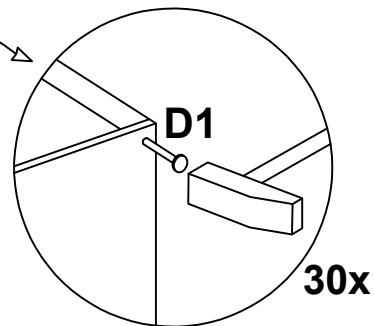
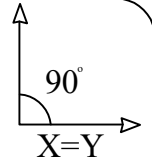
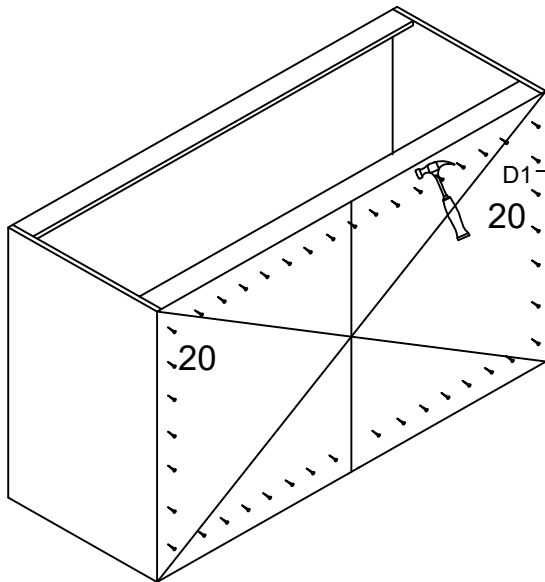


13

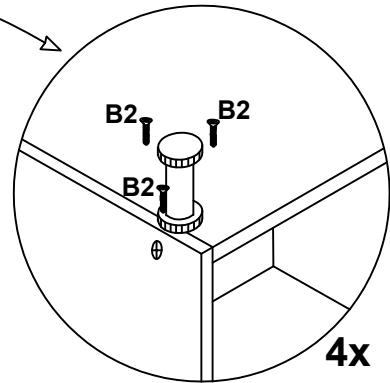
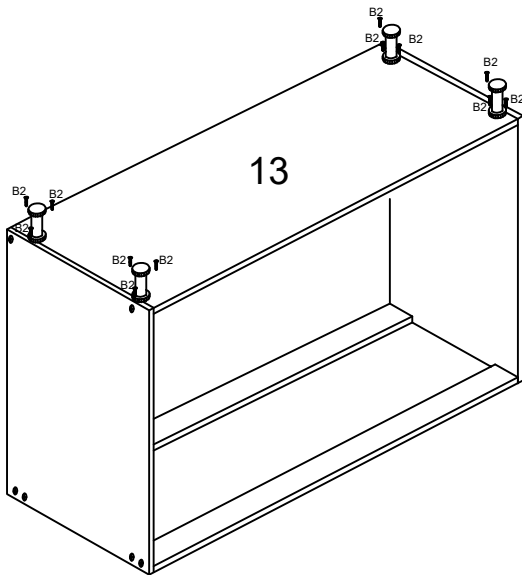




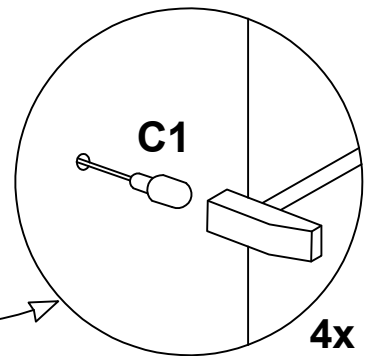
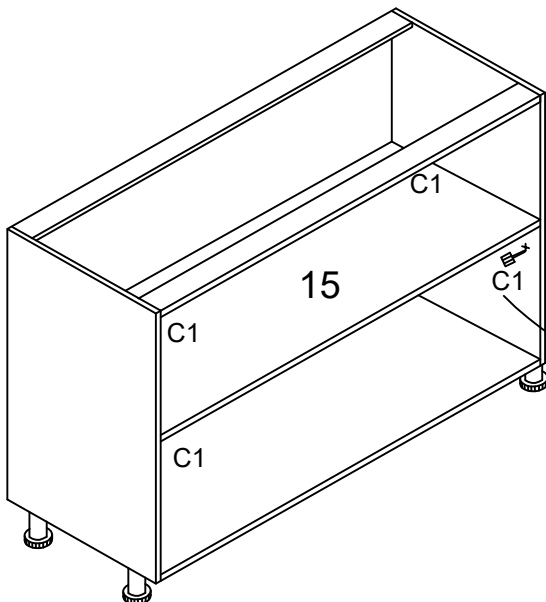
14



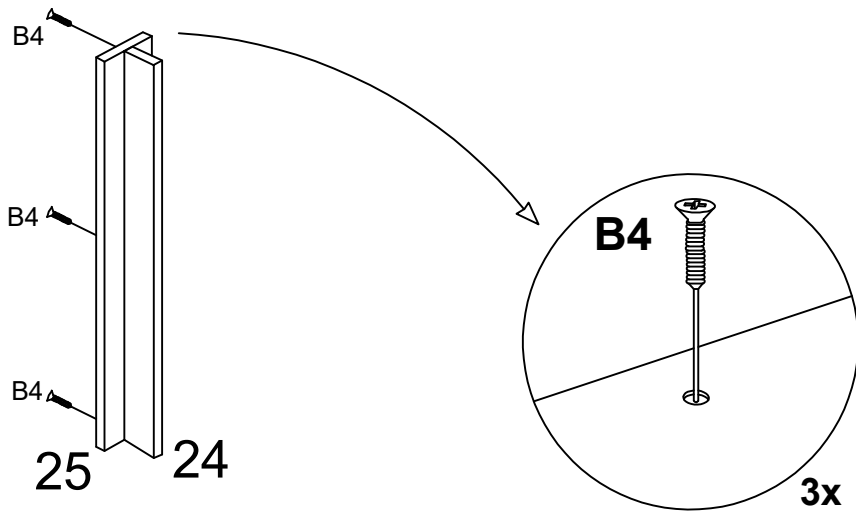
15



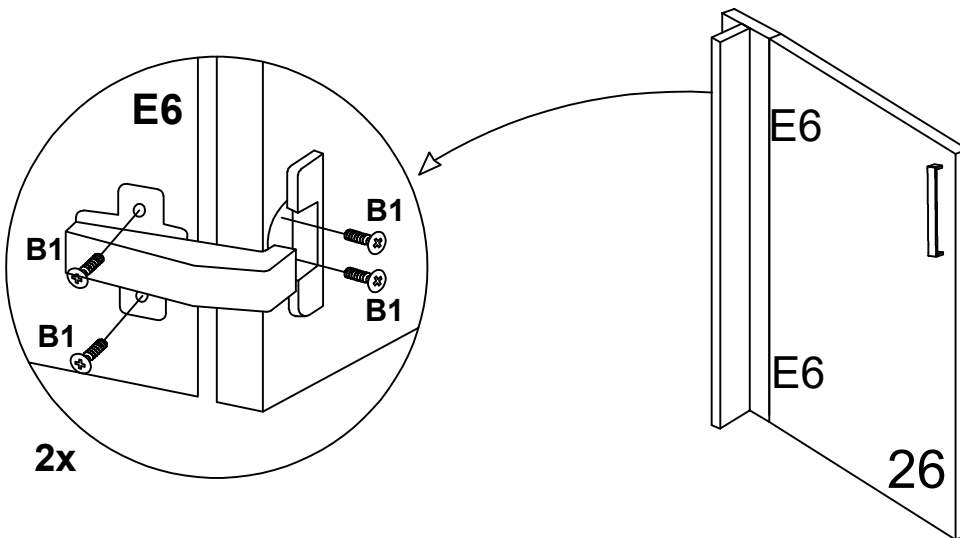
16



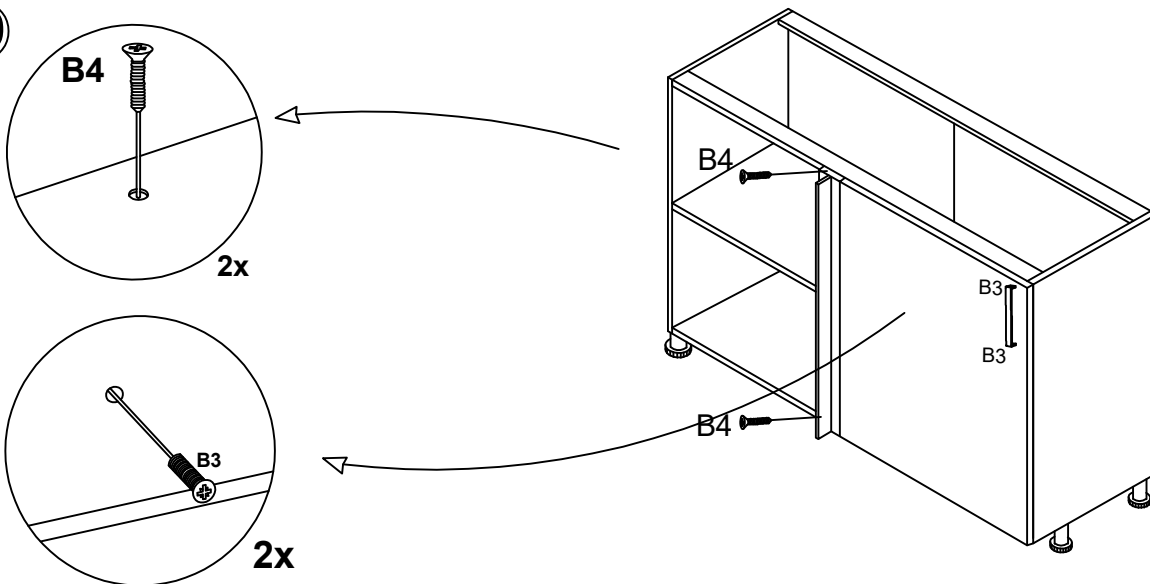
17



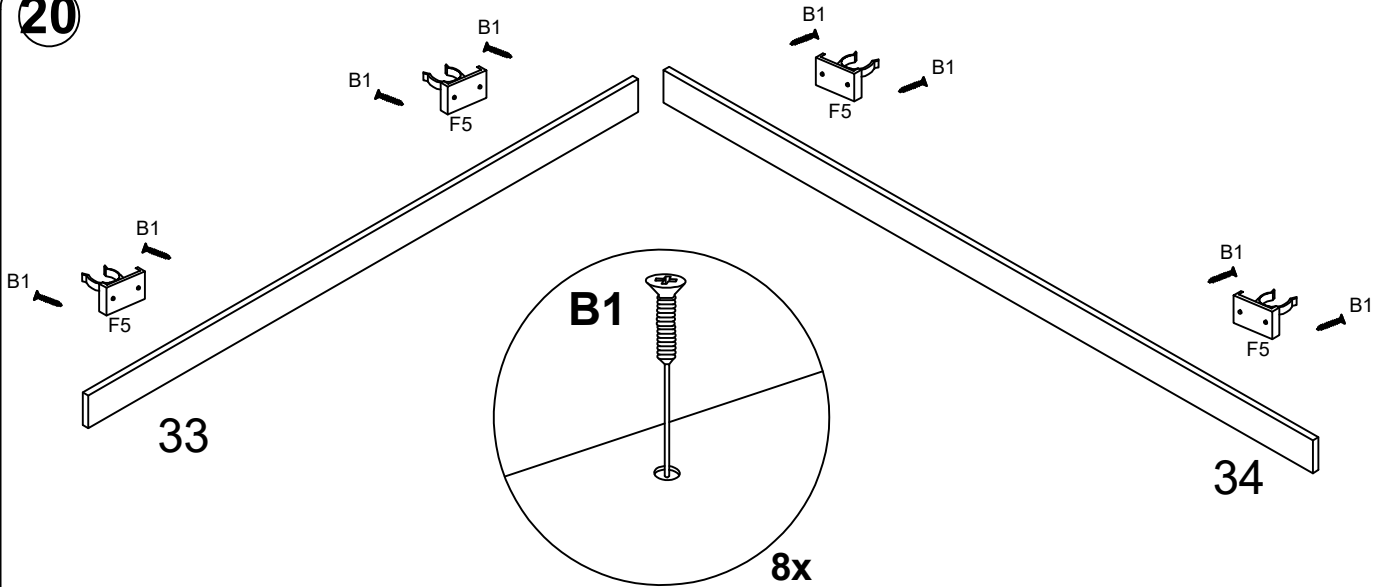
18



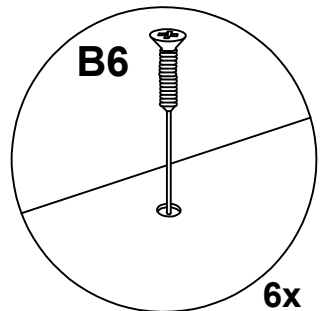
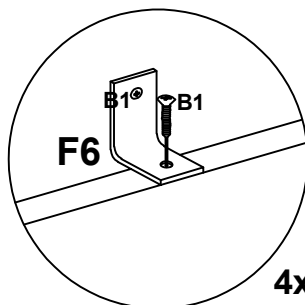
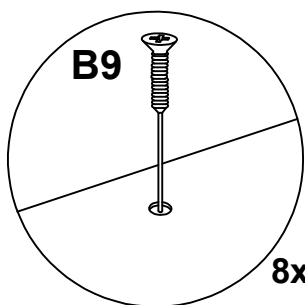
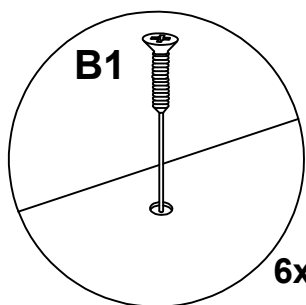
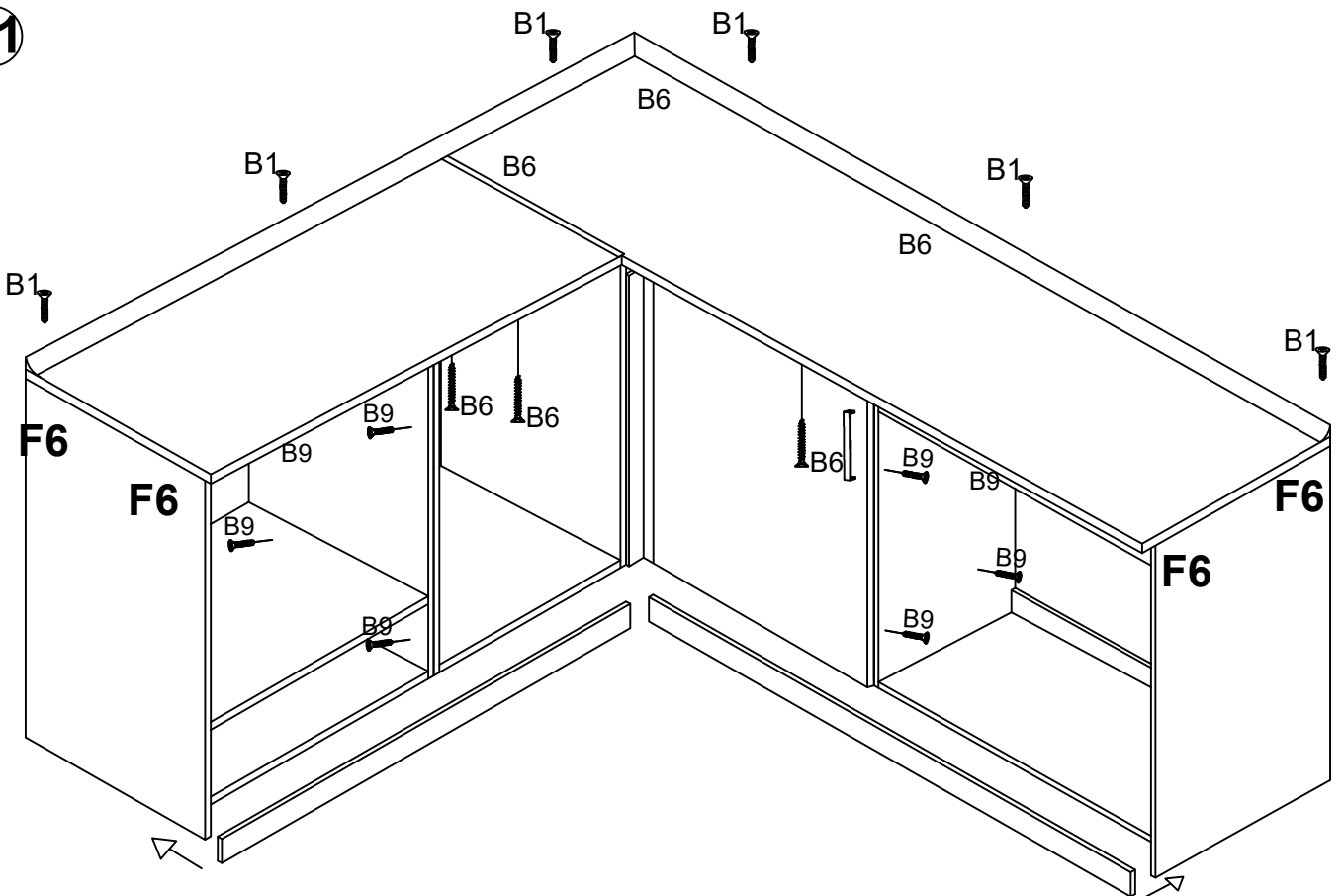
19



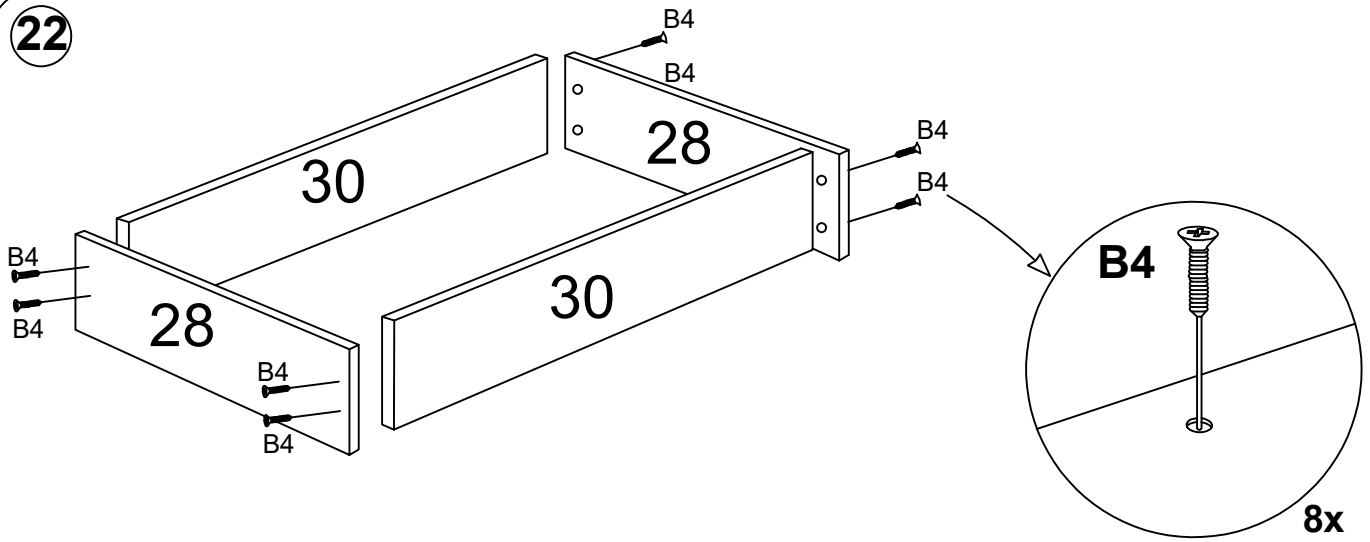
20



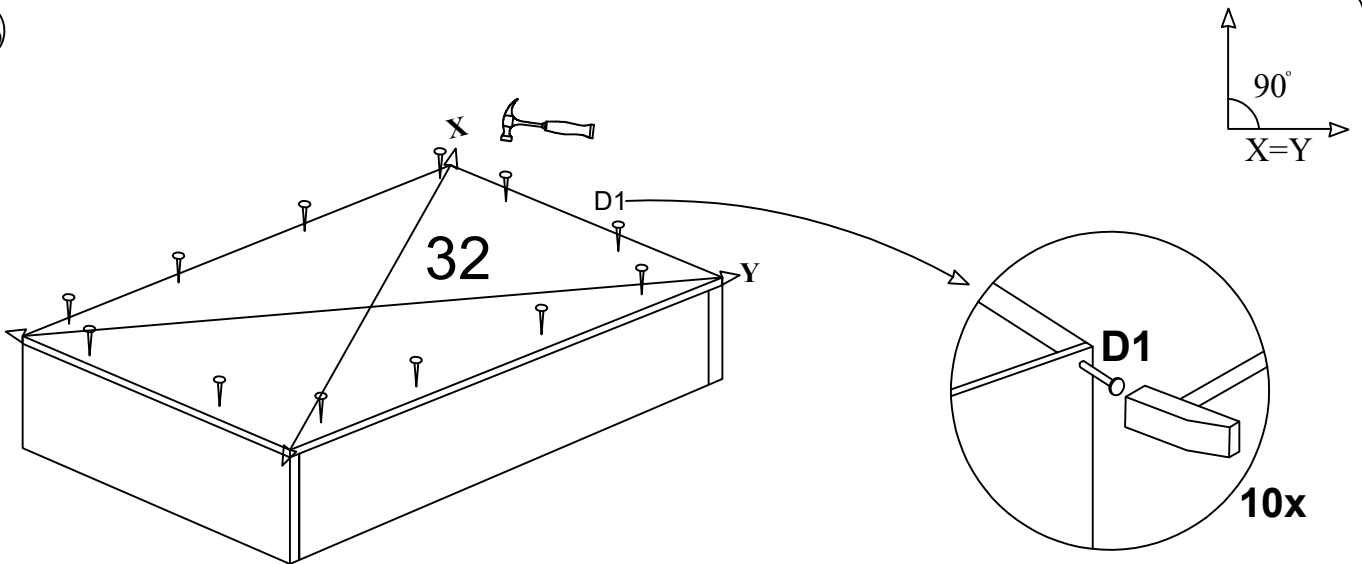
21



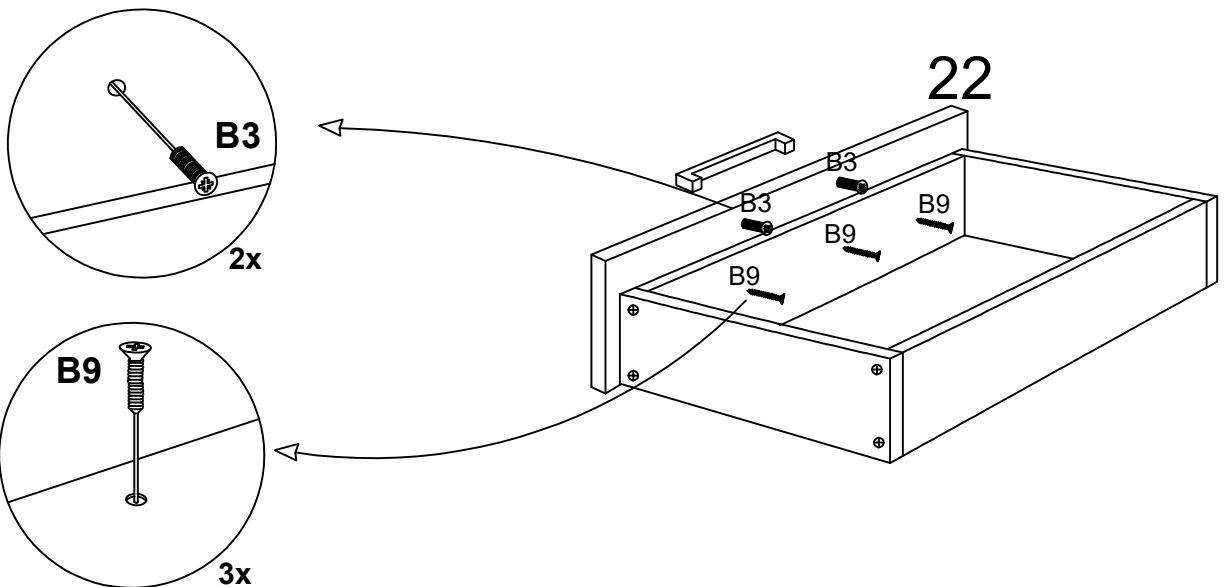
22



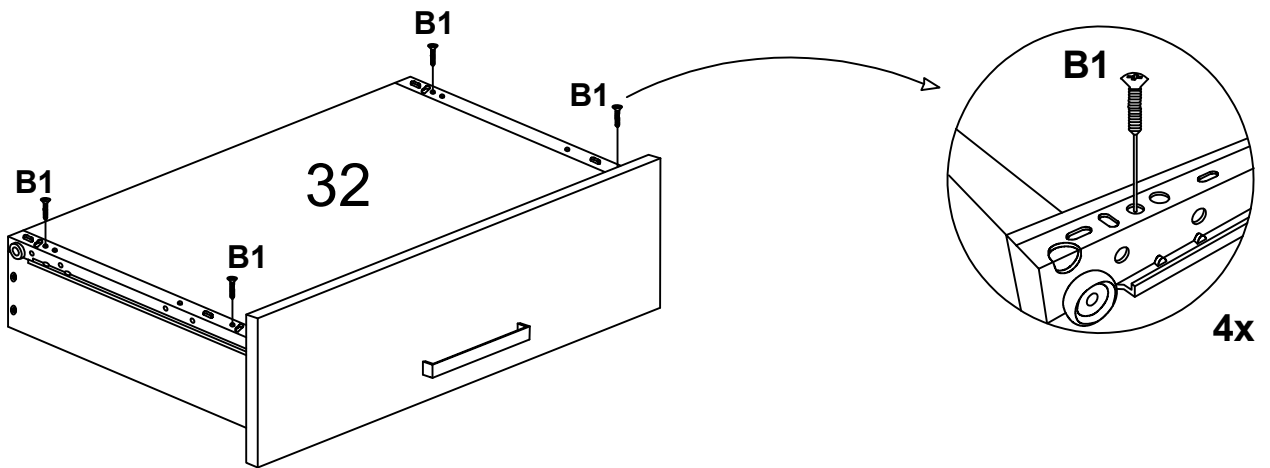
23



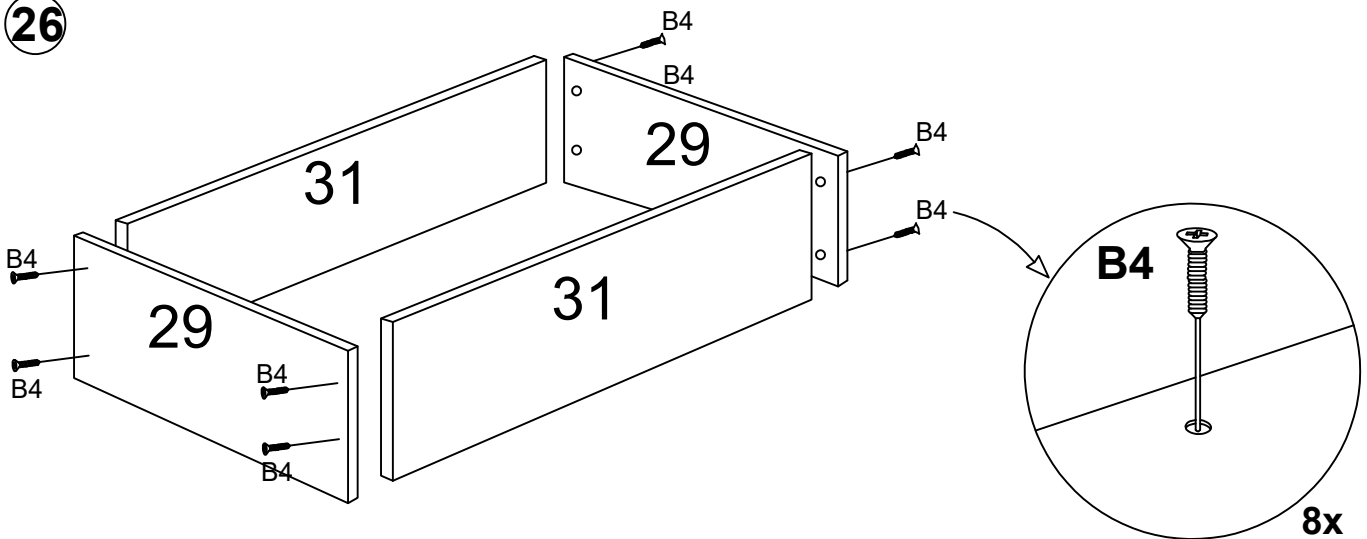
24



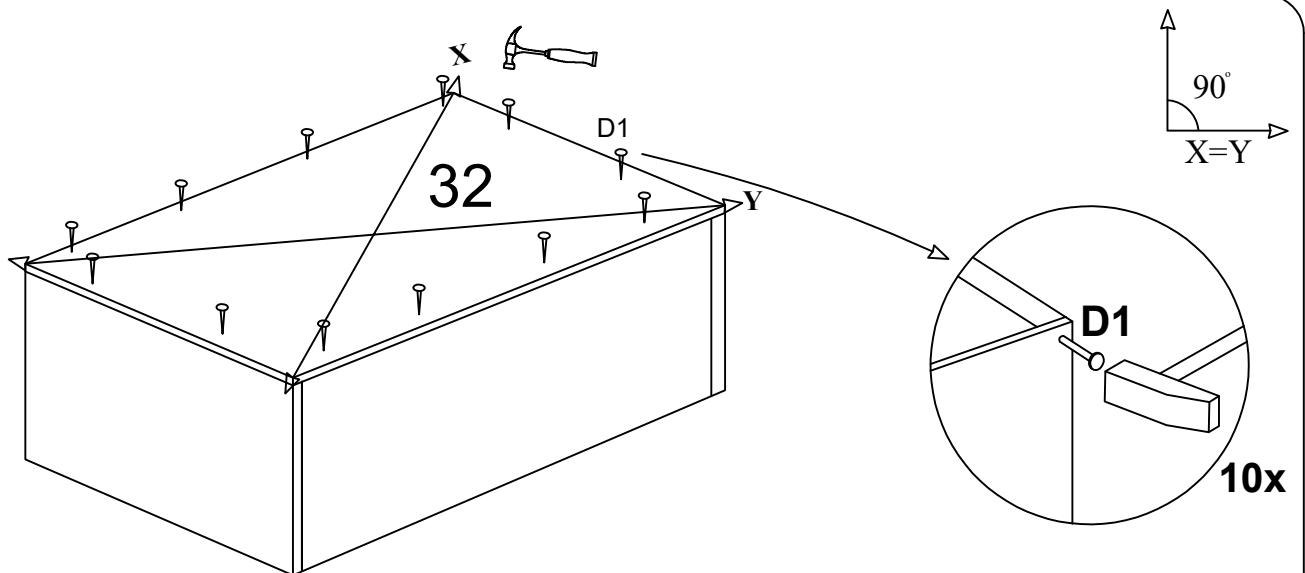
25



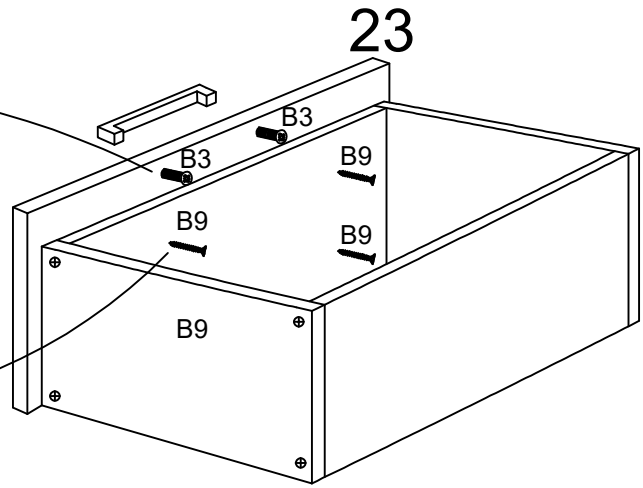
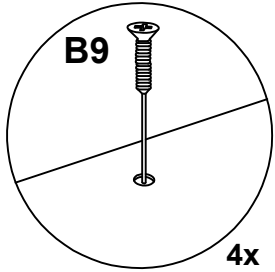
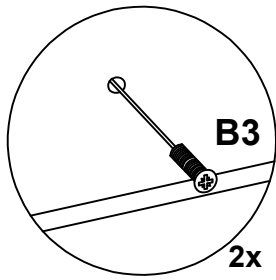
26



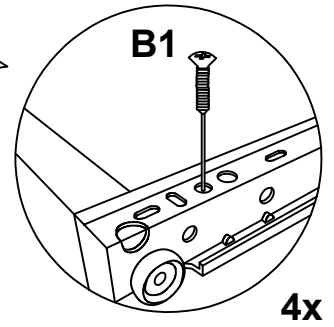
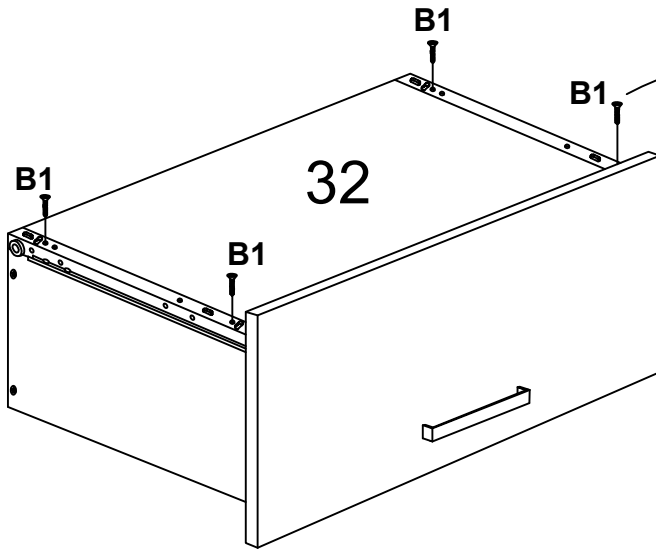
27



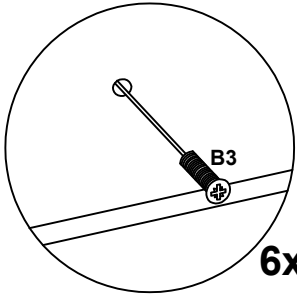
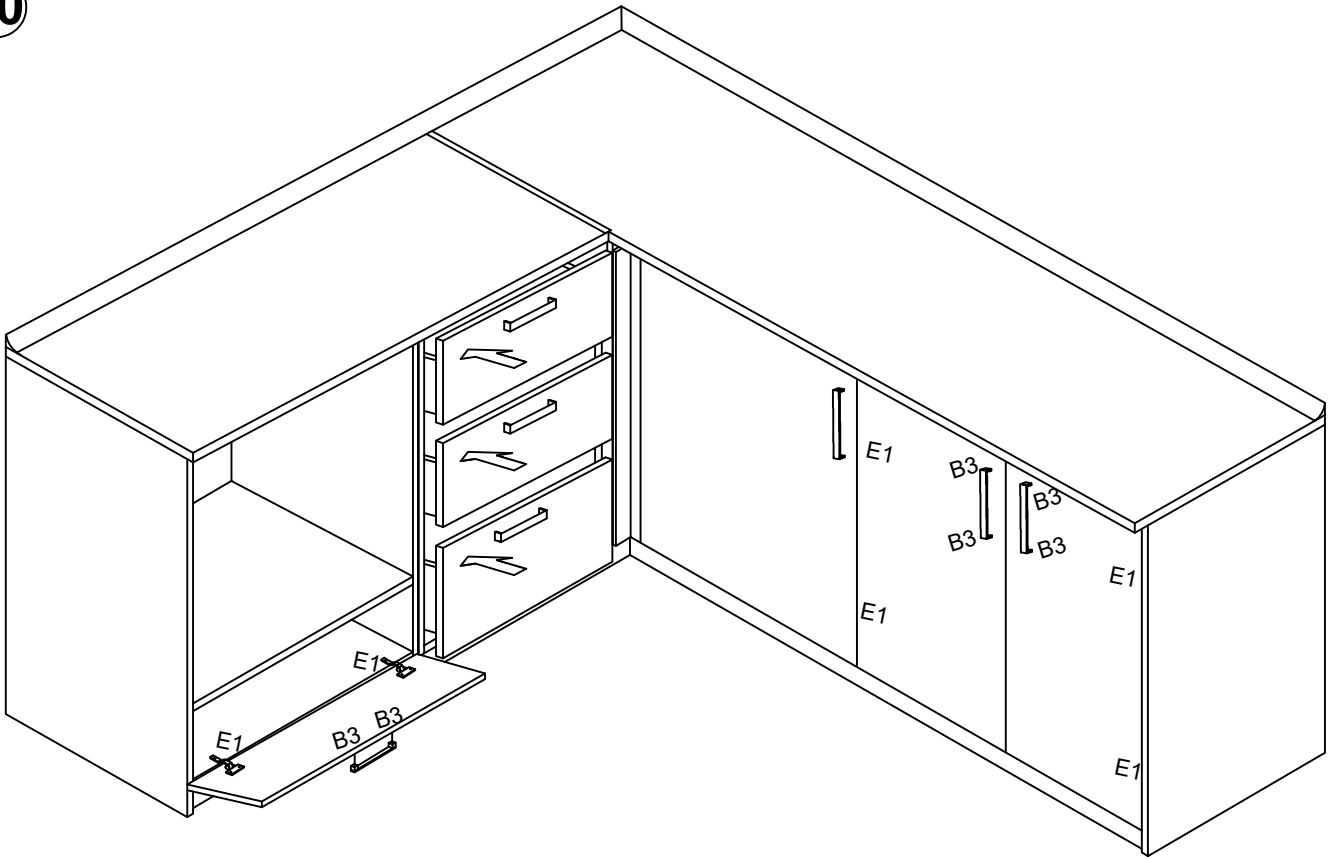
28



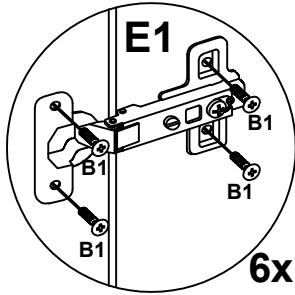
29



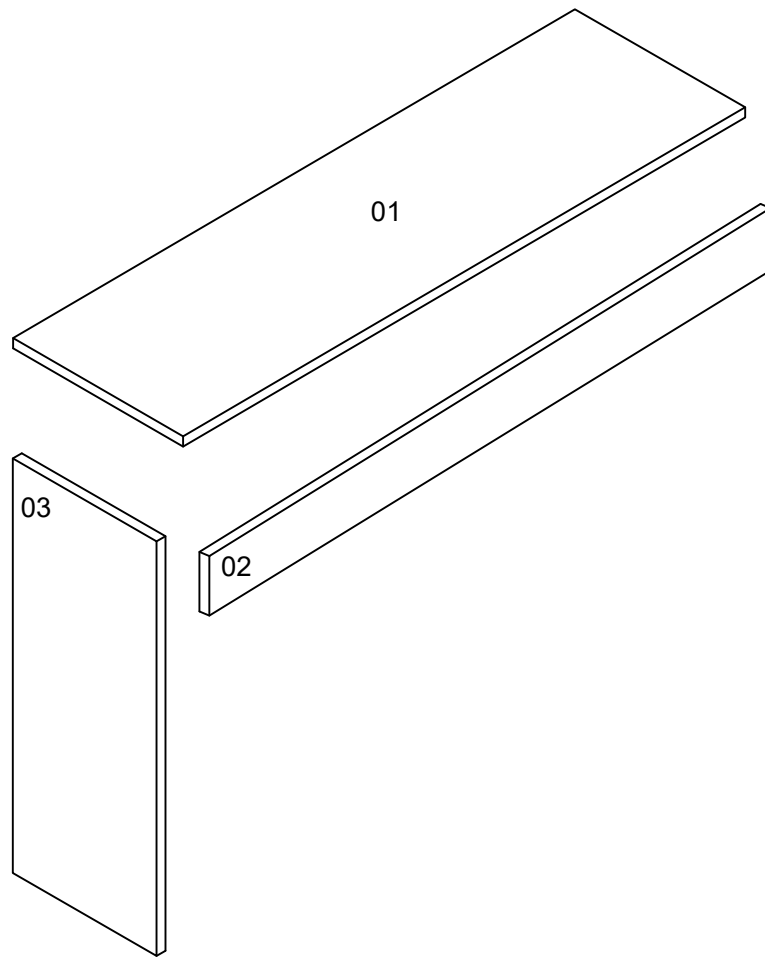
30



6x

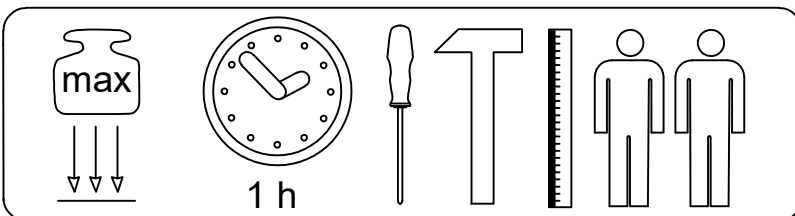


6x



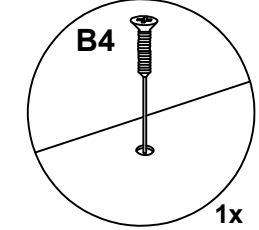
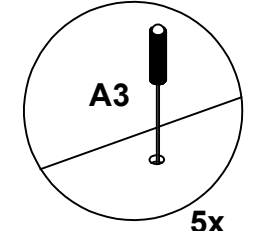
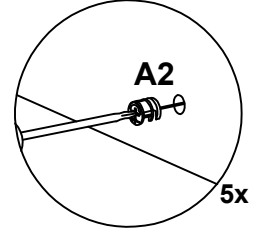
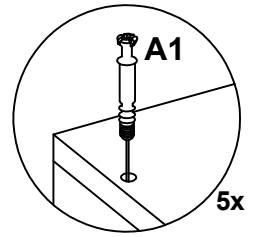
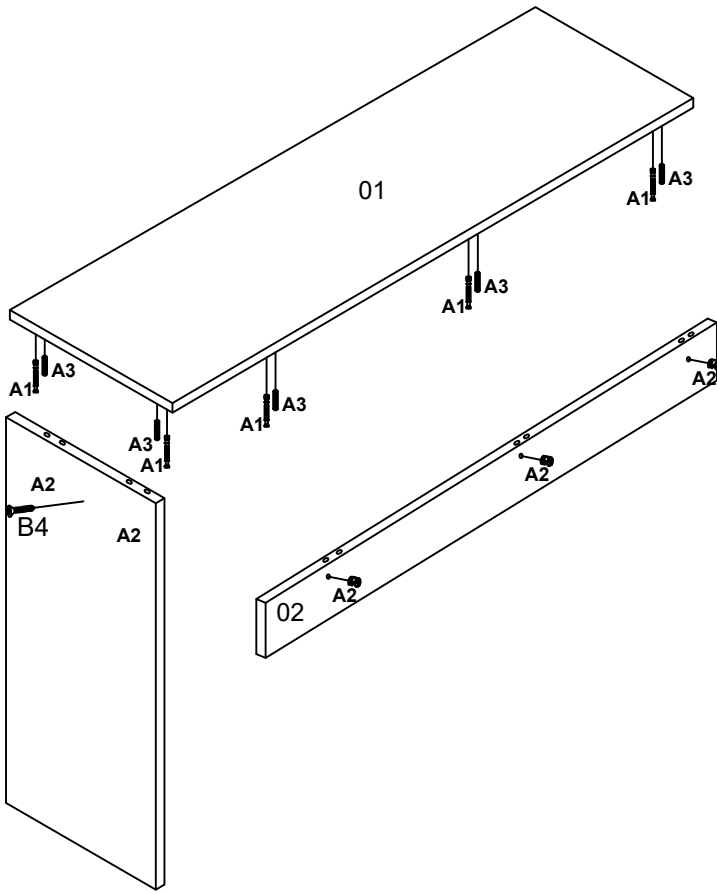
01	1200x500x18 mm	x1	03	982x500x18 mm	x1			
02	1182x100x18 mm	x1						

<b>A1</b>	<b>A2</b>	<b>A3</b>	<b>B1</b> 3,5x18	<b>B4</b> 3,5x50	<b>B9</b> 3,5x30	<b>B11</b> 5x80	<b>F1</b>	<b>F2</b>	<b>F3</b>
5x	5x	5x	4x	1x	4x	2x	2x	2x	2x





1



2

