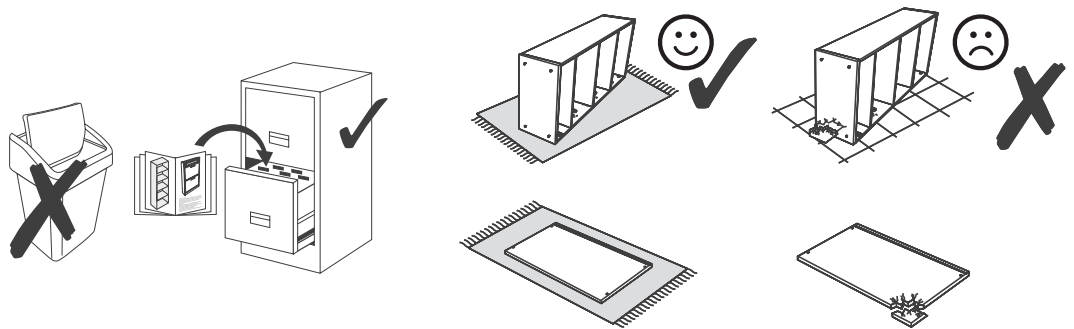
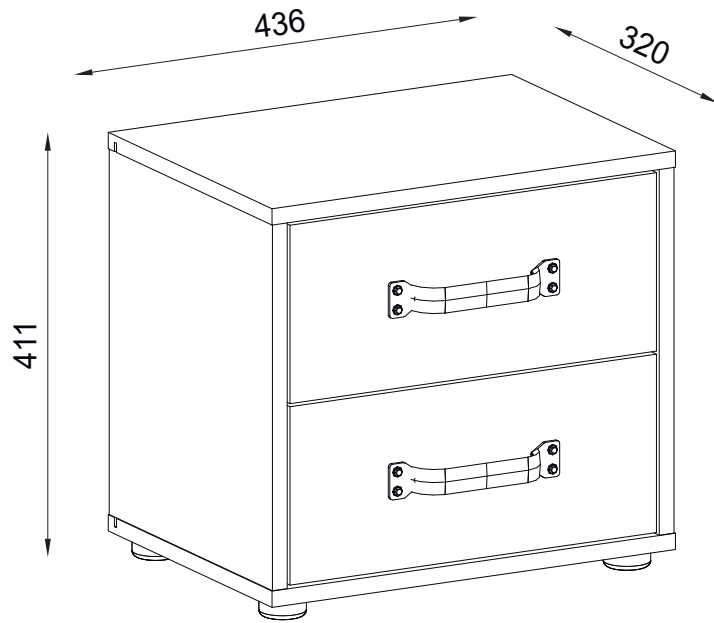
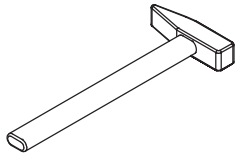
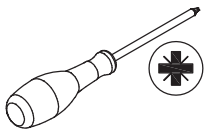
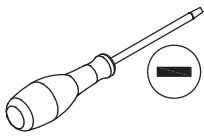
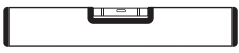
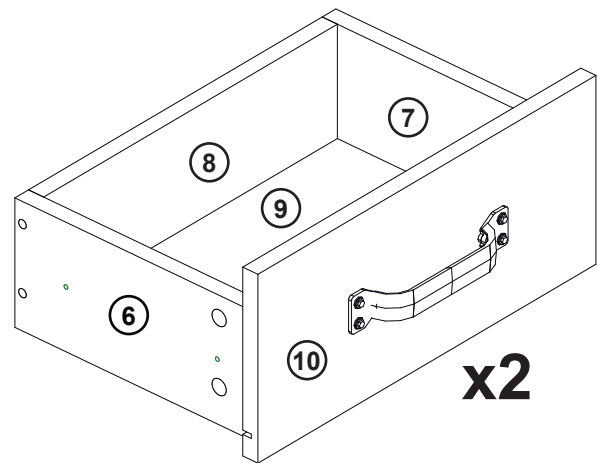
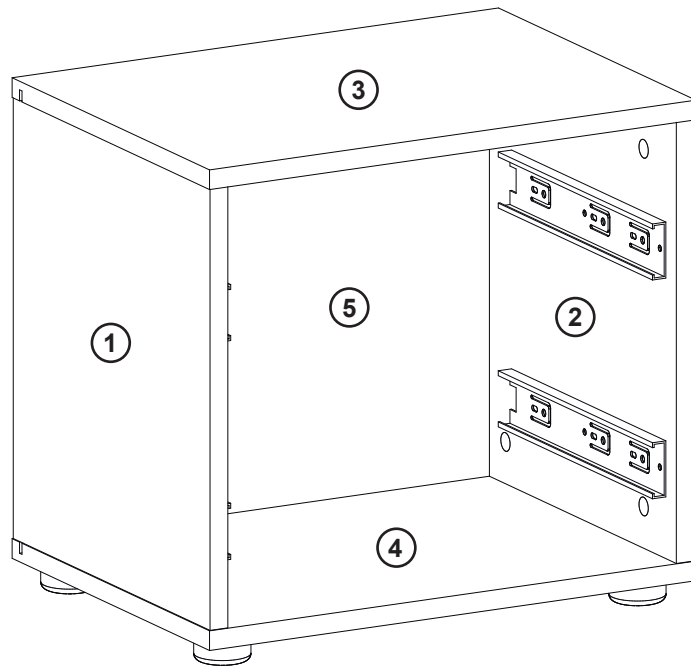
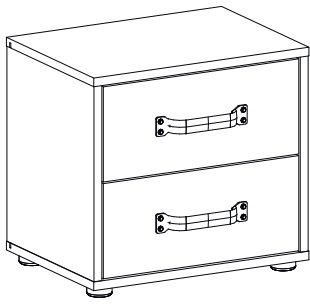


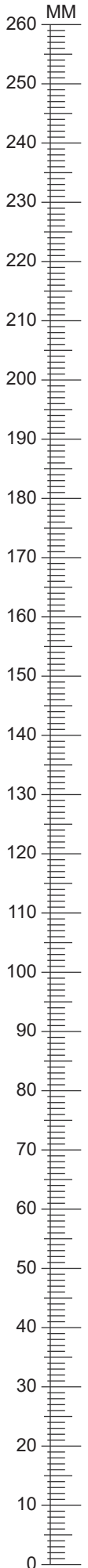
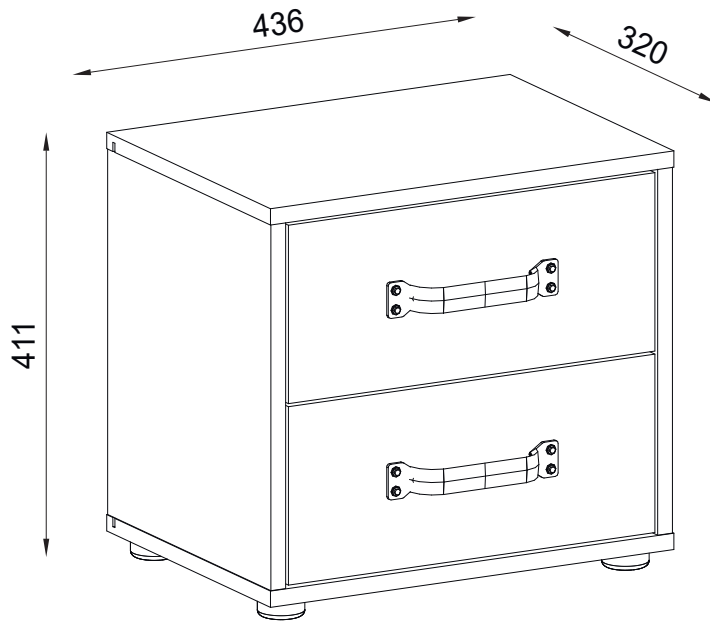


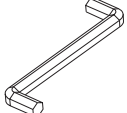
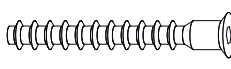
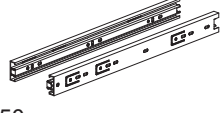
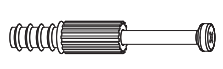











Modell **MO 1**





A	B (mm)		C	D	
1	359	319	16	x1	1/1
2	359	319	16	x1	1/1
3	437	320	16	x1	1/1
4	437	320	16	x1	1/1
5	375	418	2.5	x1	1/1
6	250	120	16	x2	1/1
7	250	120	16	x2	1/1
8	345	106	16	x2	1/1
9	360	258	2.5	x2	1/1
10	397	175	16	x2	1/1



1x  4mm <b>z1</b>	12x  Ø 6,3x50mm <b>e27</b>	2x  L=250mm <b>n2</b>
12x  45mm <b>r23</b>	12x  Ø 15x12mm <b>r1</b>	8x  Ø 8x30mm <b>f1</b>
8x  Ø 20mm <b>s1</b>	8x  Ø 5x13mm <b>e1</b>	4x  Ø 4,2x16mm <b>p21</b>
8x  Ø 3x16mm <b>p50</b>	2x  L=184mm <b>c241</b>	4x  20x45x45mm <b>k43</b>
4x  Ø 4,2x25mm <b>p25</b>	4x  Ø 4x25mm <b>p26</b>	4x  10x10x15mm <b>l2</b>

# 1

f1 x 8



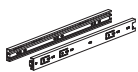
Ø 8x30mm

r1 x 4



Ø 15x12mm

n2 x 2

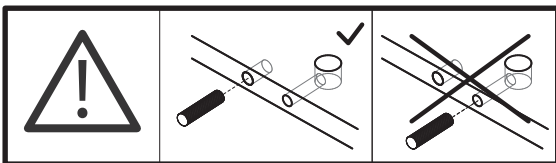
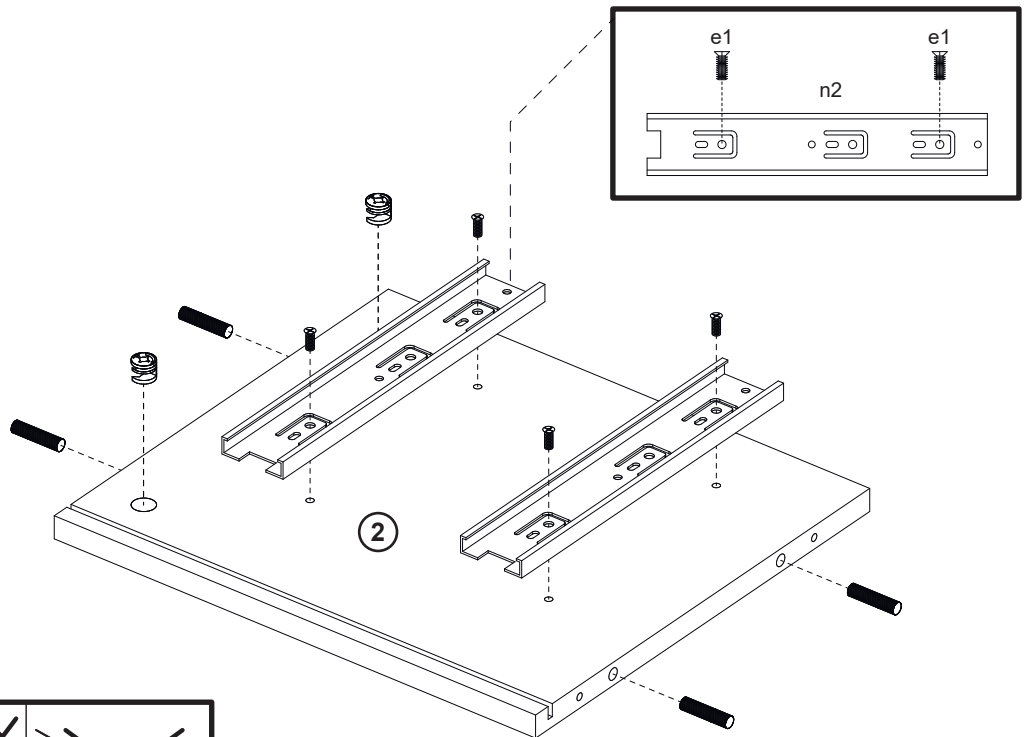
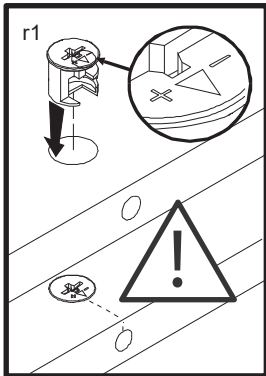
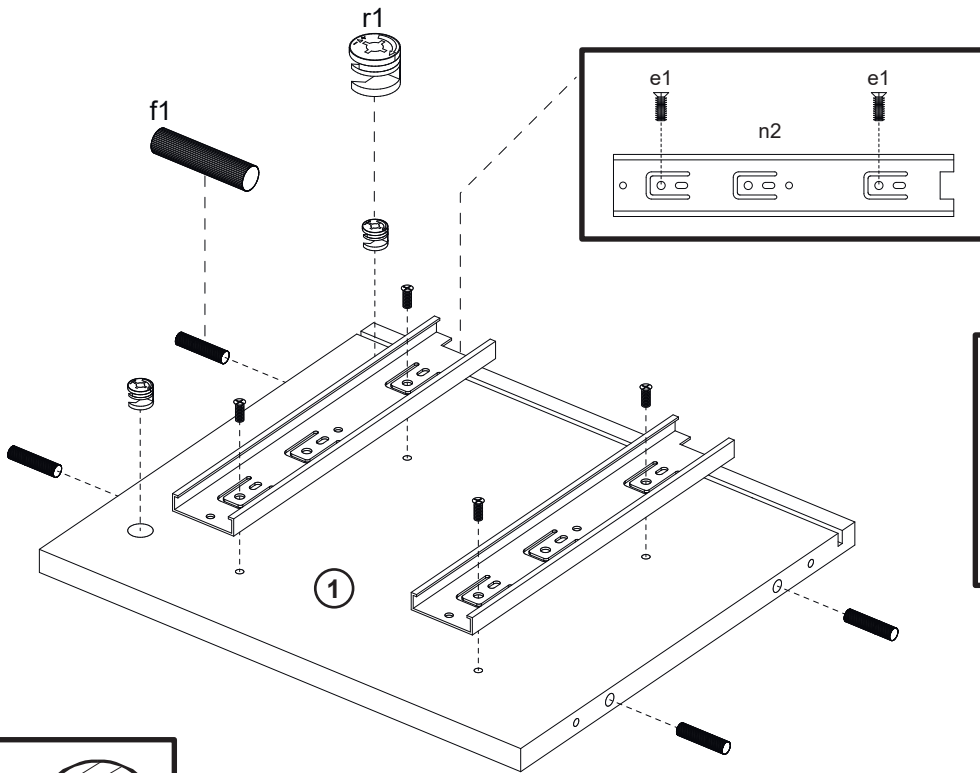


L=250mm

e1 x 8



Ø 5x13mm

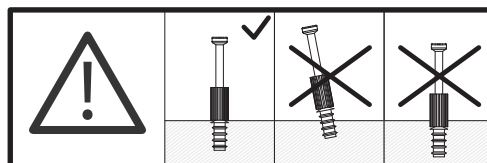
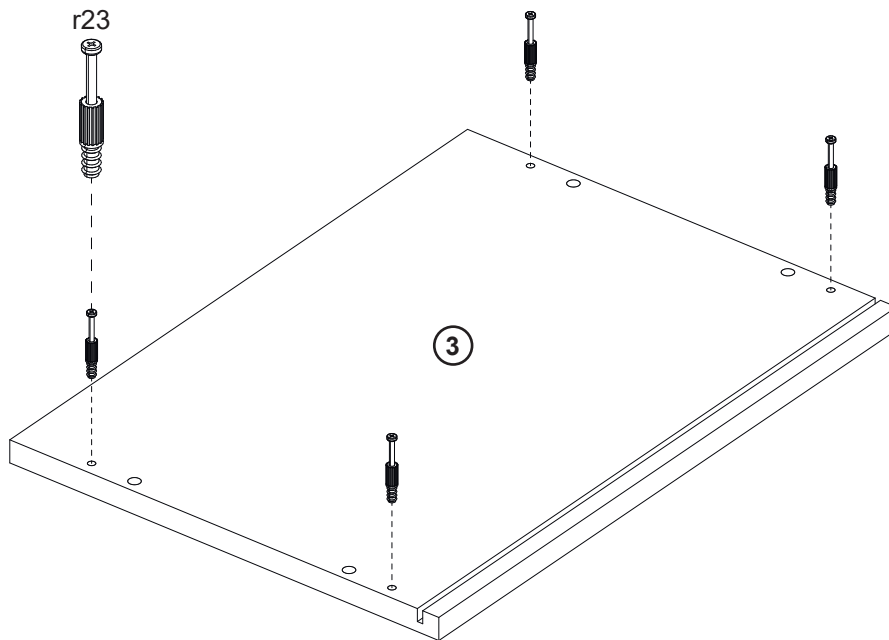
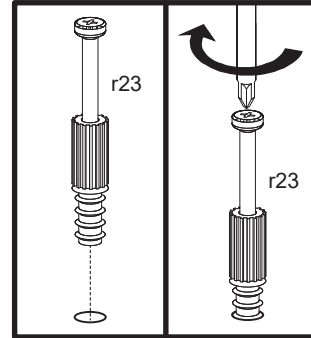


# 2

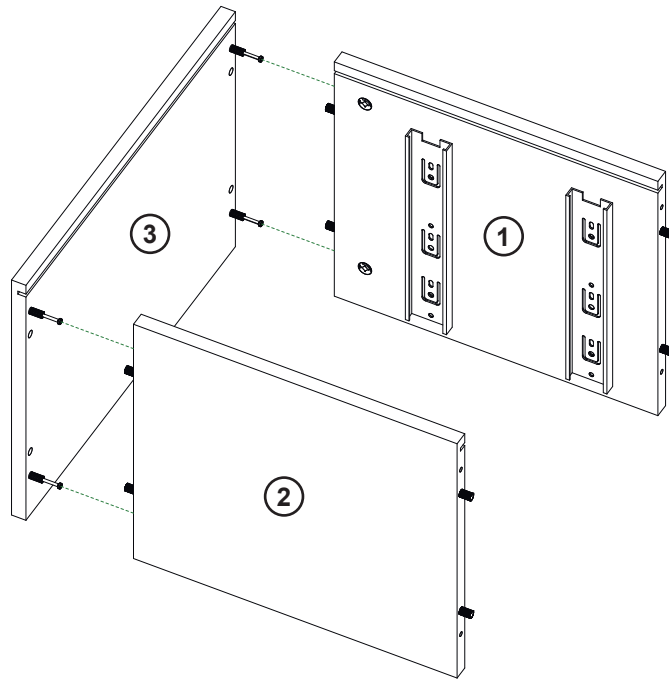
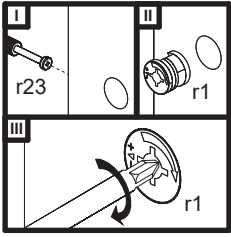
r23 x 4



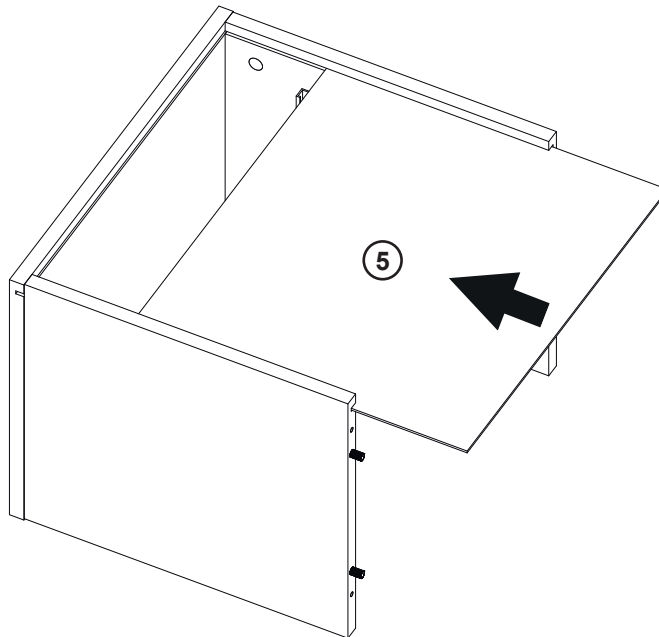
45mm



3



4



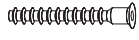
# 5

z1 x 1

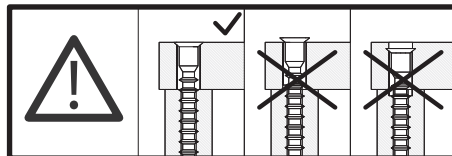
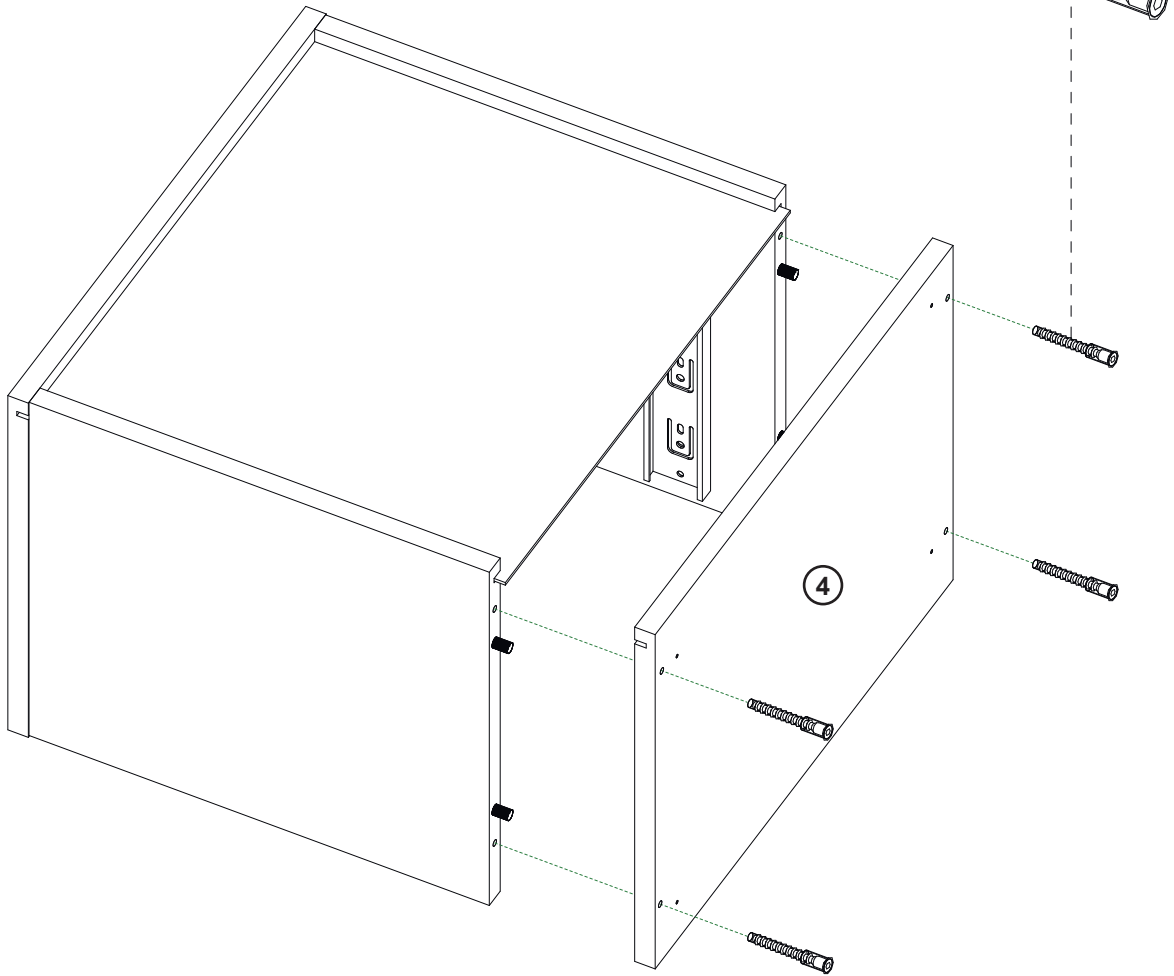
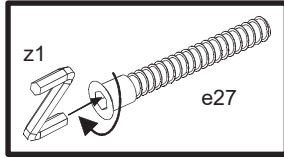


4mm

e27 x 4



Ø 6,3x50mm



# 6

k43 x 4



25x45x45mm

p25 x 4

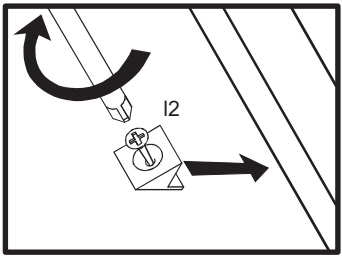
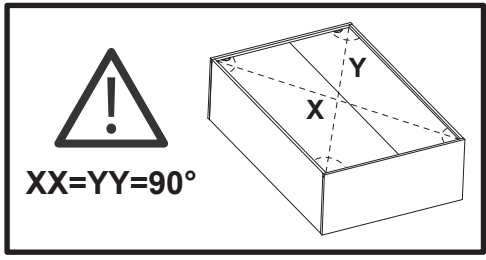
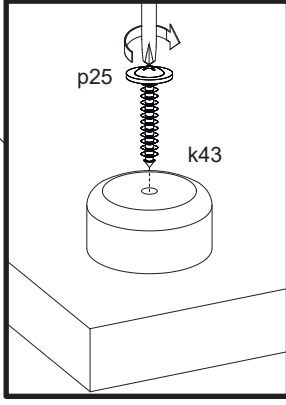
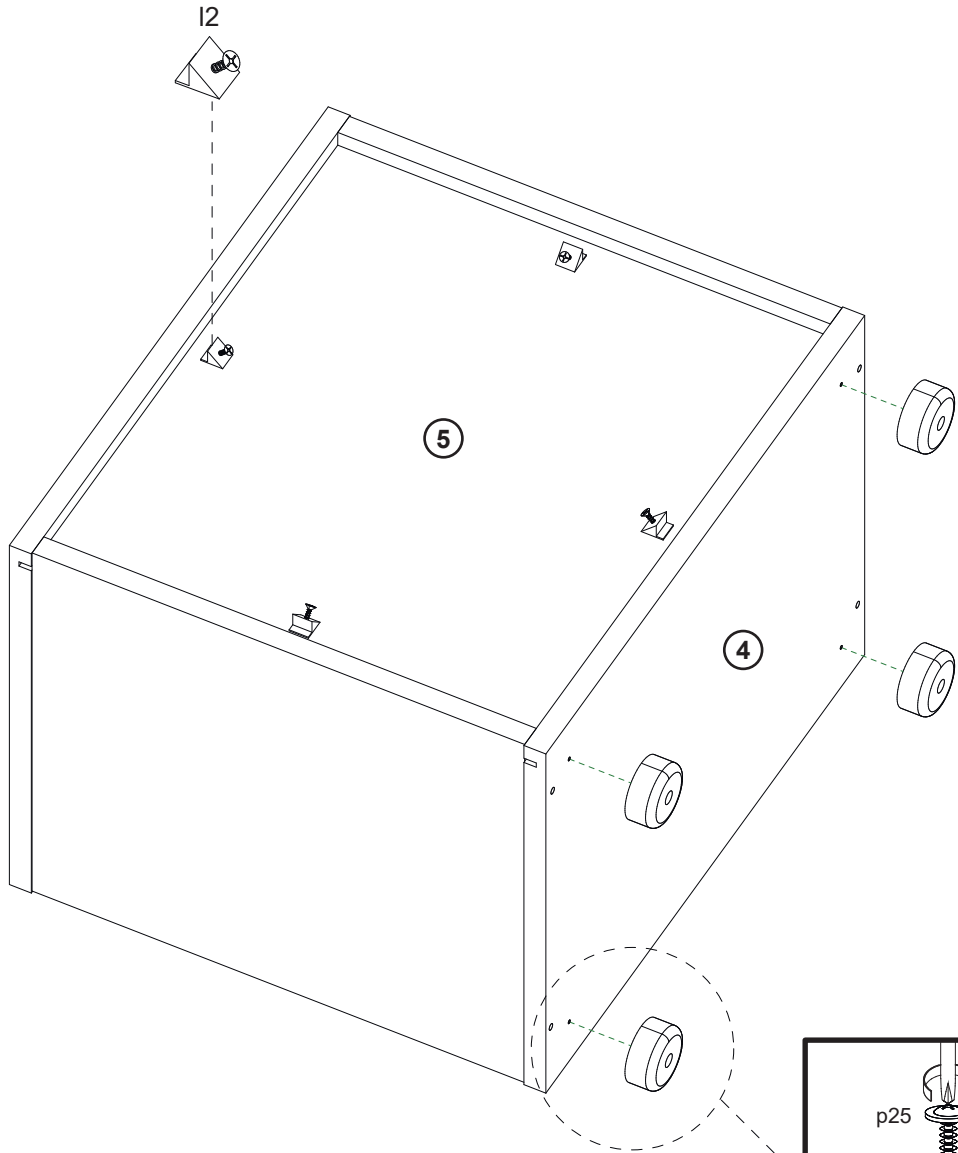


Ø 4,2x25mm

l2 x 4



10x10x15mm





# 7

z1 x 1  
4mm

e27 x 8  
Ø 6,3x50mm

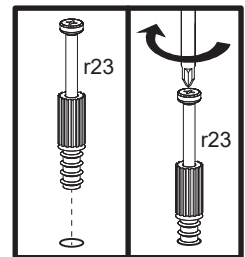
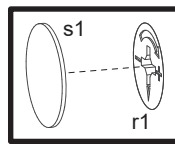
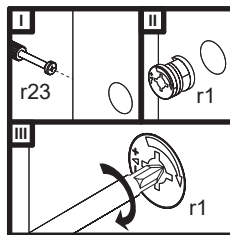
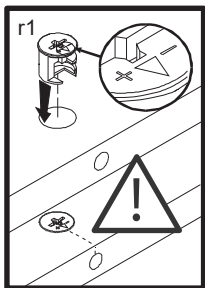
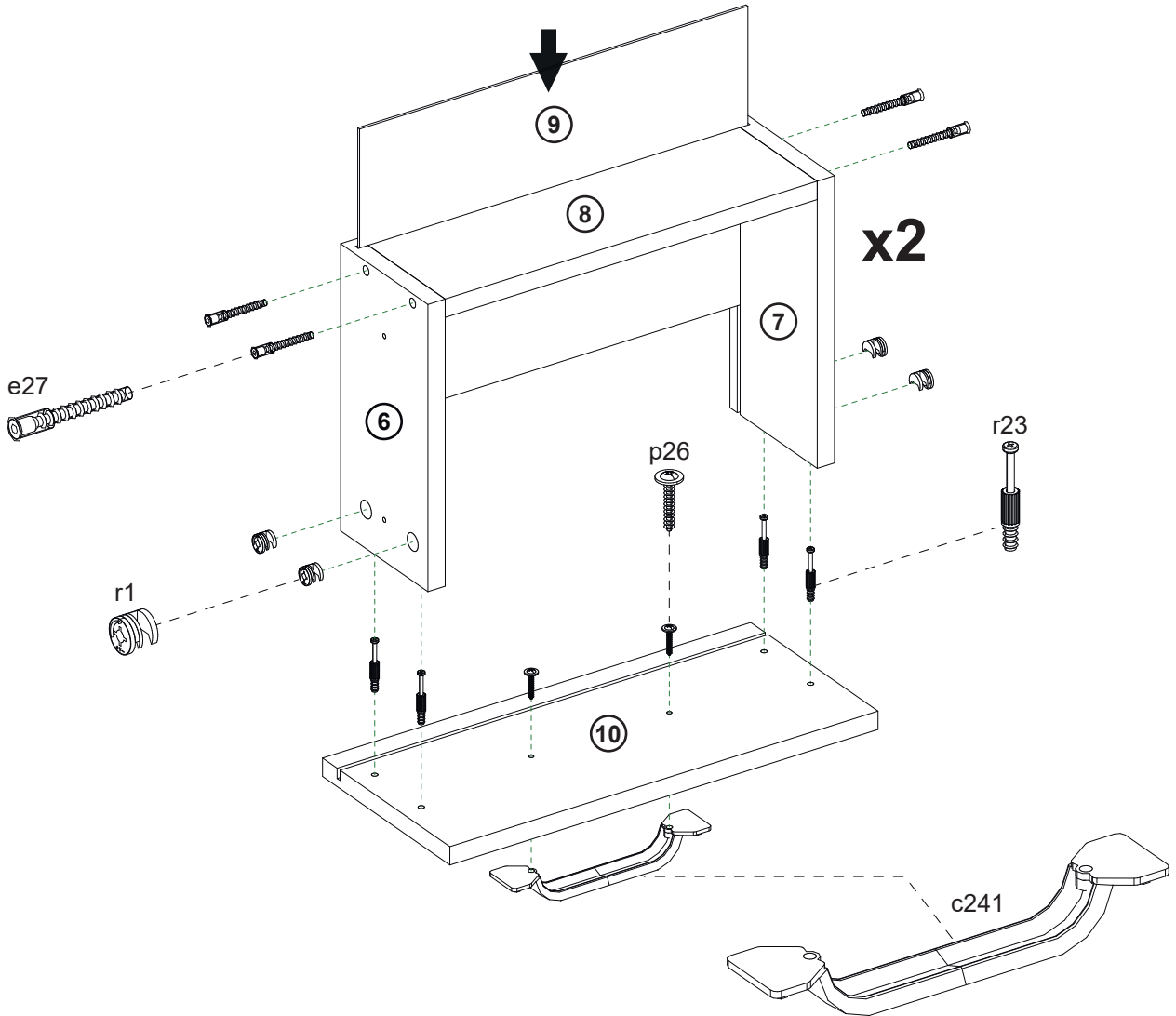
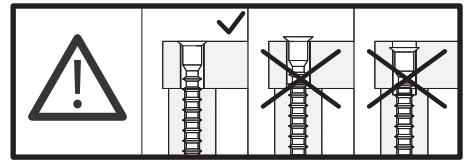
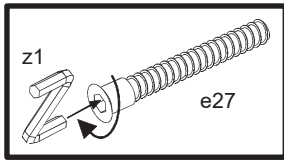
r23 x 8  
45mm

r1 x 8  
Ø 15x12mm

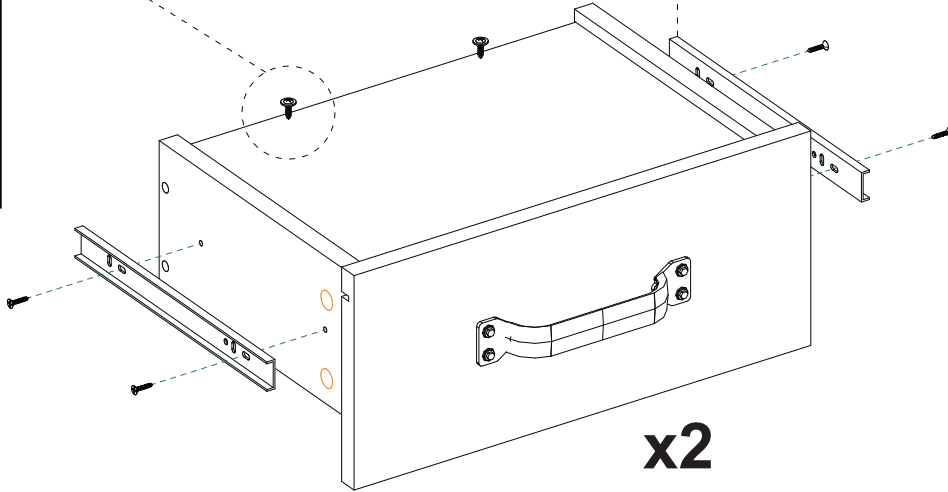
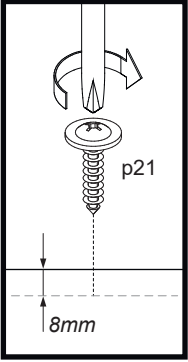
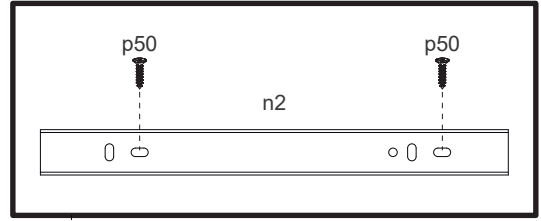
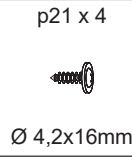
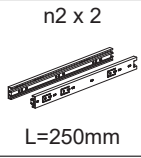
s1 x 8  
Ø 20mm

p26 x 4  
Ø 4x25mm

c241 x 2  
L=184mm



# 8



# 9

