

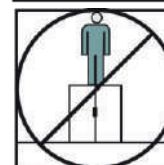
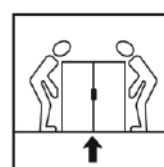
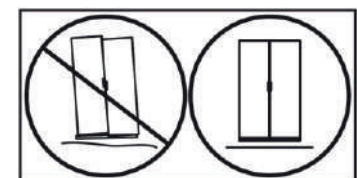
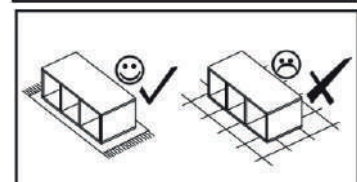
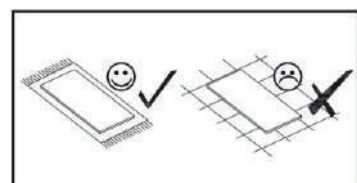
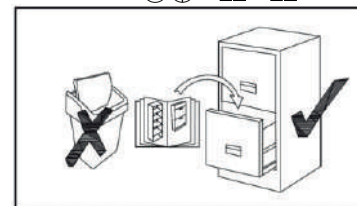
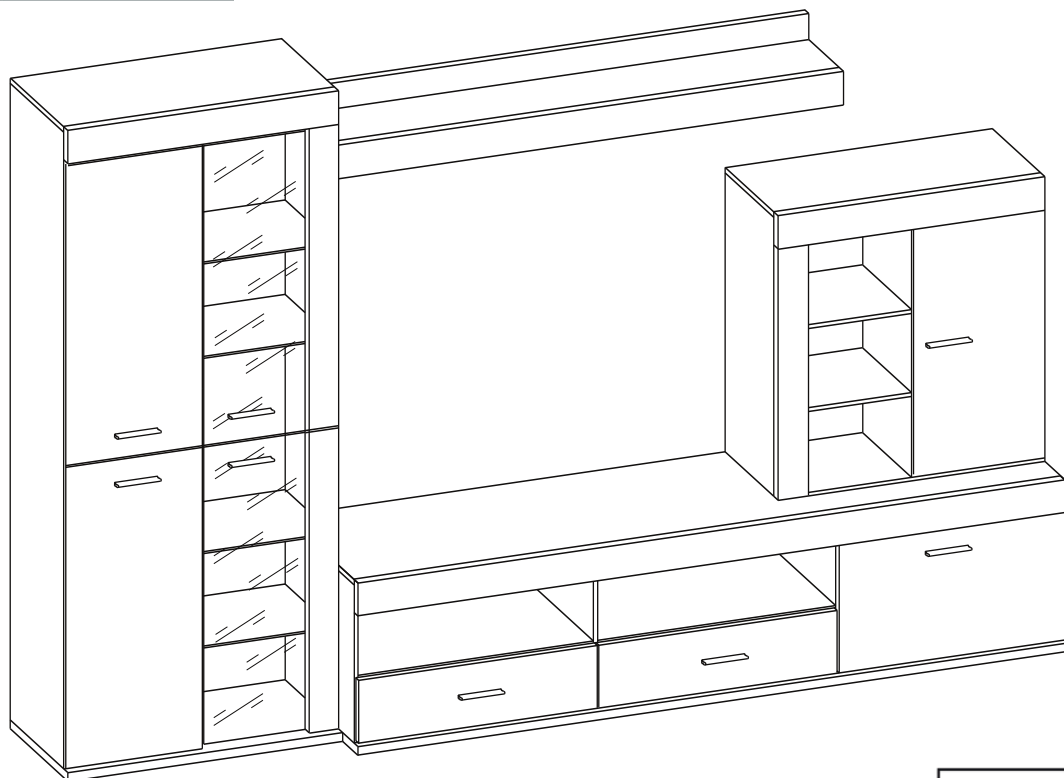
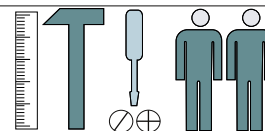


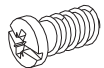


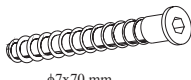
CLUB 3 89-002-...-3


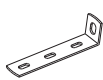


Nr 1

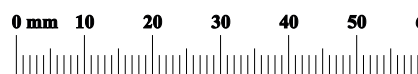



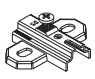
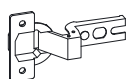
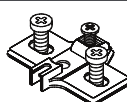



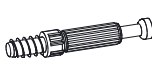






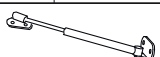






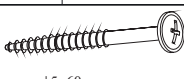

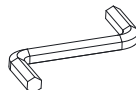
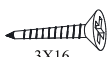
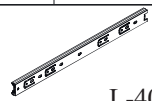


wyprodukowano dla / made for / produziert für
BEGA GRUPPE
 producent: **MEBLE OKMED** POLAND

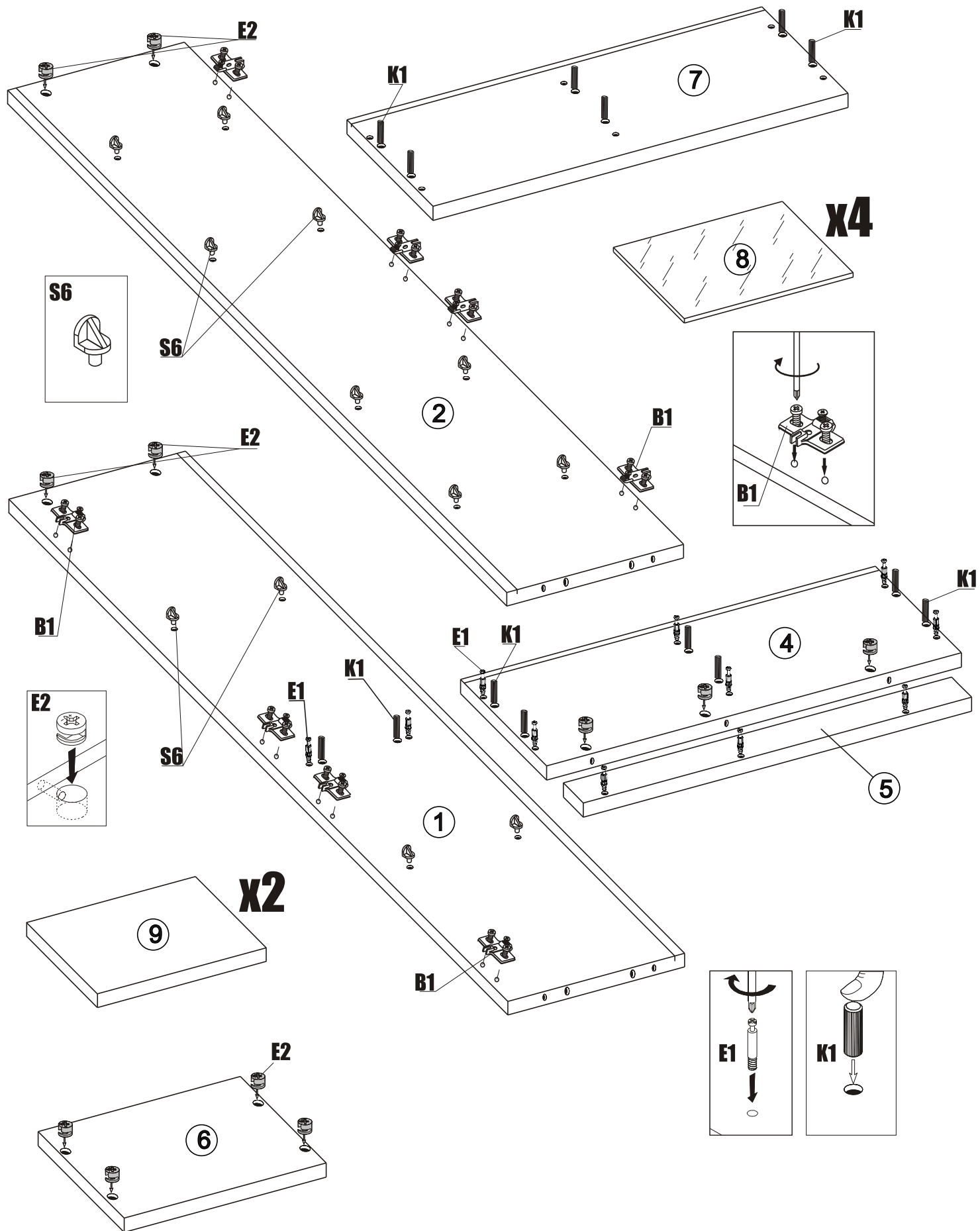


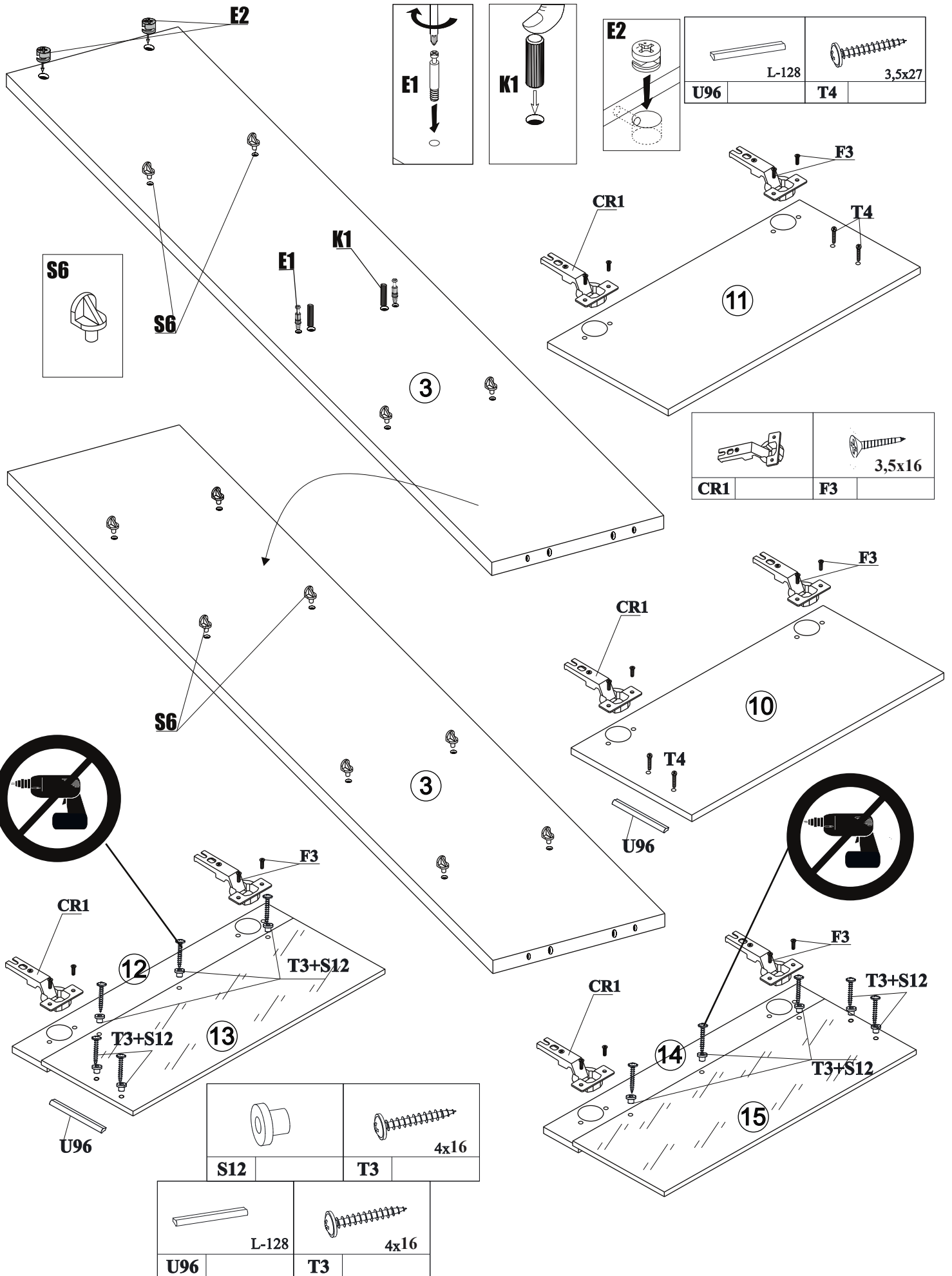
	
6,3x13 TP1 x26	4x25 T5 x20
	
TS1 x4	$\phi 7 \times 70$ mm H2 x6

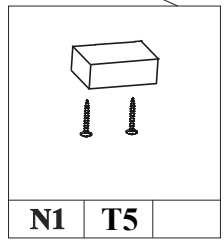
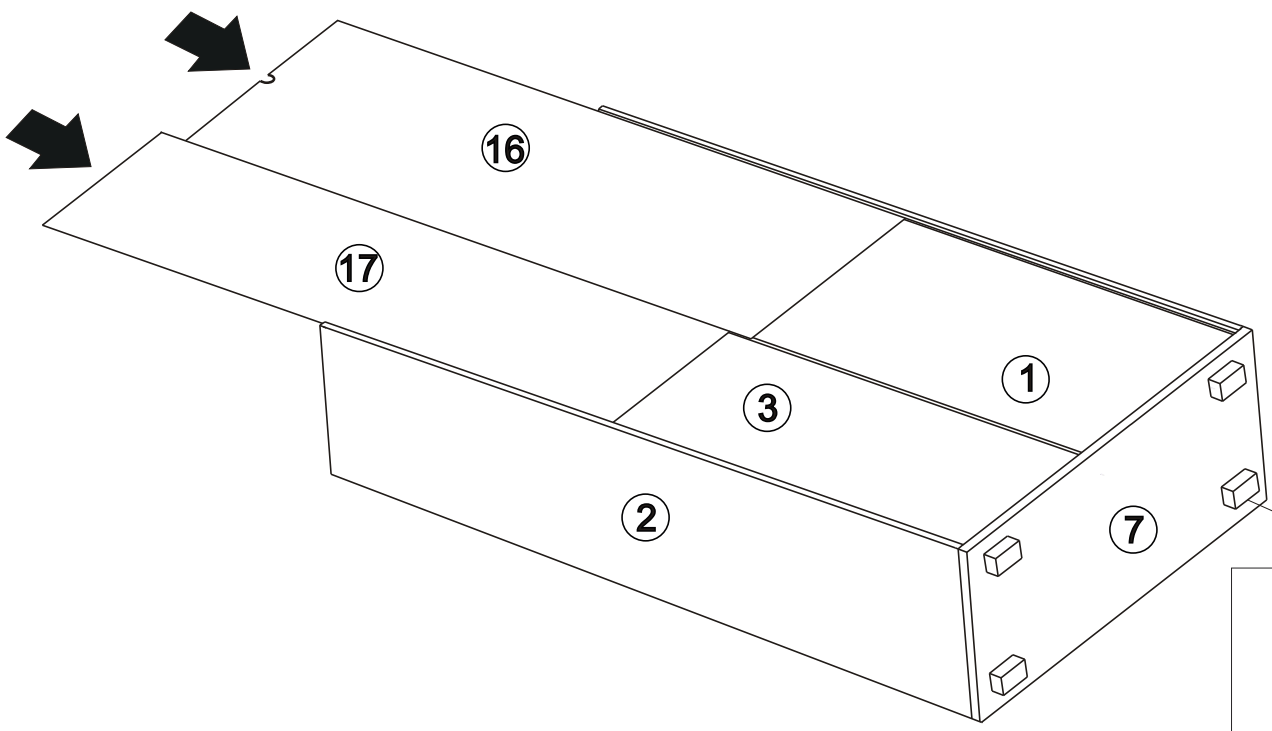
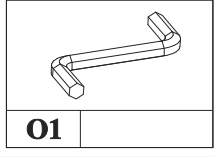
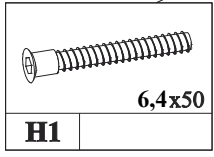
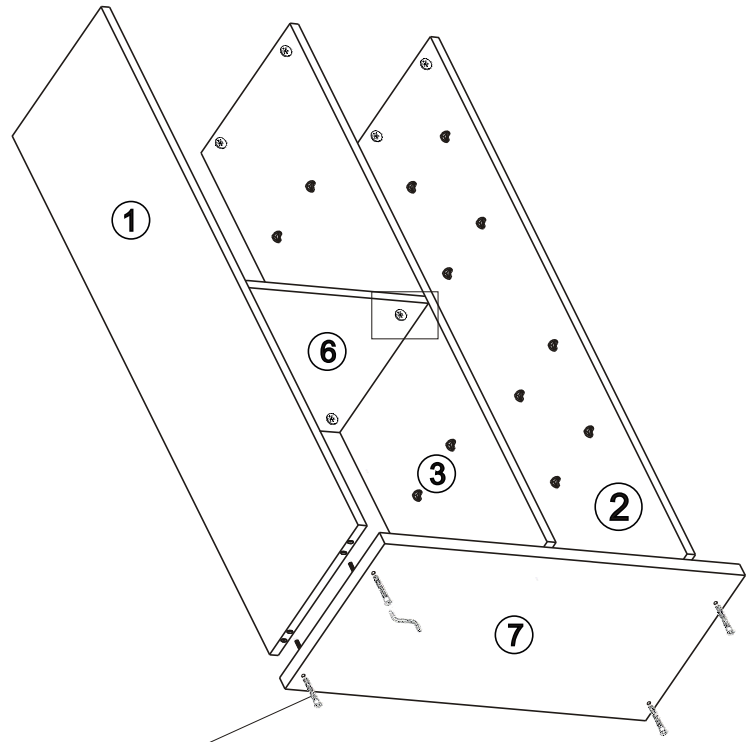
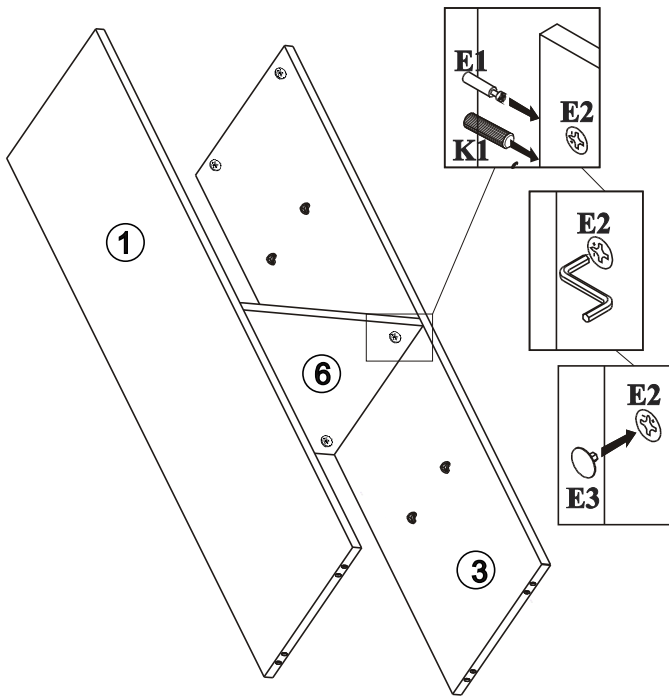
			
SP x32	Z1 x4	8x50 KRL1 x6	5x50 R12 x4

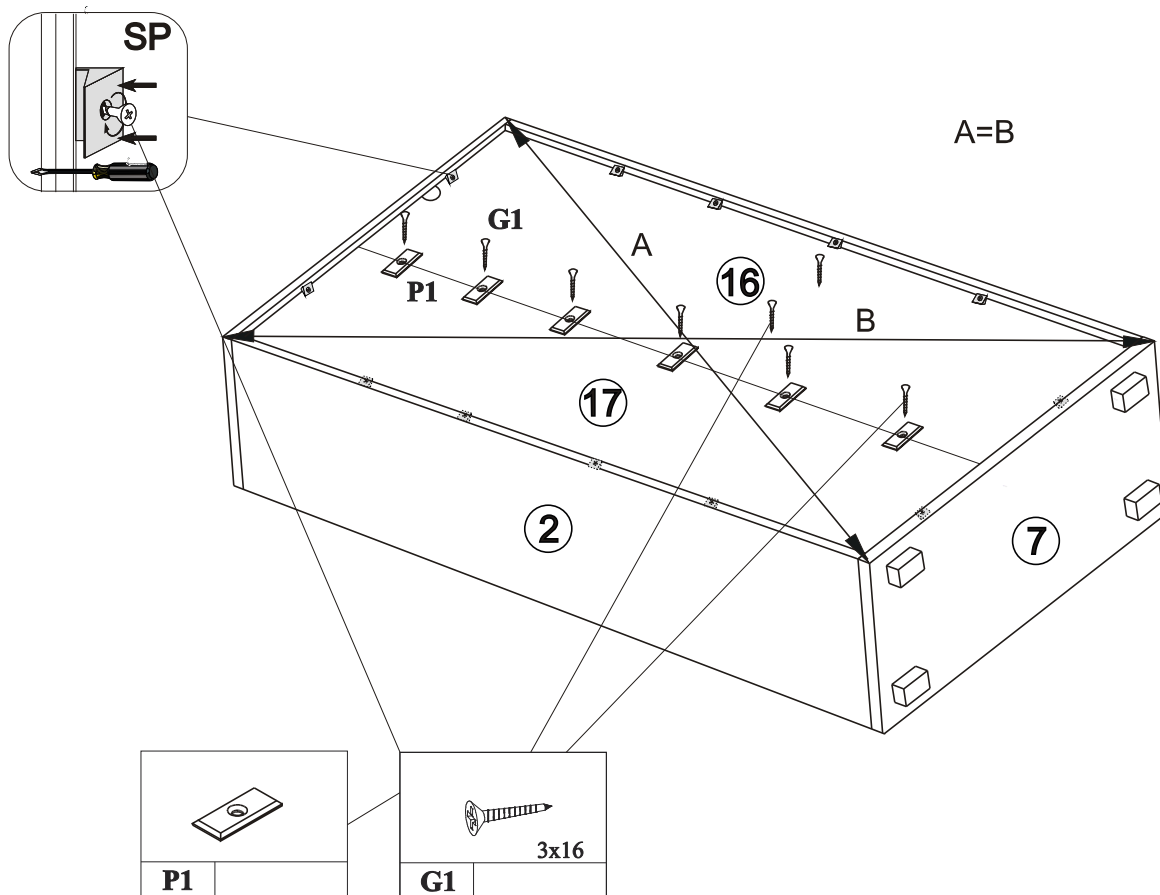
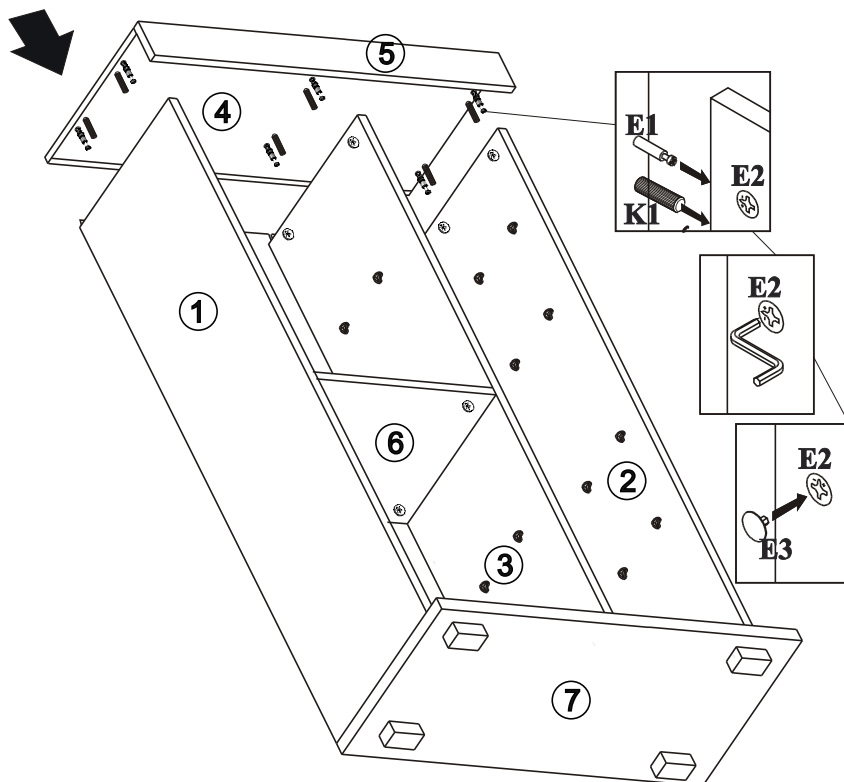


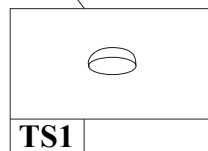
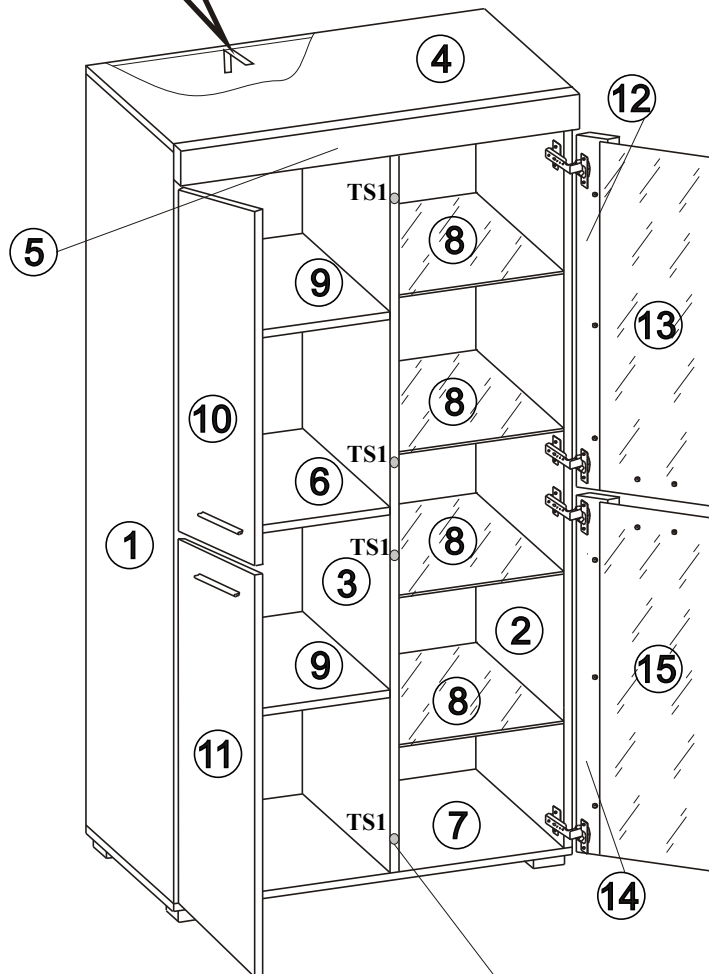
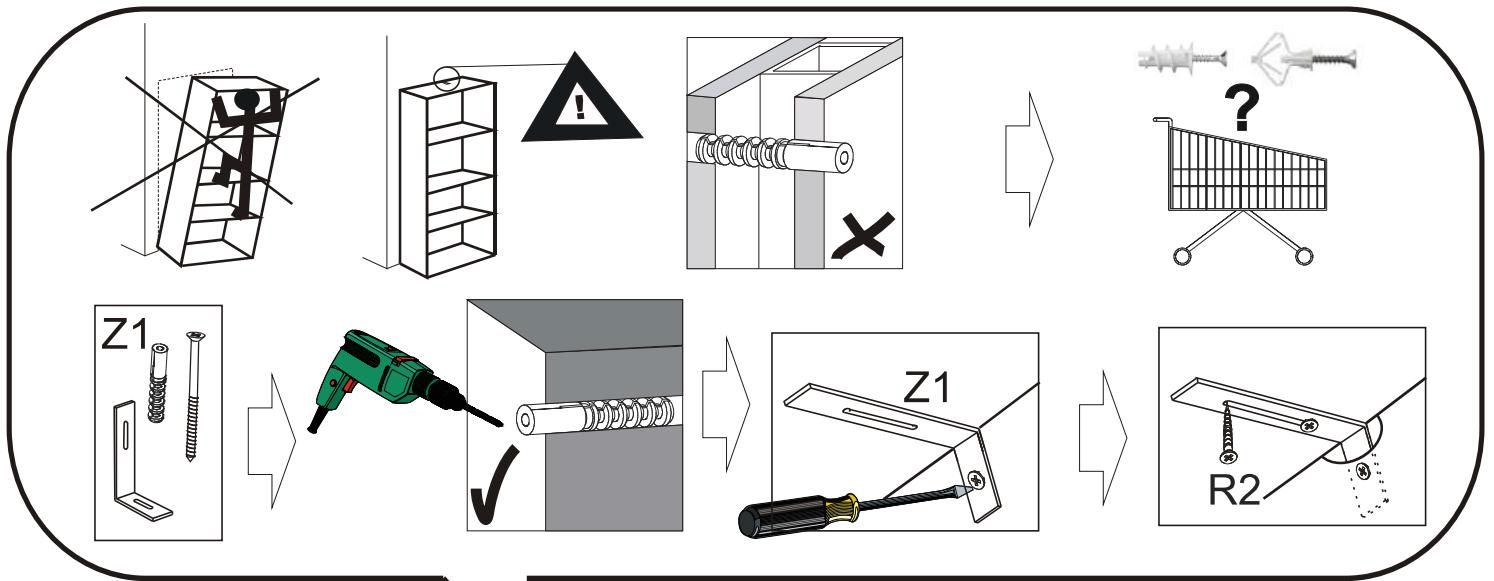
						
5x11 R2 x4	B1 x2	C3 x2	BR1 x10	CR1 x10	L-128 U96 x8	4x25 T4 x12
						
E1 x59	15x12,5 E2 x59	x00 x00 E3 x47	6,4x50 H1 x30	H3 x8	8x30 K1 x50	8x50 K3 x4
						
R1 x1	3,5x16 F3 x24	S12 x10	4x16 T3 x10	S6 x40	Z2 x2	N1 x10
						
$\phi 5 \times 60$ mm L1 x2	P1 x10	O1 x1	3x16 G1 x61	L-400 P4 x2	5,0x9,0 R11 x4	5,0x13 R10 x12

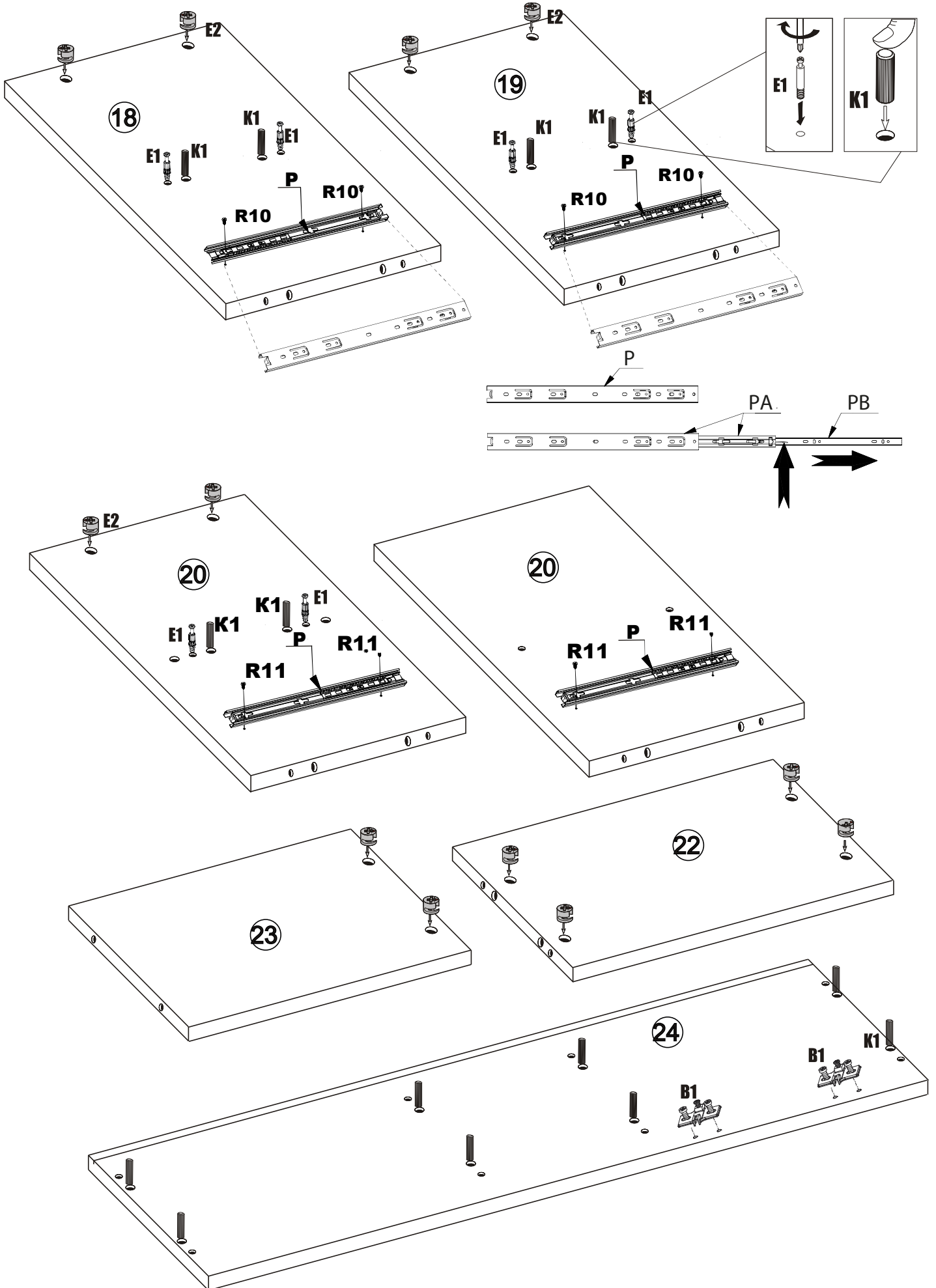


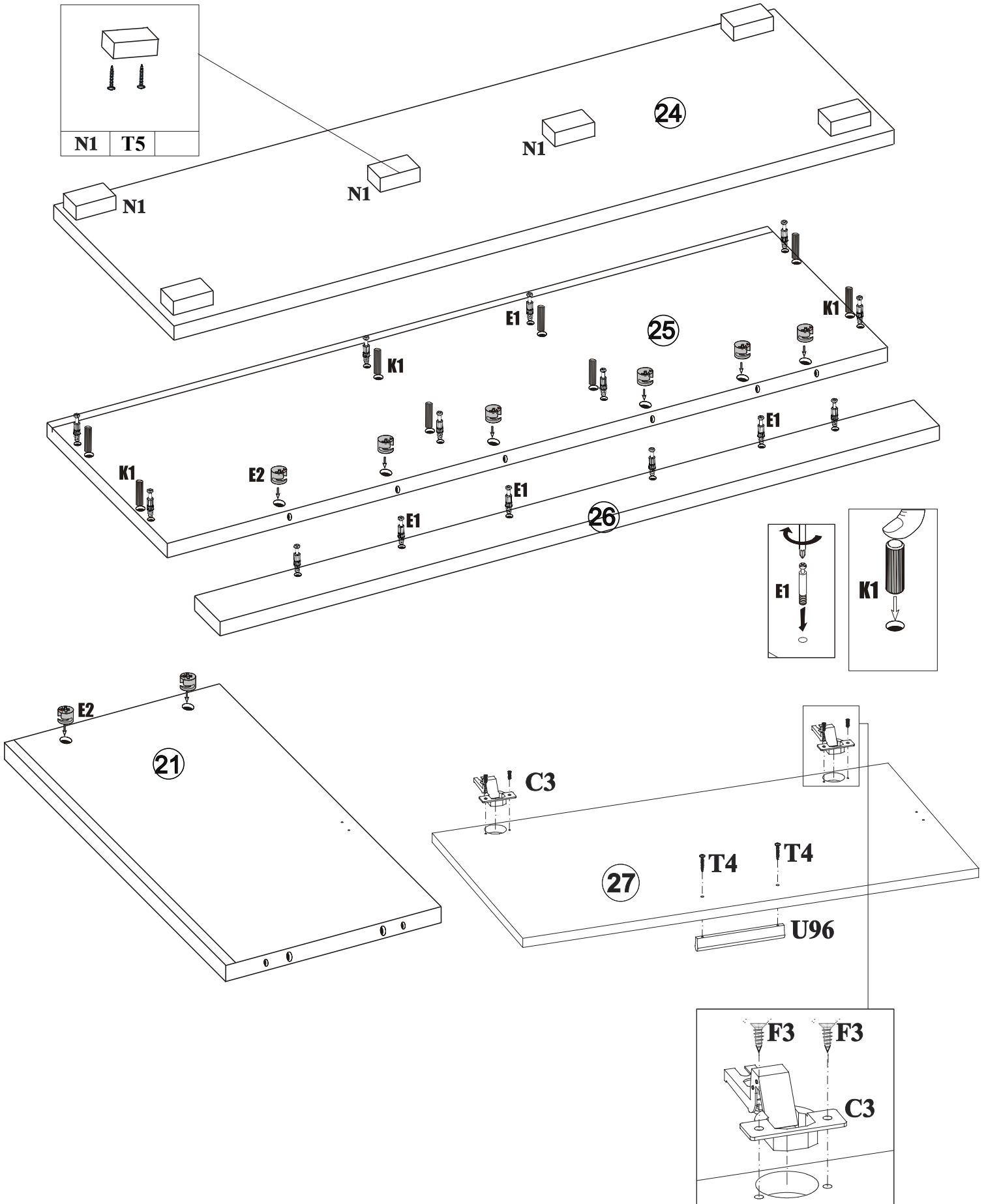


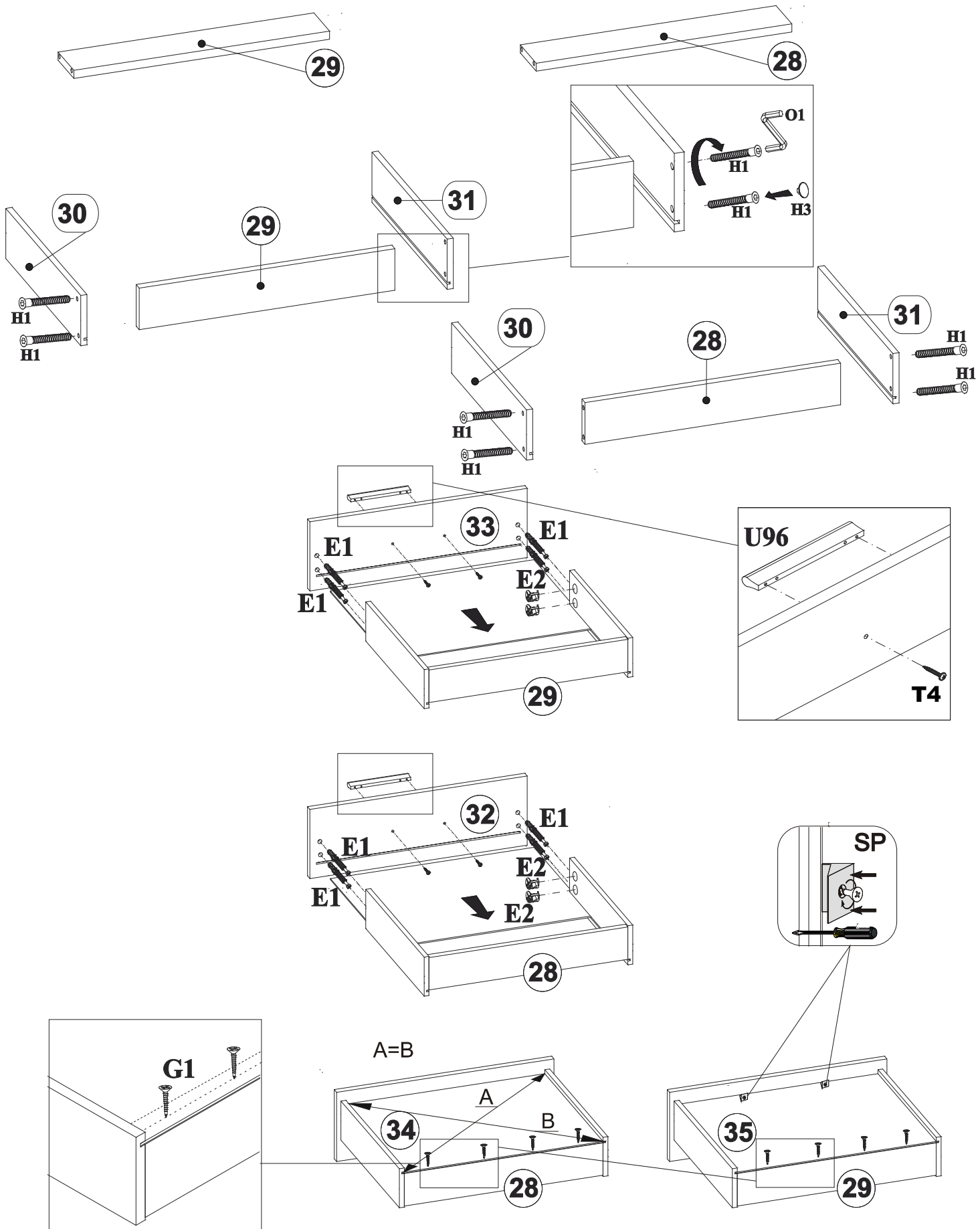


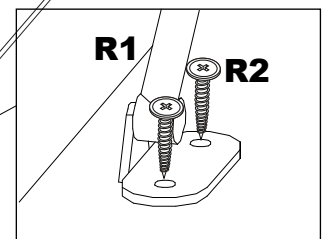
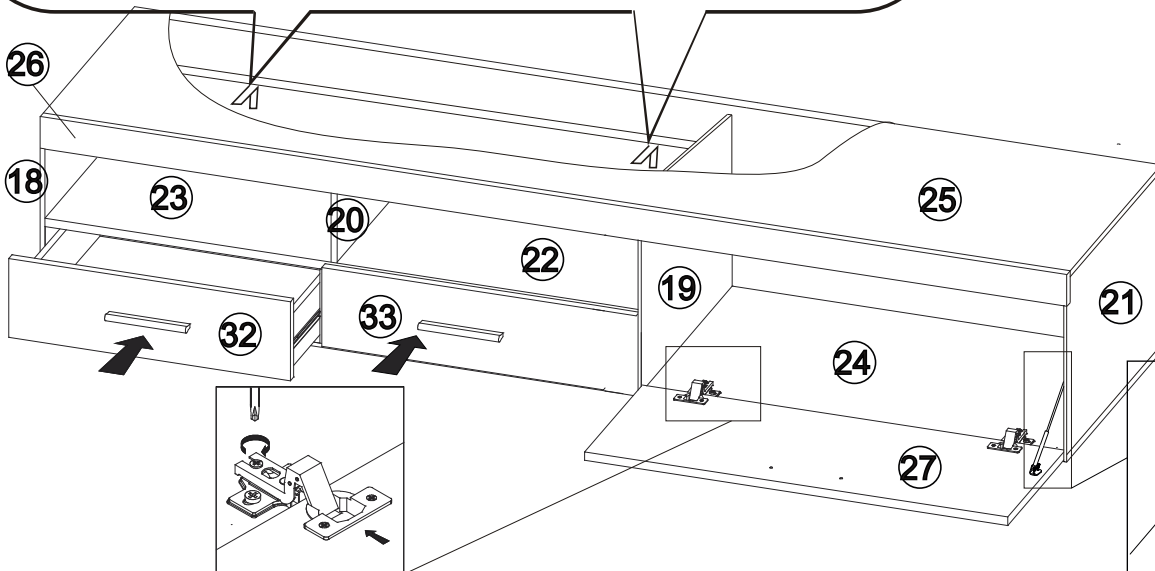
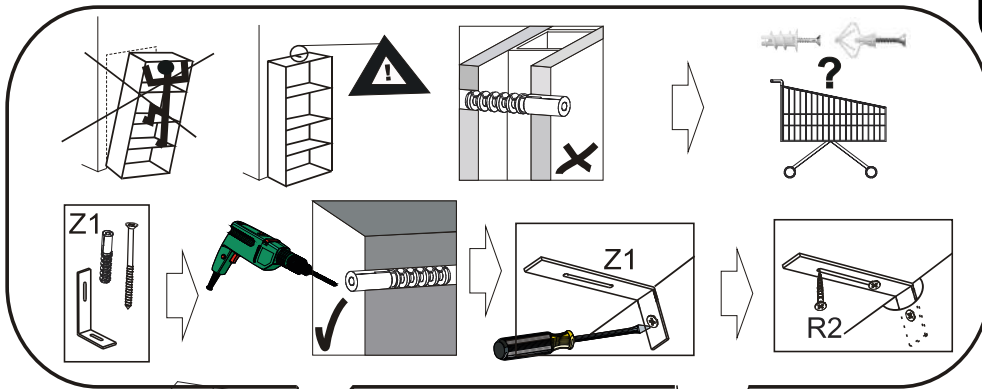
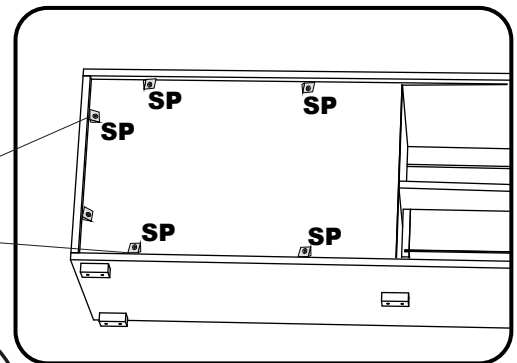
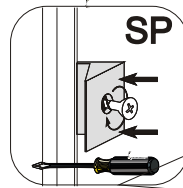
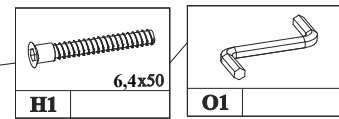
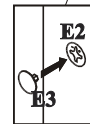
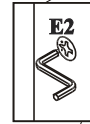
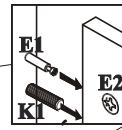
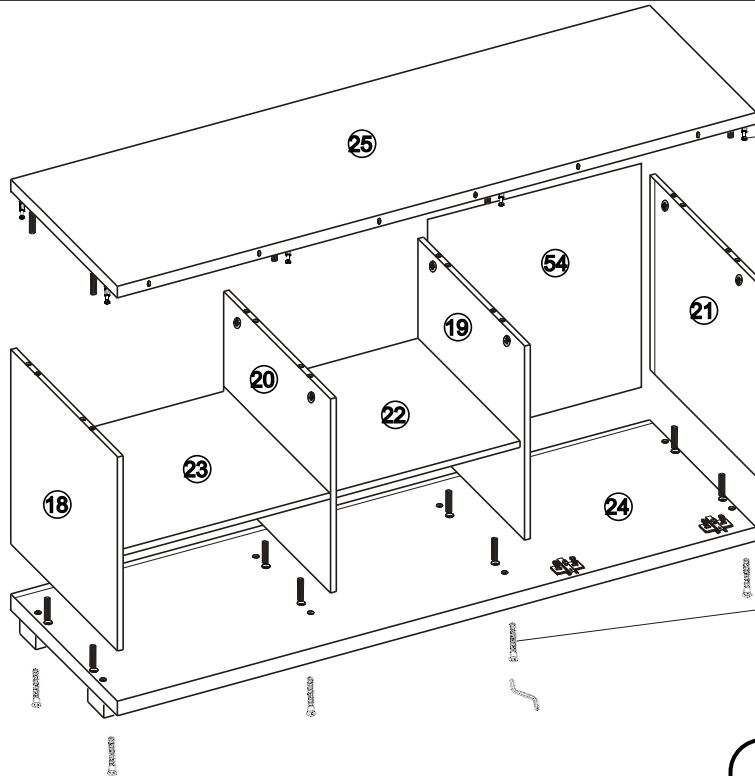


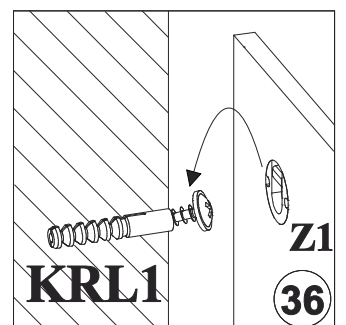
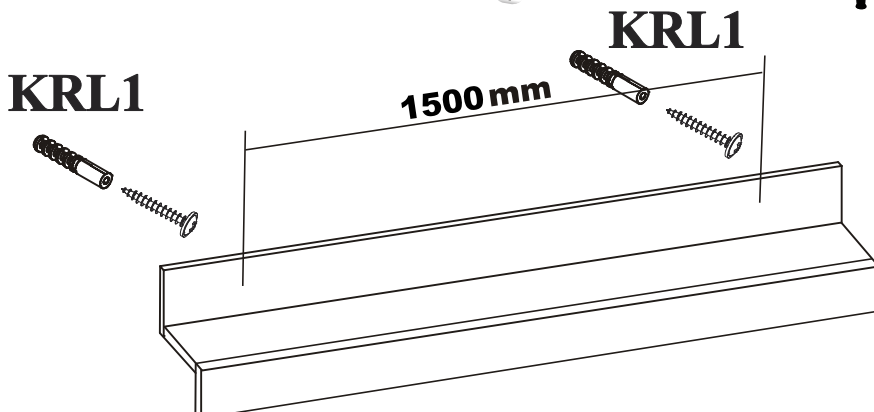
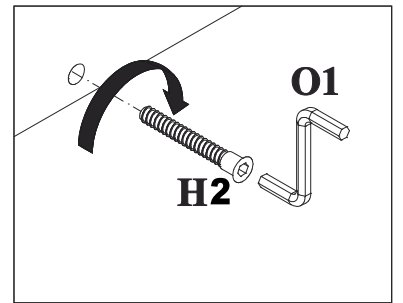
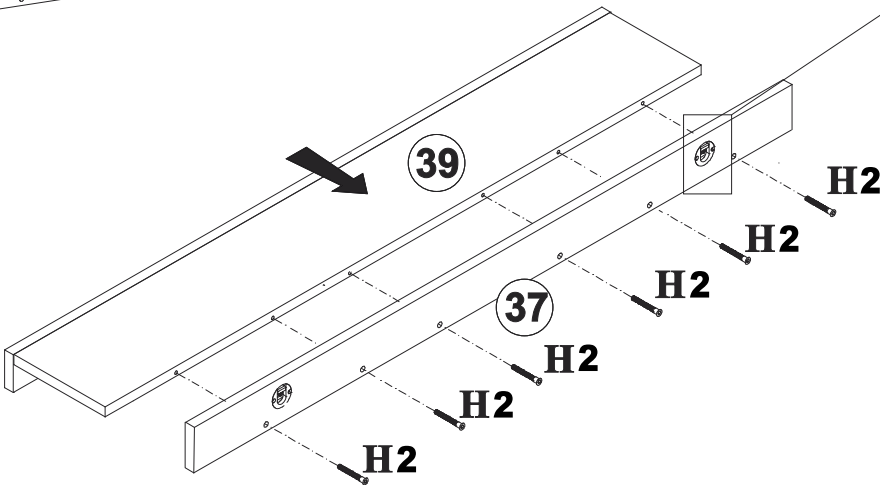
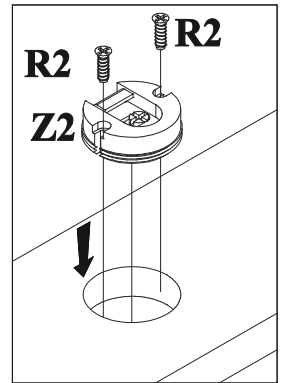
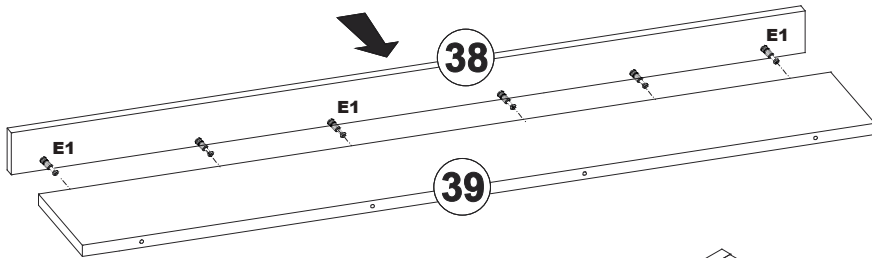
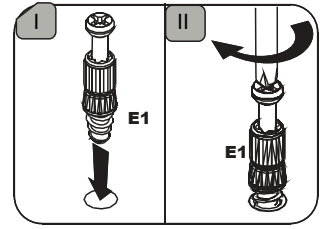
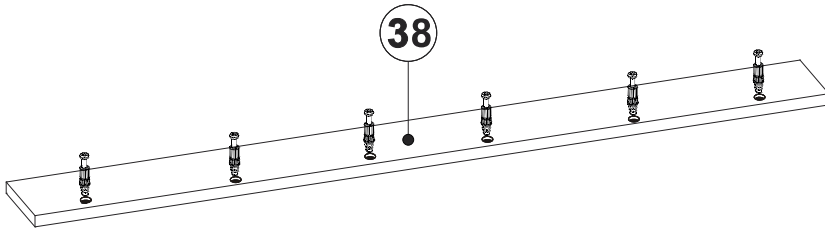


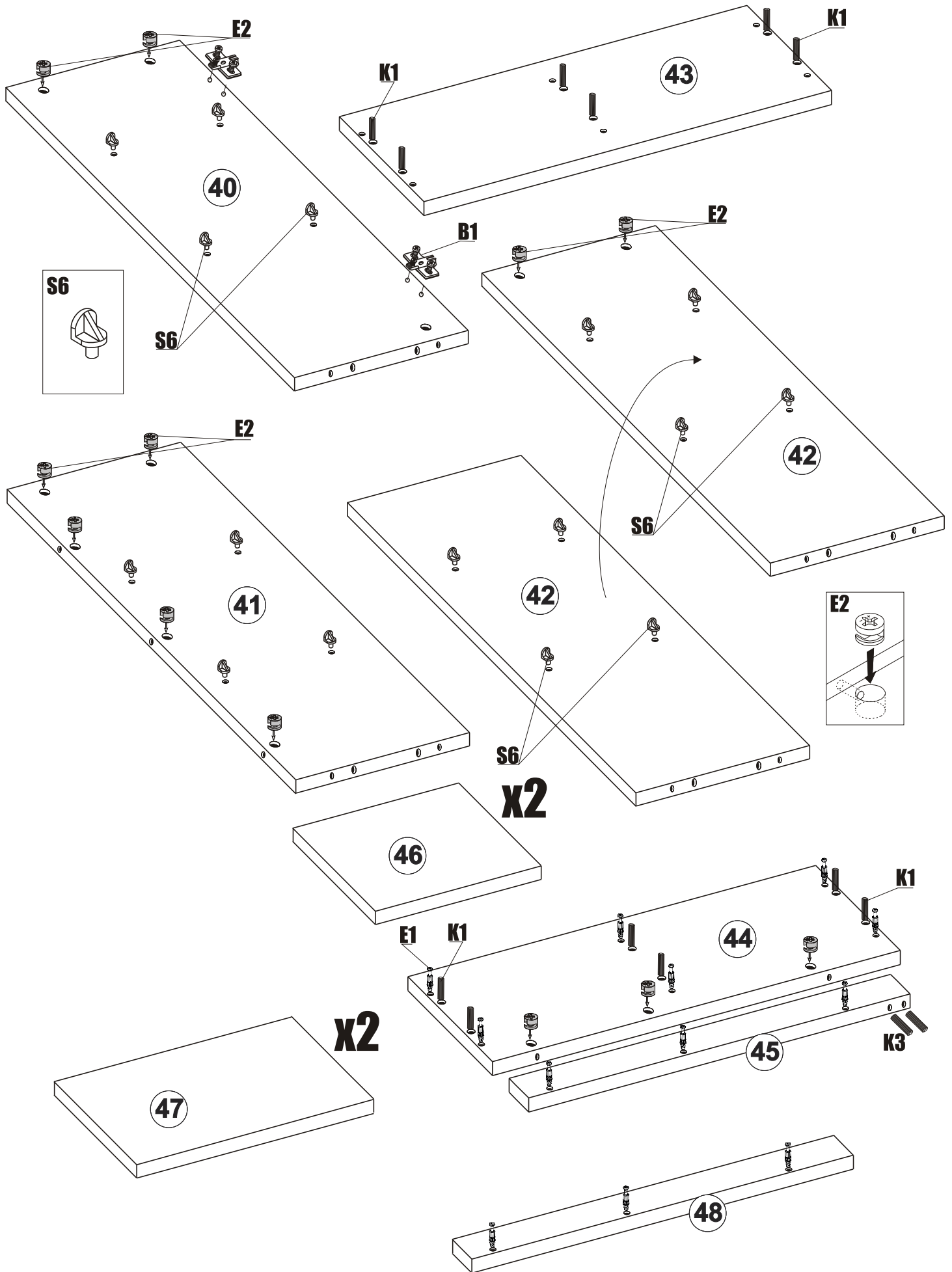


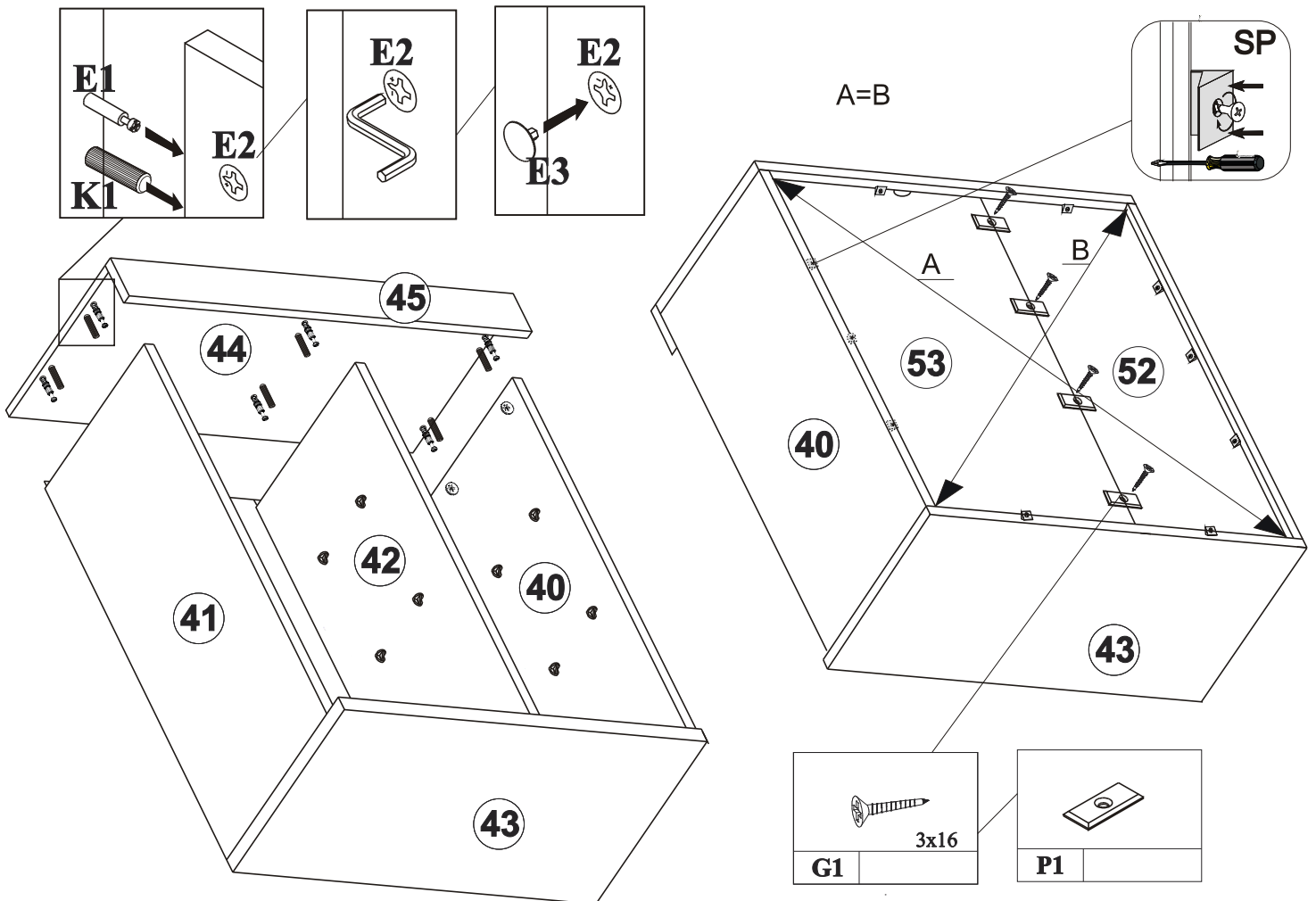
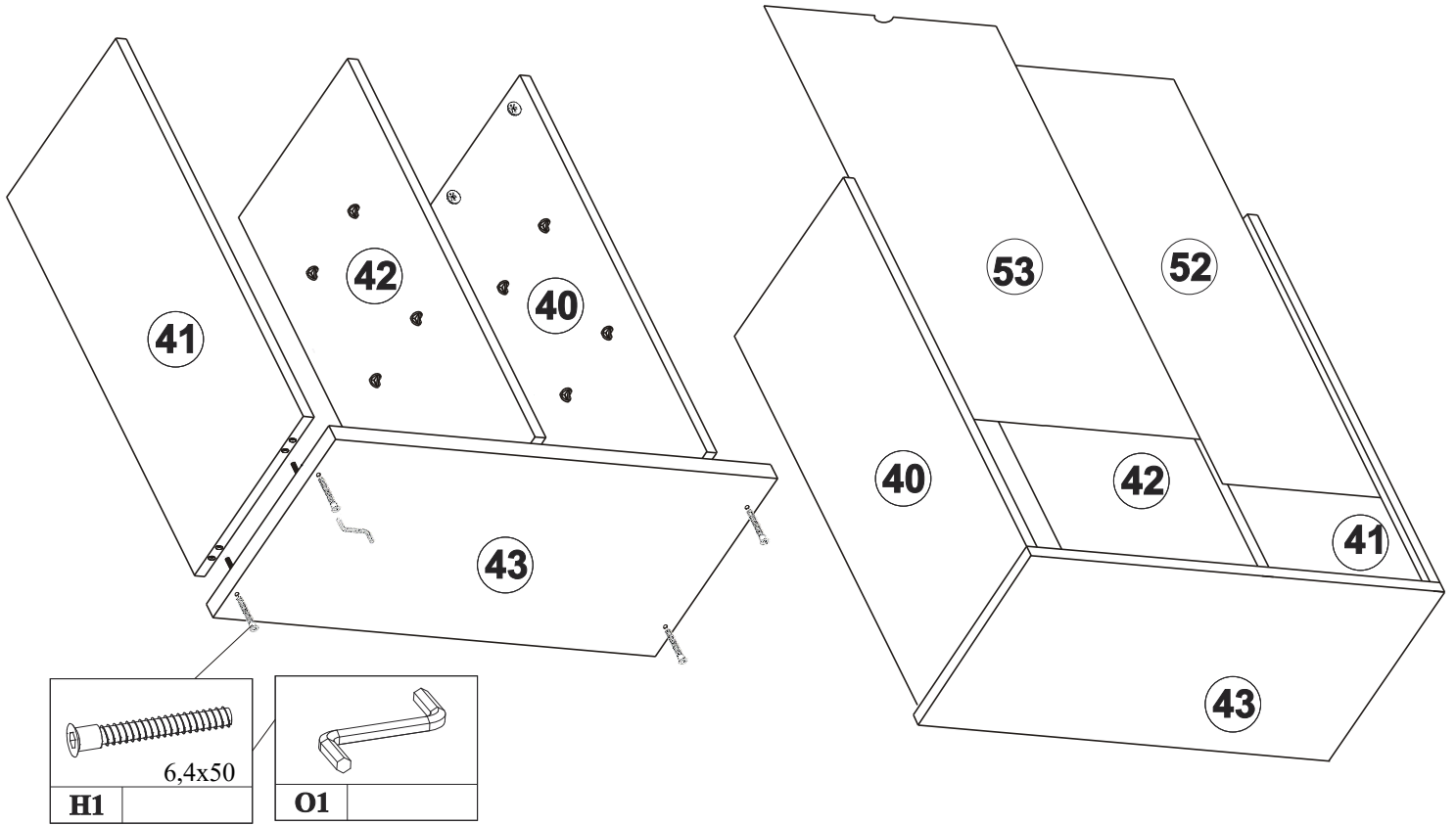


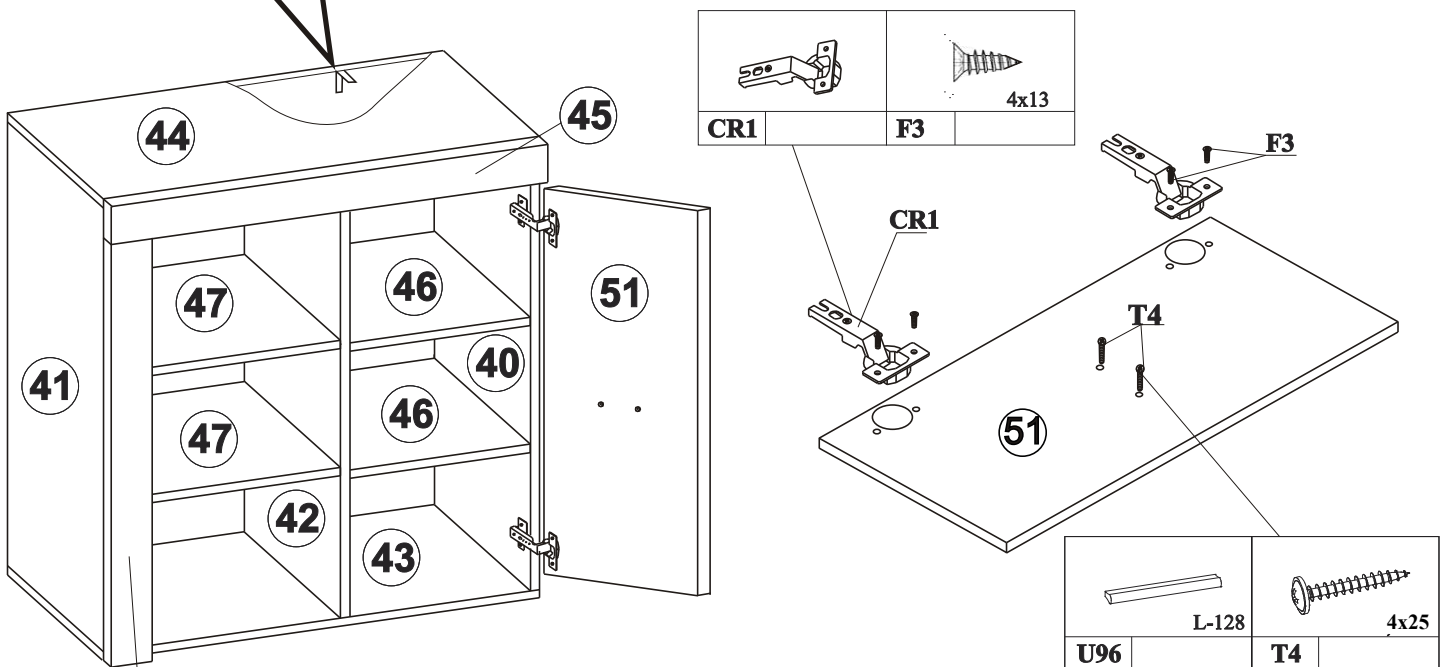
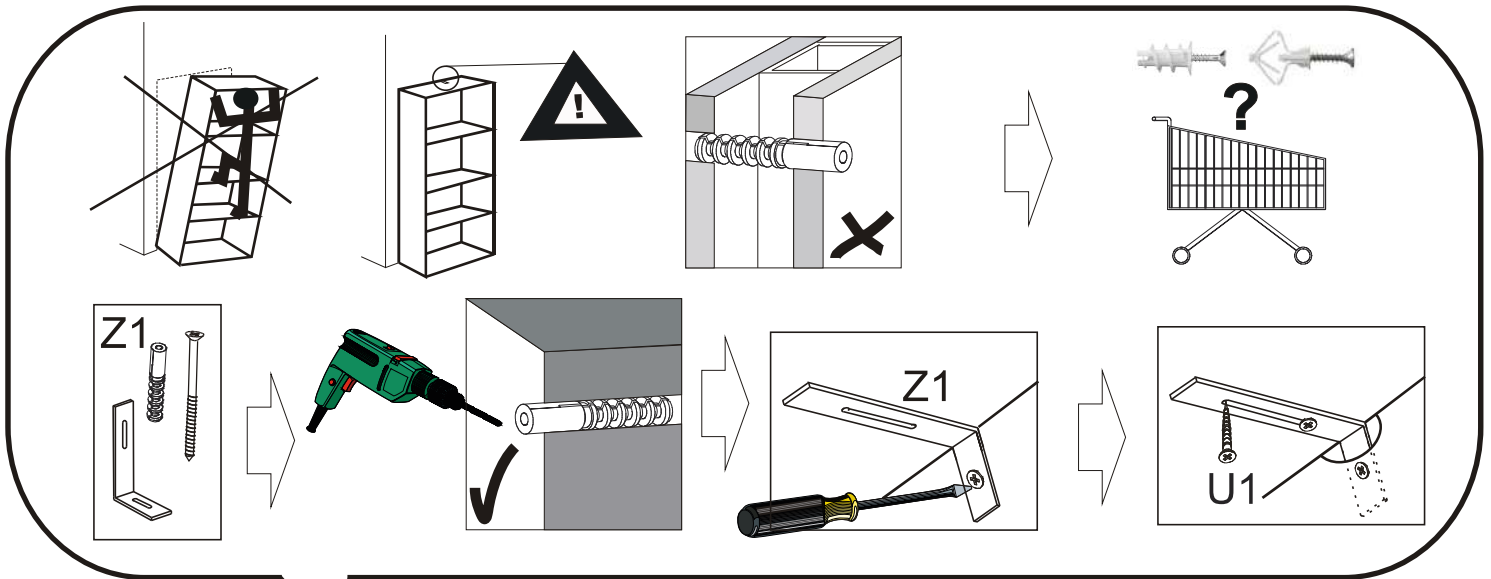












1/5	41	EL-CLU-3-NAD-BOK-L-BE	16x355x934	x1
	40	EL-CLU-3-NAD-BOK-P-BE	16x355x934	x1
	43	EL-CLU-3-NAD-DACH-D-BE	16x700x355	x1
	44	EL-CLU-3-NAD-DACH-G-BE	16x700x355	x1
	51	EL-CLU-3-NAD-FR-P-BI_SQ	16x376x899	x1
	48	EL-CLU-3-NAD-LISTWA-PI-BE	16x60x906	x1
	45	EL-CLU-3-NAD-LISTWA-PO-BE	16x701x60	x1
	52	EL-CLU-3-NAD-PLE-HDF-L-BI	3x311x950	x1
	53	EL-CLU-3-NAD-PLE-HDF-P-BI	3x371x950	x1
	47	EL-CLU-3-NAD-PÓŁK-L-BE	16x295x326	x2
	46	EL-CLU-3-NAD-PÓŁK-P-BE	16x355x326	x2
	42	EL-CLU-3-NAD-PRZEG-BE	16x336x934	x1

2/5	1	EL-CLU-3-WIT-BOK-L-BE	16x355x1852	x1
	2	EL-CLU-3-WIT-BOK-P-BE	16x355x1852	x1
	16	EL-CLU-3-WIT-PLE-D-BE	3x371x1868	x1
	17	EL-CLU-3-WIT-PLE-G-BE	3x311x1868	x1
	9	EL-CLU-3-WIT-PÓŁK-P-BI_SQ	16x354x326	x2
	3	EL-CLU-3-WIT-PRZEG-BE	16x336x1852	x1
	6	EL-CLU-3-WIT-WIEN-BE	16x336x355	x1

3/5	13, 15	EL-SZ-CLU-WITR P	4x275x898	x2
	7	EL-CLU-3-WIT-DACH-D-BE	16x700x380	x1
	4	EL-CLU-3-WIT-DACH-G-BE	16x700x355	x1
	11	EL-CLU-3-WIT-FR-D-L-BI_SQ	16x376x899	x1
	10	EL-CLU-3-WIT-FR-G-L-BI_SQ	16x376x899	x1
	14	EL-CLU-3-WIT-LISTWA-PI-D-BE	16x60x899	x1
	12	EL-CLU-3-WIT-LISTWA-PI-G-BE	16x60x899	x1
	5	EL-CLU-3-WIT-LISTWA-PO-BE	16x701x60	x1
	8	S-Z-CLU-3-PÓŁKA	5x326x295	x4

4/5	32	EL-CLU-3-RTV-FR-SZ-L-BI_SQ	16x746x180	x1
	33	EL-CLU-3-RTV-FR-SZ-P-BI_SQ	16x746x180	x1
	18	EL-CLU-3-RTV-BOK-L-BE	16x460x411	x1
	21	EL-CLU-3-RTV-BOK-P-BE	16x460x411	x1
	31	EL-CLU-3-RTV-BOK-SZ-L-BI	16x400x110	x2
	30	EL-CLU-3-RTV-BOK-SZ-P-BI	16x400x110	x2
	27	EL-CLU-3-RTV-KLAPA-BL_SQ	16x696x360	x1
	20	EL-CLU-3-RTV-PRZEG-L-BE	16x434x411	x1
	19	EL-CLU-3-RTV-PRZEG-P-BE	16x434x411	x1
	28	EL-CLU-3-RTV-TYL-SZ-L-BI	16x671x94	x1
	29	EL-CLU-3-RTV-TYL-SZ-P-BI	16x671x94	x1
	23	EL-CLU-3-RTV-WIEN-L-BE	16x725x434	x1
	22	EL-CLU-3-RTV-WIEN-P-BE	16x733x434	x1

5/5	24	EL-CLU-3-RTV-DACH-D-BE	16x2200x480	x1
	25	EL-CLU-3-RTV-DACH-G-BE	16x2200x460	x1
	38	EL-CLU-3-PÓŁ-LISTWA-BE	16x1820x60	x1
	37	EL-CLU-3-PÓŁ-PLECY-TW-BE	16x1820x106	x1
	39	EL-CLU-3-PÓŁ-WIEN-BE	16x1818x188	x1
	34	EL-CLU-3-RTV-DNO-SZ-L-HDF-BL	3x685x407	x1
	35	EL-CLU-3-RTV-DNO-SZ-P-HDF-BL	3x693x407	x1
	26	EL-CLU-3-RTV-LISTWA-PO-BE	16x2201x60	x1
	54	EL-CLU-3-RTV-PLE-HDF-BI	3x700x427	x1