








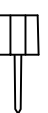
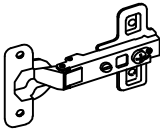

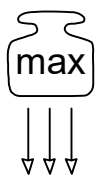


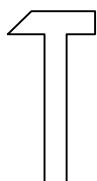

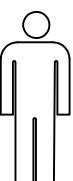
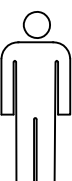
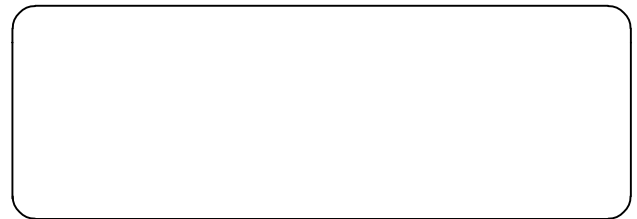


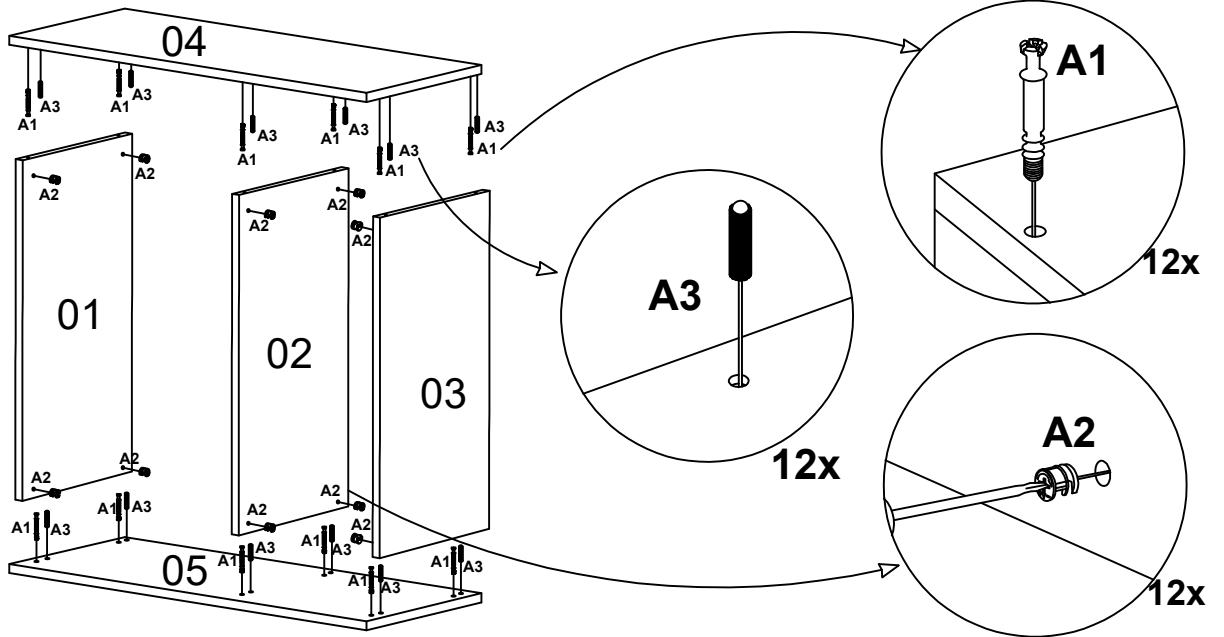
01	784x375x18 mm	x1	06	504x370x18 mm	x2	11	360x120x18 mm	x3
02	784x375x18 mm	x1	07	266x370x18 mm	x2	12	360x80x18 mm	x2
03	784x375x18 mm	x1	08	1000x400x18 mm	x1	13	825x273x3 mm	x3
04	825x400x18 mm	x1	09	820x170x18 mm	x1	14	799x297x18 mm	x1
05	825x375x18 mm	x1	10	820x120x18 mm	x1			

<b>A1</b>  24x	<b>A2</b>  24x	<b>A3</b>  18x	<b>A4</b>  1x	<b>B1</b> 3,5x18  16x	<b>B2</b> 3,5x25  12x
<b>B3</b> 4x22  2x	<b>B4</b> 3,5x50  4x	<b>B9</b> 3,5x30  4x	<b>C1</b>  16x	<b>E1</b>  2x	<b>D1</b>  35x

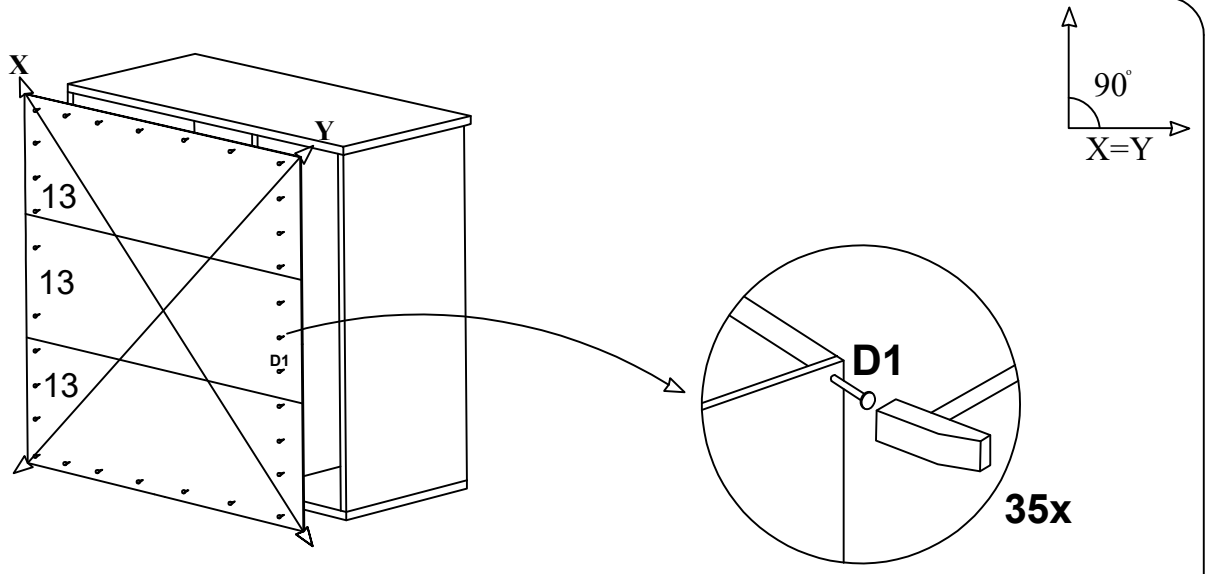

 45 min
 







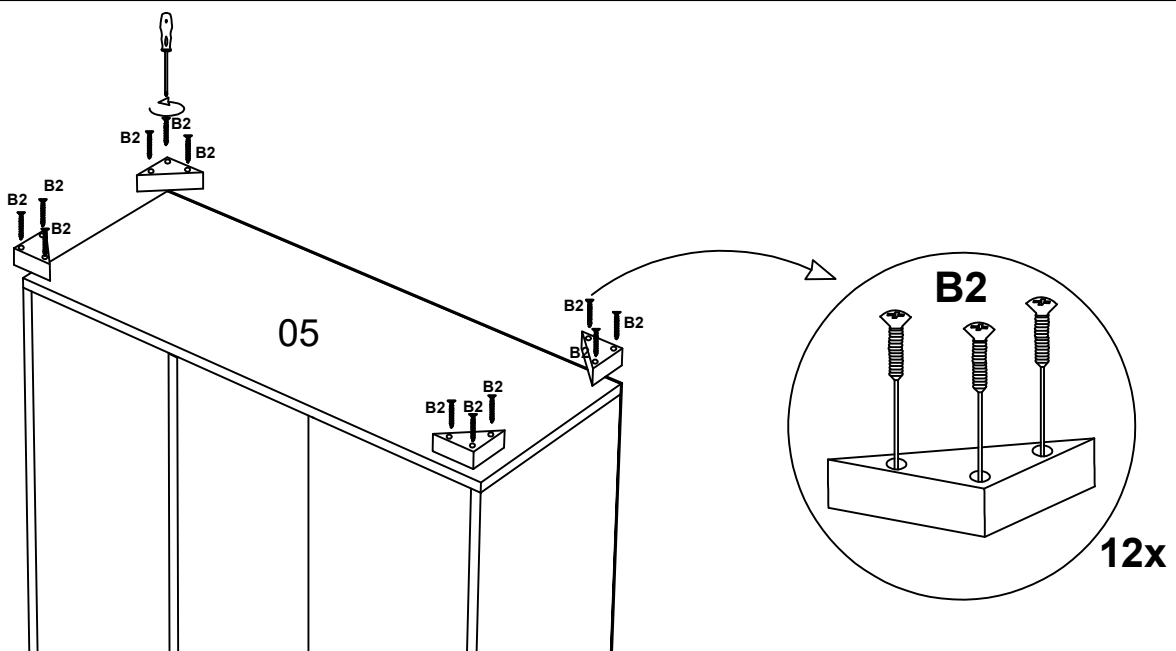
1



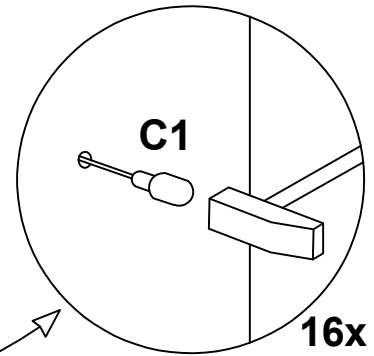
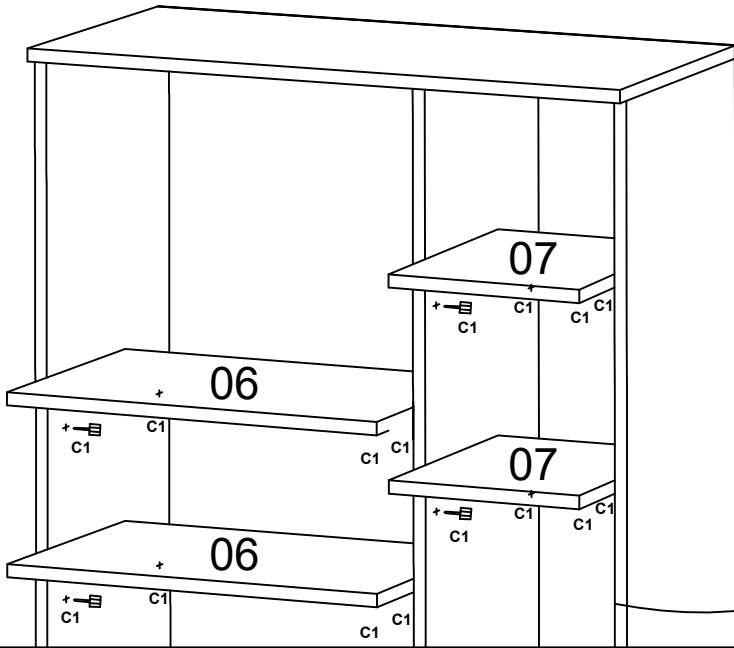
2



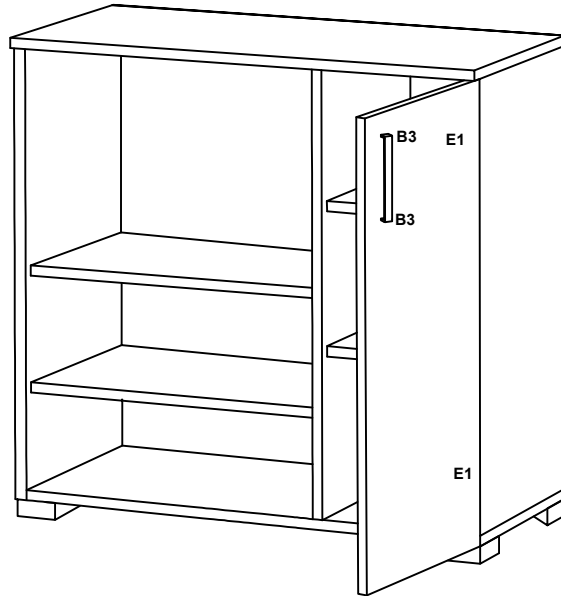
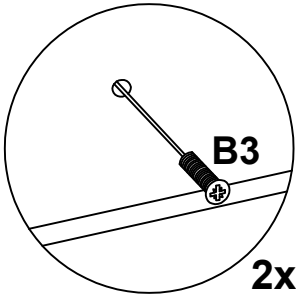
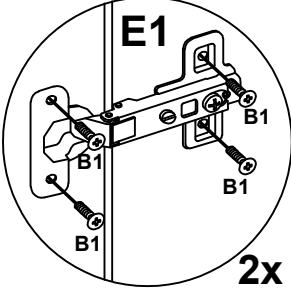
3



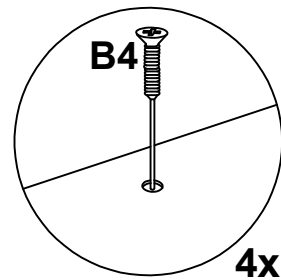
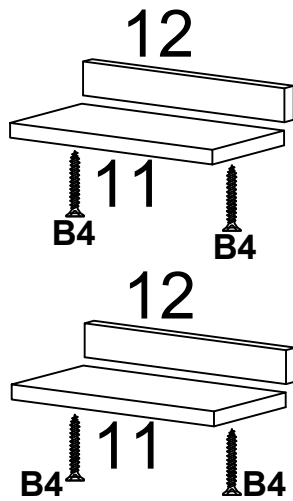
4



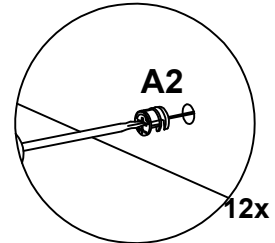
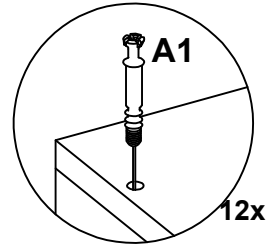
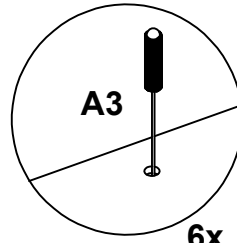
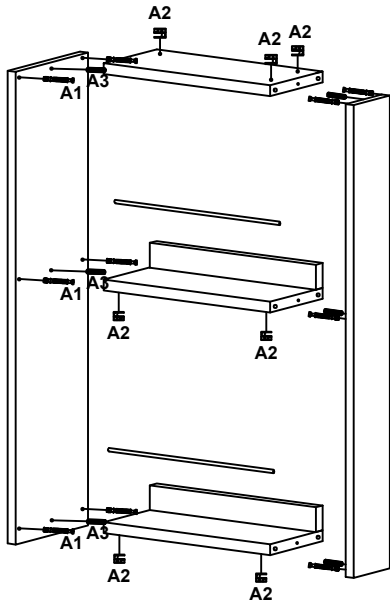
5



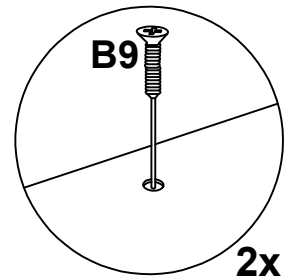
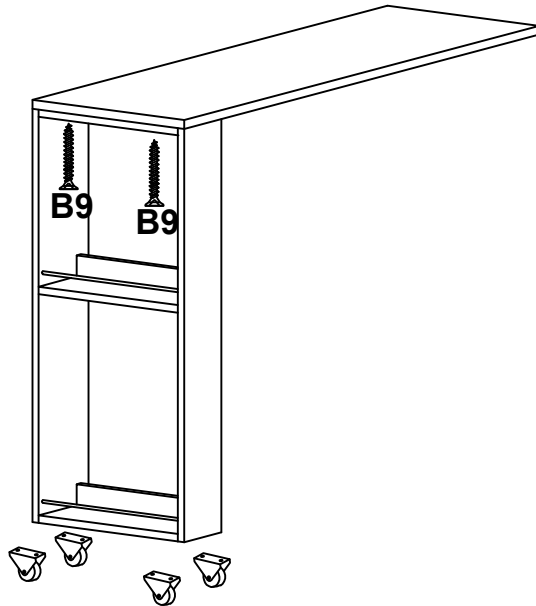
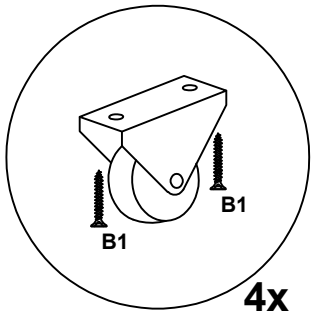
6



7



8



9

