
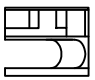
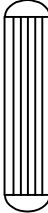





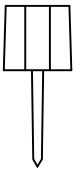

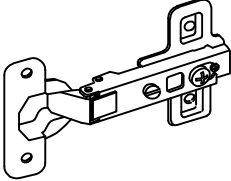
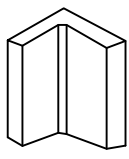
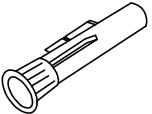



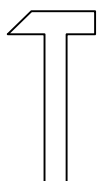

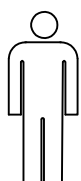
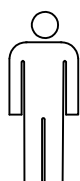
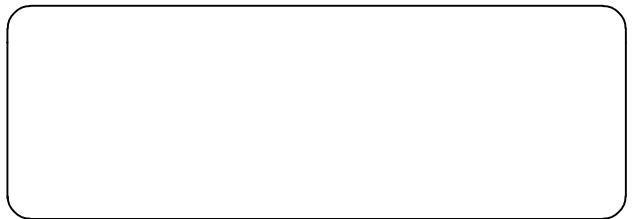


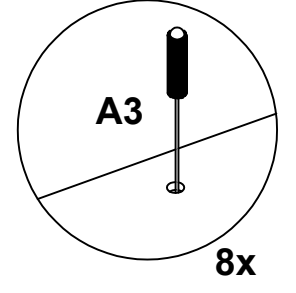
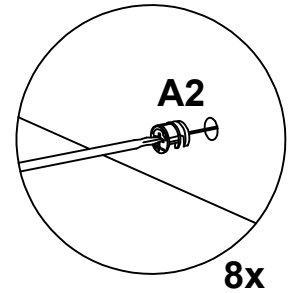
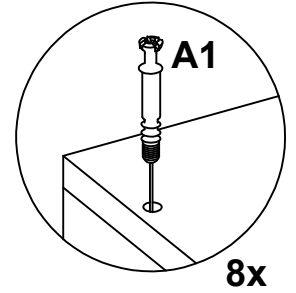
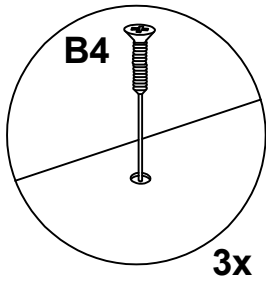
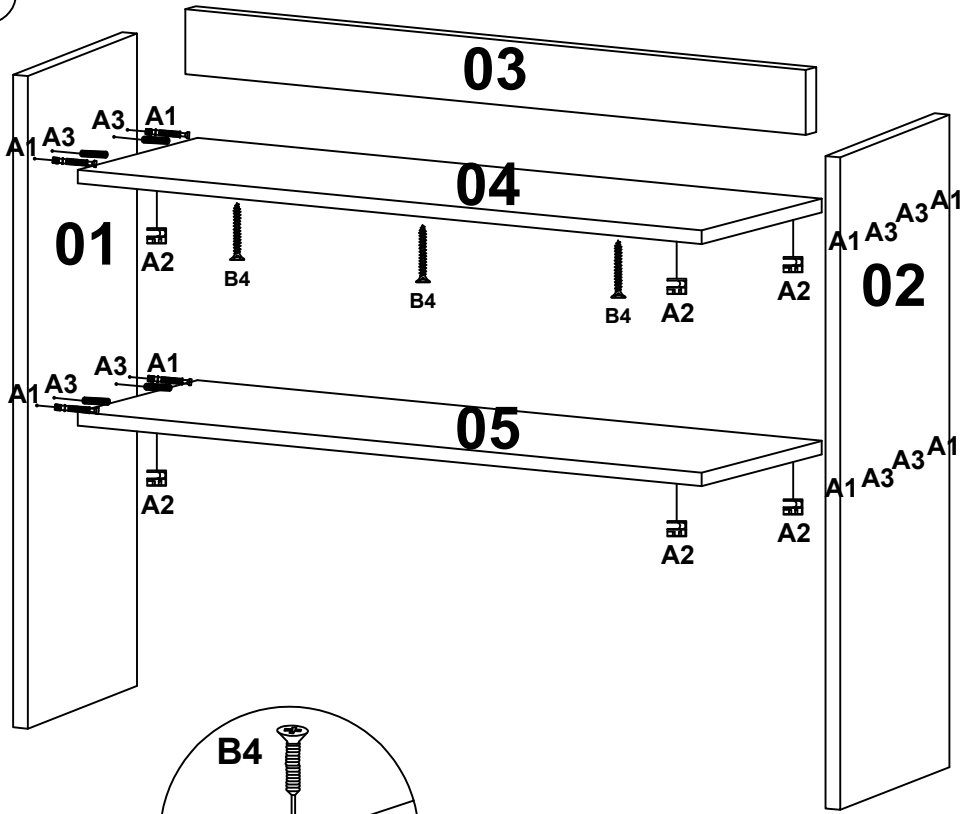
01	732x290x18 mm	x1	07	700x420x18 mm	x1
02	732x290x18 mm	x1	08	714x420x18 mm	x1
03	664x50x18 mm	x1	09	714x420x18 mm	x1
04	664x290x18 mm	x1	10	664x400x18 mm	x1
05	664x290x18 mm	x1	11	747x347x18 mm	x2
06	700x440x18 mm	x1	12	700x370x3 mm	x2

A1	A2	A3	B1 3,5x18	B3 4x22	B4 3,5x50	B11 5x80
						
16x	16x	16x	18x	2x	7x	1x
B19 4x20	C1	D1	E1	F2	F3	
						
12x	4x	30x	4x	1x	1x	

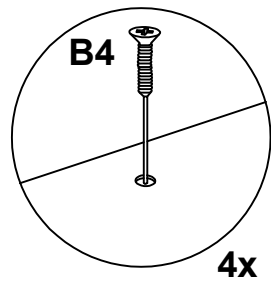
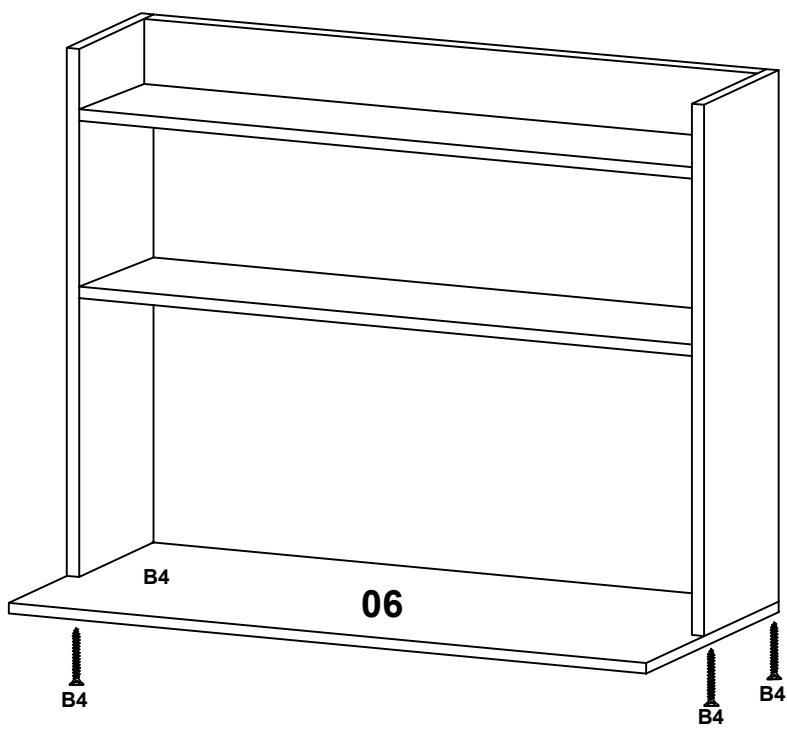
 max ↓ ↓ ↓	 1 h					
---	--	---	---	---	---	---



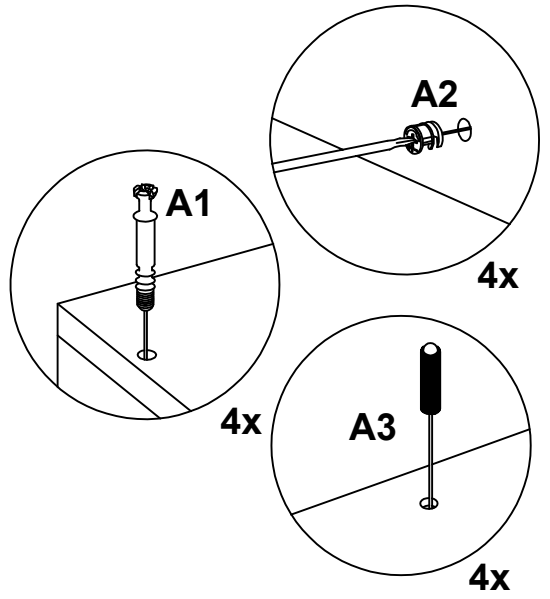
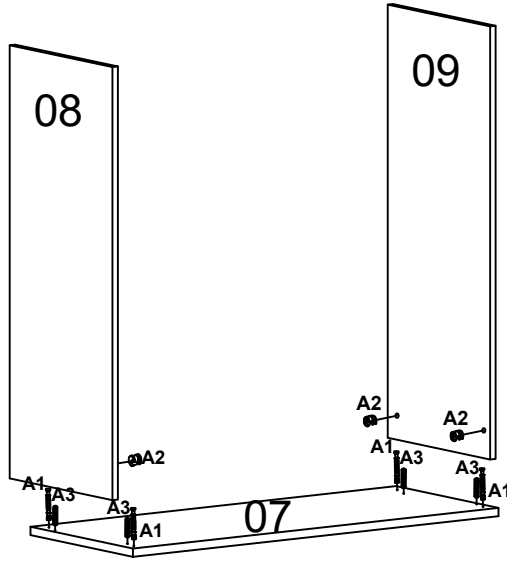
1



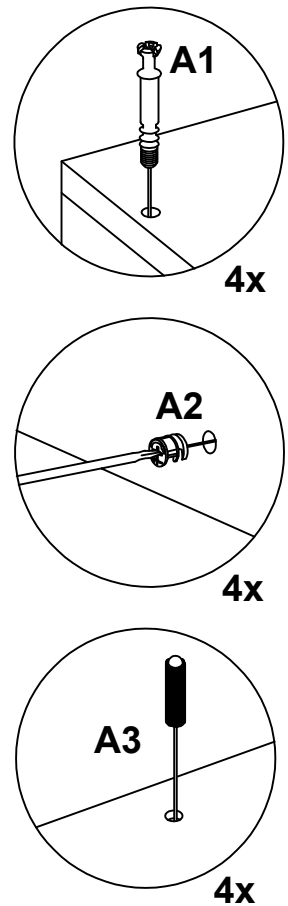
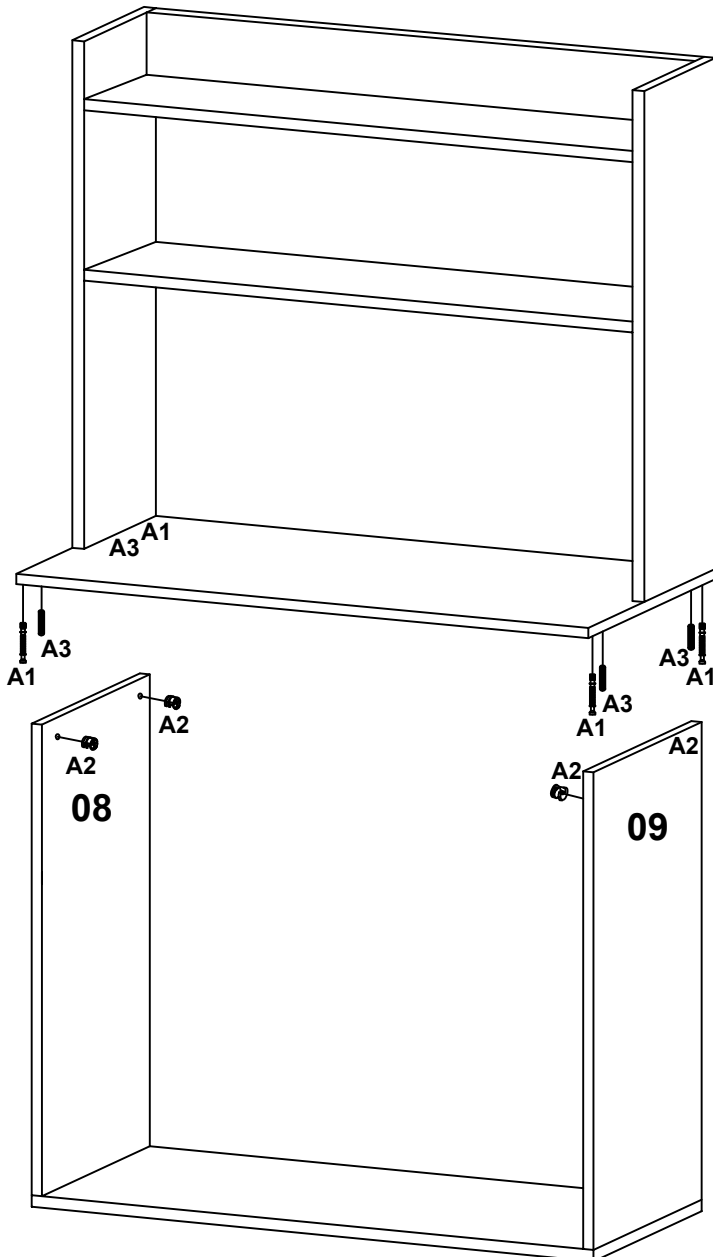
2



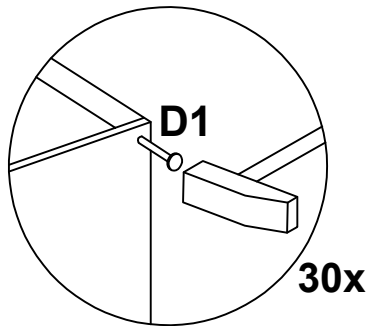
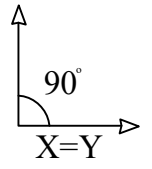
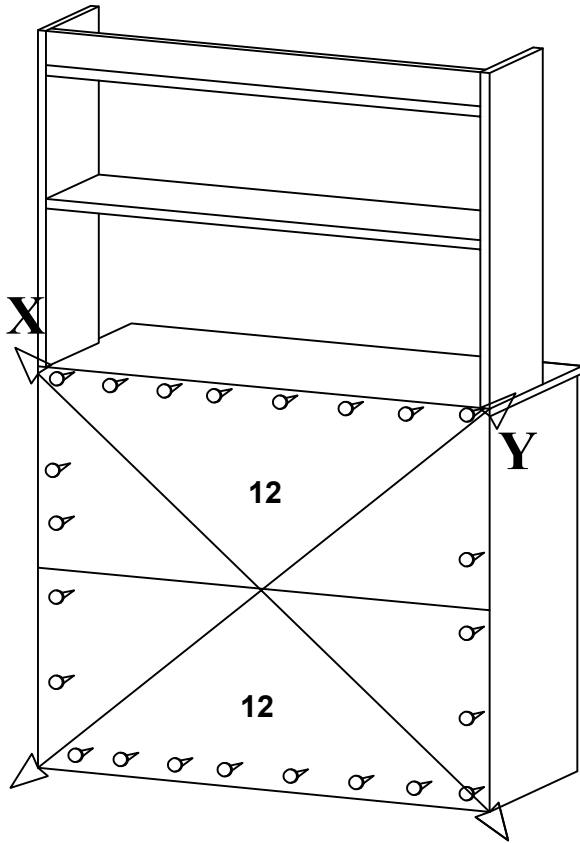
3



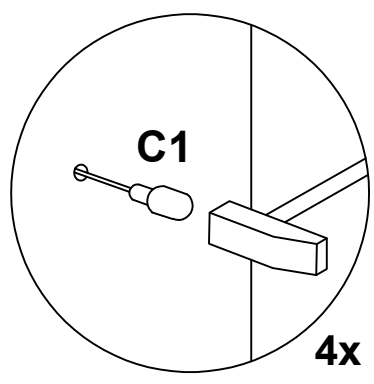
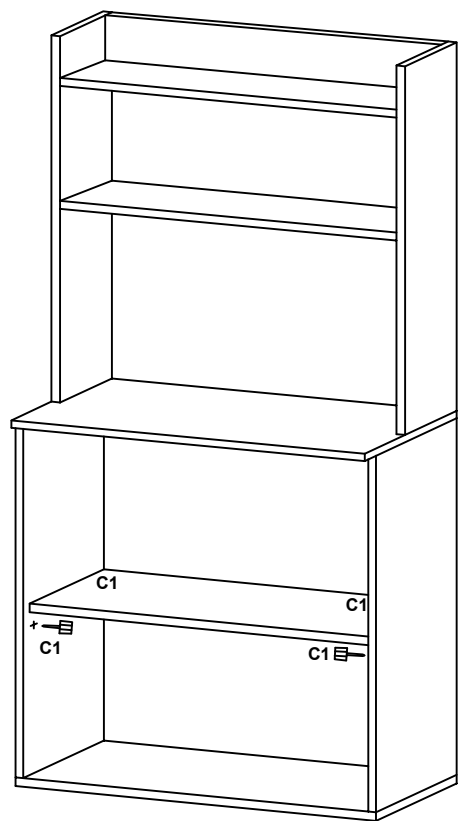
4



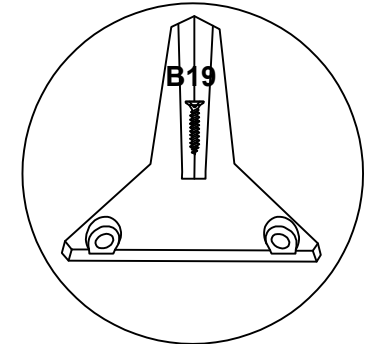
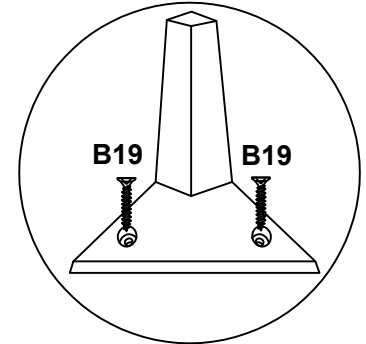
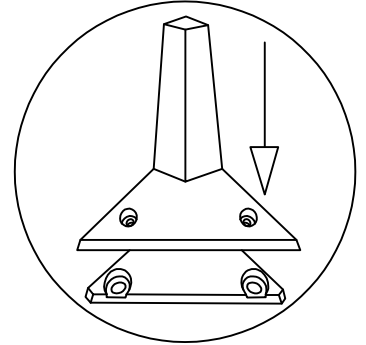
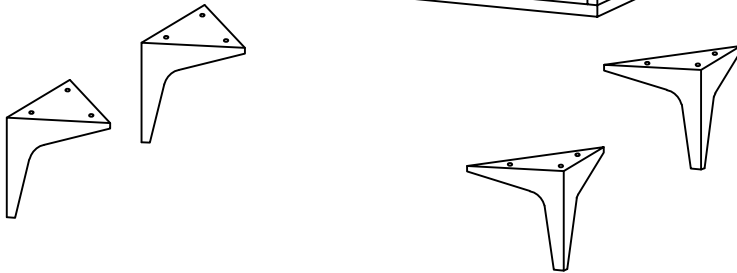
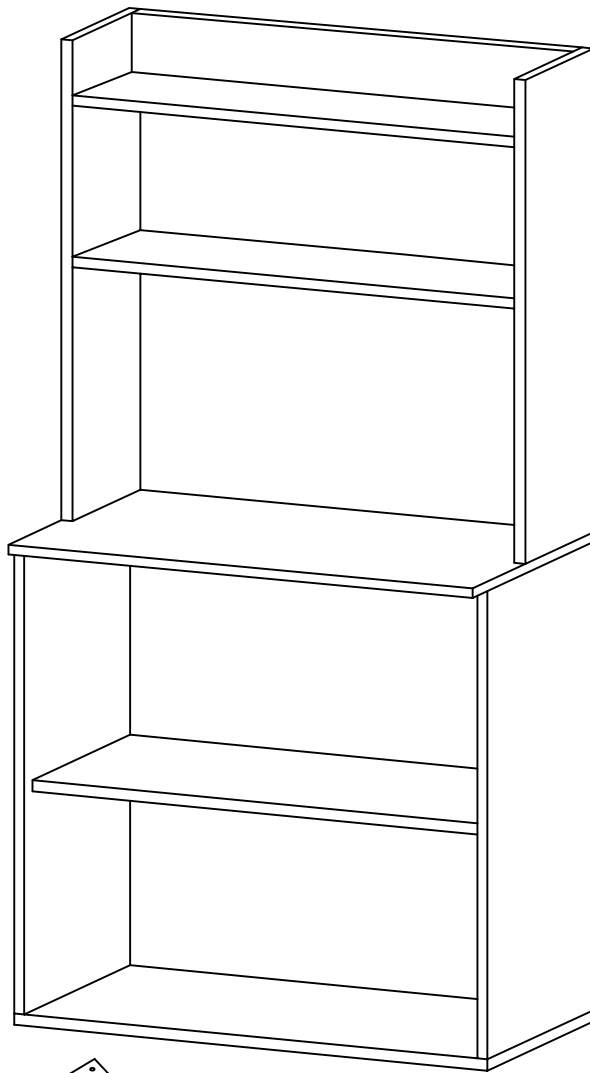
5



6



7



8

