


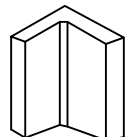
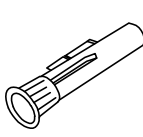



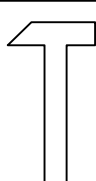

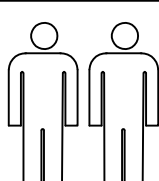


01	450x100x18 mm	x1	03	564x100x18 mm	x1	05	145x100x18 mm	x1
02	450x100x18 mm	x1	04	564x100x18 mm	x2			

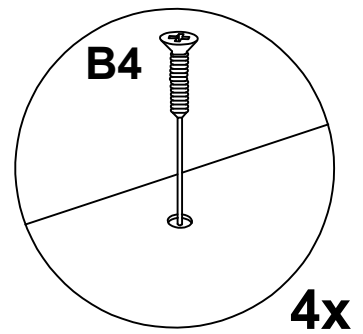
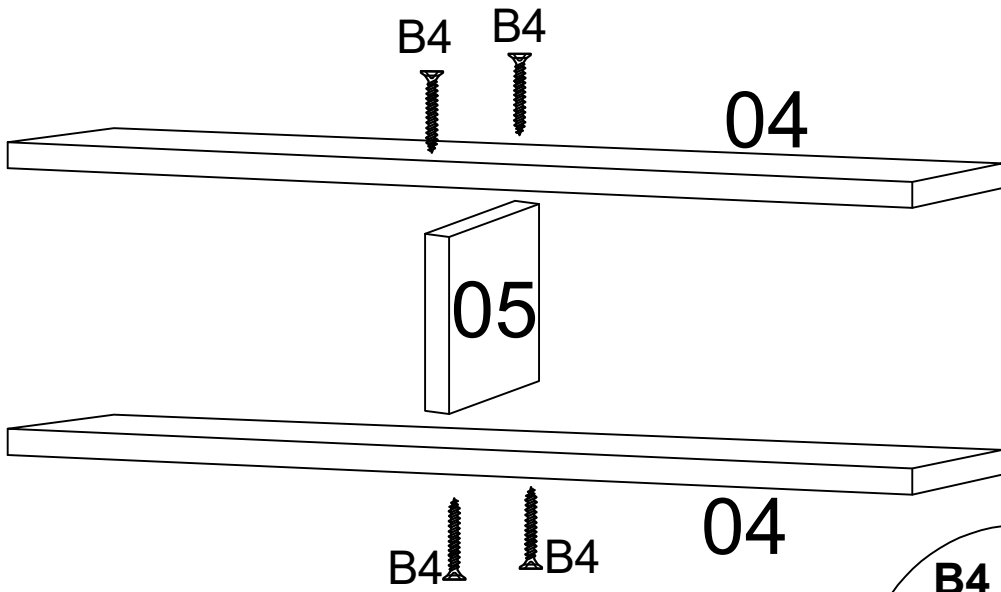
<b>B1</b> 3,5x18 	<b>B4</b> 3,5x50 	<b>B11</b> 5x80 	<b>F2</b> 	<b>F3</b> 
<b>4x</b>	<b>16x</b>	<b>2x</b>	<b>2x</b>	<b>2x</b>

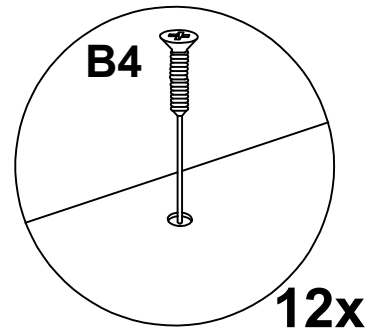
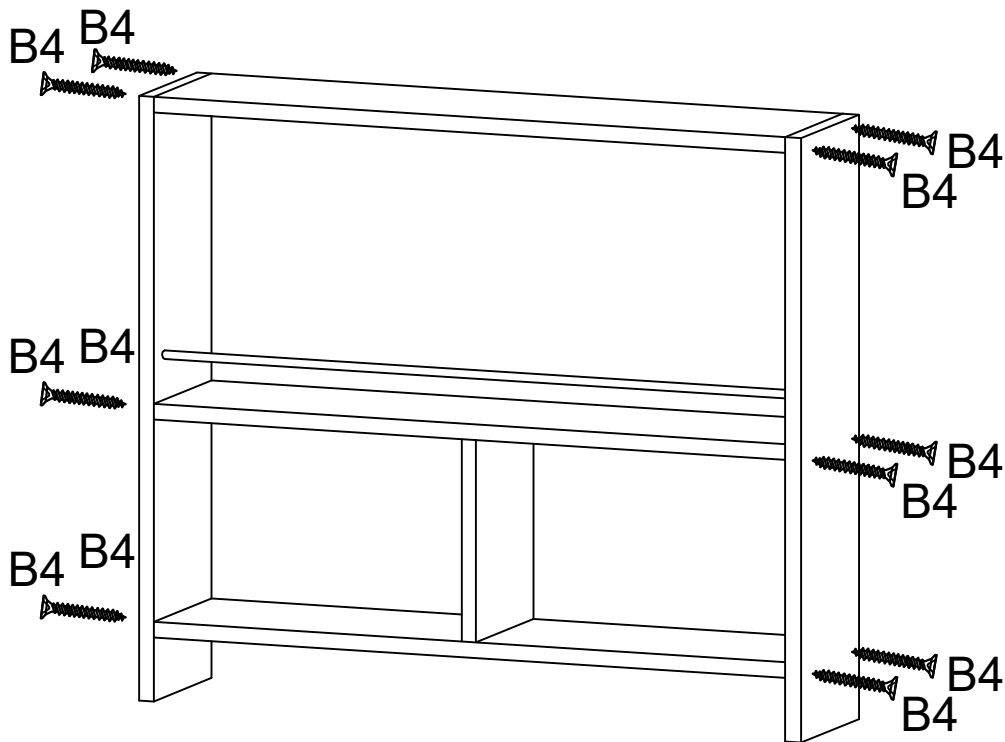
max  
45 min



1



2



3

